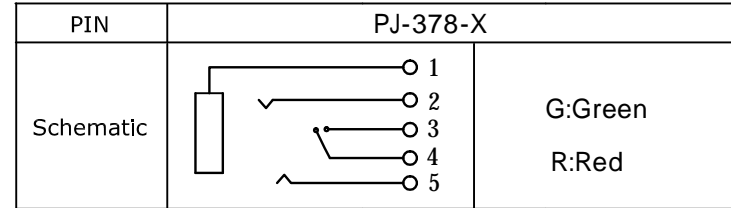
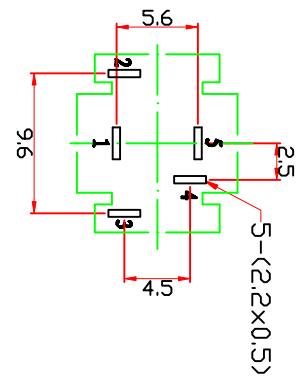
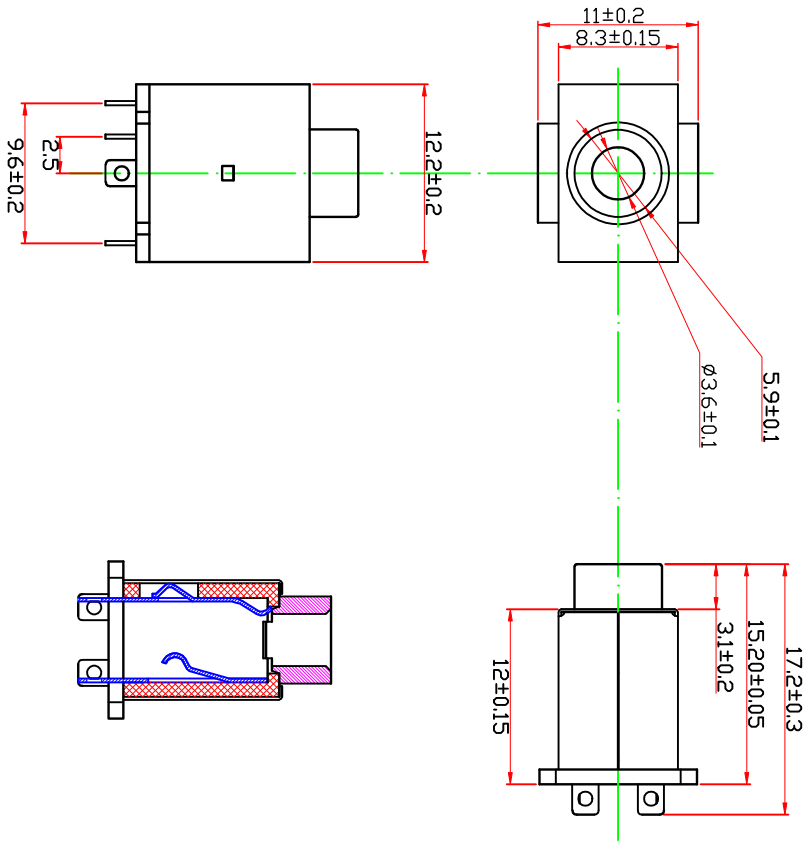


Temperature -20~70 C  
 Rated Load DC 30V 0.3A  
 Contact Resistance <0.03Ω  
 Insulation Resistance >100MΩ  
 Withstand Voltage AC500V(50Hz)/min  
 Actuating Force 2.2~35N  
 Life 3000次



|             | MATERIAL        | PLATING |
|-------------|-----------------|---------|
| terminal 1  | Phosphor Bronze | ag      |
| terminal 2  | Phosphor Bronze | ag      |
| terminal 3  | Phosphor Bronze | ag      |
| terminal 4  | Phosphor Bronze | ag      |
| terminal 5  | Phosphor Bronze | ag      |
| copper bush | Brass           | tin     |
| base        | PBT             |         |
| cover       | PA66            |         |
| Shell       | SUS             |         |
| Plastic     | PA66            |         |



| MARK | DESCRIPTION | DATE | REVISED | APPROVED | UNSPECIFIED TOLERANCES |
|------|-------------|------|---------|----------|------------------------|
| Δx   |             |      |         |          | ANGULAR ±5°            |
| Δx   |             |      |         |          | X.X ±0.2mm             |
| Δx   |             |      |         |          | X.XX ±0.1mm            |
| Δx   |             |      |         |          | X.XXX ±0.05mm          |

|                                       |  |      |  |            |                               |          |
|---------------------------------------|--|------|--|------------|-------------------------------|----------|
| DSND                                  |  | DATE |  | SCALE: N/A | MODEL TYPE:<br>3.5 PHONE JACK |          |
| DWN                                   |  | DATE |  | VIEW:      | PART NO.: PJ-378-X            |          |
| CHKD                                  |  | DATE |  | UNIT: mm   | DWG NO.: PJ-378-X             |          |
| APPD                                  |  | DATE |  | SIZE: A4   |                               |          |
| XKB INDUSTRIAL PRECISION CO., LIMITED |  |      |  | WEIGHT     | SHEET                         | REVISION |
|                                       |  |      |  | 1.0g       | 1/1                           | A0       |

## X-ON Electronics

Largest Supplier of Electrical and Electronic Components

*Click to view similar products for [HDMI, Displayport & DVI Connectors](#) category:*

*Click to view products by [XKB](#) manufacturer:*

Other Similar products are found below :

[1775247-3](#) [2-1932649-5](#) [30-1231](#) [30-528](#) [2069485-1](#) [30-504](#) [30-519](#) [30-542](#) [47648-2000](#) [2002-400](#) [TC142X](#) [1453G1](#) [769-103/021-000](#)  
[1932649-1](#) [233-368NFG6-17NH](#) [G45A19071083HR](#) [233-360NF00-17NH](#) [CP30200GM3B](#) [HYC02-DVI29-371](#) [P136-06NHDV4KBP](#)  
[CP30116](#) [LTWDID-29PFFS-SL8001](#) [46765-1301](#) [1211-0010-201-001](#) [47271-1004](#) [32-1121-BU](#) [DS1117-BN0-TME-002](#) [MHDR2A11004BP](#)  
[EHHDMI2PKG](#) [1903015-3](#) [DS1114-BN0](#) [WPUSBAF](#) [500254-1931](#) [HDMR-19-01-F-SM](#) [47151-1071](#) [1747981-1](#) [0480372000](#) [0482580001](#)  
[D121073-19](#) [472710111](#) [HDMI-S-RA6-SMT-MF-15](#) [P142-000-UP](#) [P134-003](#) [P120-08N](#) [KDMIX-FS1V-WS-B](#) [P142-000-UD](#) [10029449-](#)  
[101RLF](#) [P132-000](#) [P130-000](#) [P142-06N-MICRO](#)