

XKB Product features

Voltage: < 12V

Current: < 20mA

Conduction time: 2ms

Closed circuit resistance: < 1 ohm

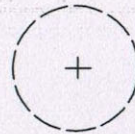
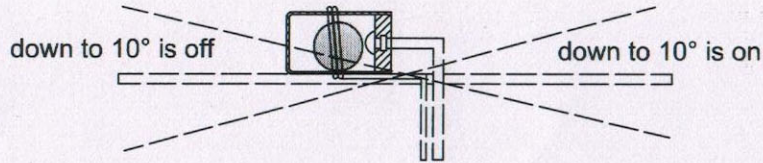
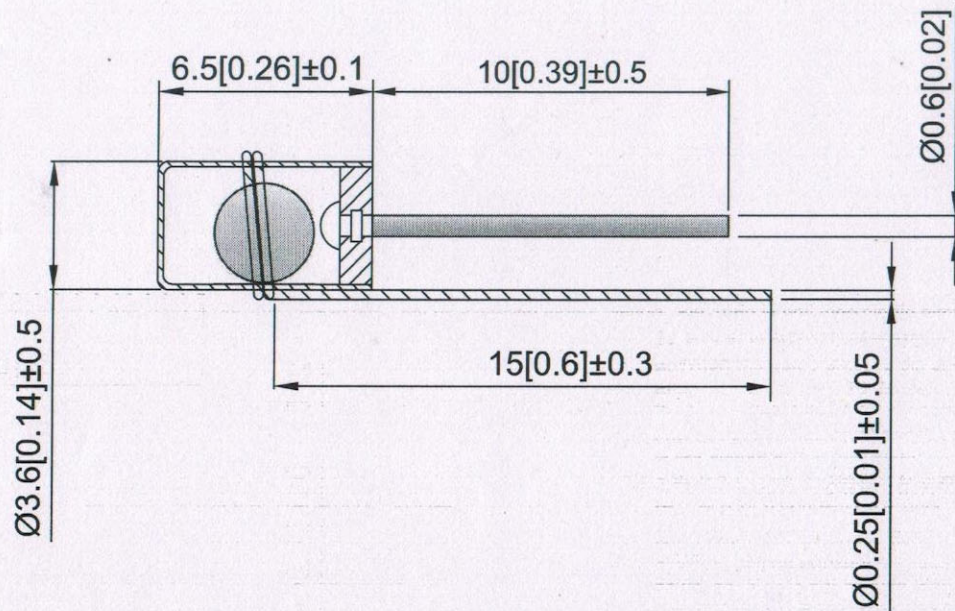
Open circuit resistance: > 1 ohm

High temperature resistance: 120 degrees

Terminal tension: 500gf / min

Humidity: 25~95%RH

Operating life: 100000 times



- Sw-105a is ball type single direction tilt inductive trigger switch.
- Sw-105a为球型单向倾斜感应触发开关。
- When the guide end (no pin end) of the product is inclined and the inclination angle is greater than 10 degrees, the product is in the open circuit (off) state; When the horizontal state of the product changes, the trigger end (gold-plated pin end) is lower than the horizontal and the tilt angle is greater than 10 degrees, the product is in the closed circuit (on) state.
- 当产品导向端（无销端）倾斜且倾斜角度大于10度时，产品处于开路（断开）状态；当产品水平状态发生变化时，触发端（镀金销端）低于水平且倾斜角度大于10度，产品处于闭路（on）状态。
- When placed horizontally, shaking can be easily triggered; When there is no foot down, shaking is not easy to trigger.
- 水平放置时，易触发震动；没有脚的时候，不容易引起摇晃。
- The product of this specification is completely sealed, waterproof and dustproof.
- 本规范产品完全密封、防水、防尘。
- Under normal conditions, the service life of the switch can reach 100000 times.
- 正常情况下，开关使用寿命可达100,000次。
- This product is made of environment-friendly metal material with stable performance.
- 本产品采用环保型金属材料，性能稳定。

ITEM	PAPT NAMF	QTY	MATERIAL	FINISHING	REMARK
⑦					
⑥	Heat shrinkable tube	1	PET		
⑤	Spring	1	Phosphor copper	Tinning	
④	Rubber stopper	1	PLC		
③	BALL	1	Brass	Plate with silver	
②	PIN	1	Brass	Gold-plated	
①	Copper tube	1	Brass	Plate with silver	

广东星坤科技股份有限公司
 日期
 文件工程

MARK	DESCRIPTION	DATE	REVISED	APPROVED	UNSPECIFIED TOLERANCES	DATE	SCALE: N/A	MODEL TYPE: Vibration switch
ΔX					units: mm	DATE	VIEW:	PART NO.:
ΔX					tolerance: X.X ±0.2mm	DATE	UNIT: mm/in	DWG NO.:
ΔX					X.XX ±0.1mm	DATE	SIZE: A4	SW-105AC-10G
MARK					X.XXX ±0.05mm	DATE		WEIGHT SHEET REVISION
						KXB INDUSTRIAL PRECISION CO.,LIMITED		
www.xk-dg.cn www.helloxkb.com www.helloxkb.cn						1.0g 1/1 A0		

X-ON Electronics

Largest Supplier of Electrical and Electronic Components

Click to view similar products for [Vibration Sensors](#) category:

Click to view products by [XKB](#) manufacturer:

Other Similar products are found below :

[D7H-B2](#) [D7H-A1](#) [11031263-00](#) [SCA1000-N1000070-004](#) [LDTC-VERTICAL](#) [11029997-00](#) [11026275-00](#) [SW-460-25N10G](#) [SW-18015PZR-10G12B3](#) [SW-200-15T14G4](#) [SW-18015PZR-10G12B2](#) [1005939-1](#) [1005940-1](#) [1007158-1](#) [3-1004347-0](#) [11032035-00](#) [1767](#) [2-1003744-0](#) [3-1004346-0](#) [1005447-1](#) [1002794](#) [1005935-1](#) [1006015-1](#) [2384](#) [1-1002608-0](#) [1-1003745-0](#) [1-1004347-0](#) [1-1002150-0](#) [1-1002405-0](#) [1-1002785-1](#) [1-1002786-1](#) [1-1002908-0](#) [1-1003744-0](#) [1-1004346-0](#) [1-1004696-0](#) [DT1-028K](#) [FDT1-052K](#) [DT2-028K](#) [DT1-052K](#) [D7A1](#) [D7A2](#) [VBS040100](#) [VBS061100](#) [VBS062100T](#) [BU-23842-000](#) [1001777](#) [SEN-09197](#) [D7S-A0001](#) [2-1002908-0](#) [2-1002145-0](#)