

### XKB Product features

Voltage: < 12V

Current: < 20mA

Conduction time: 2ms

Closed circuit resistance: < 10m ohm

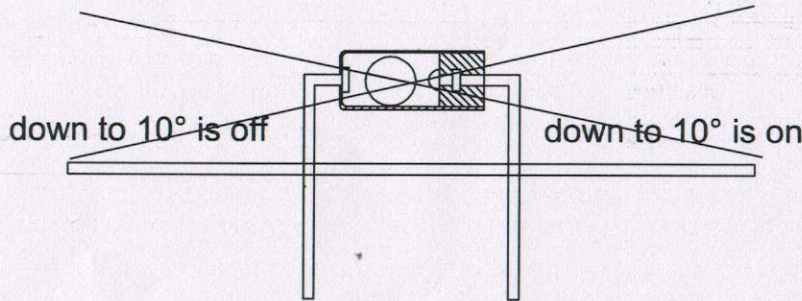
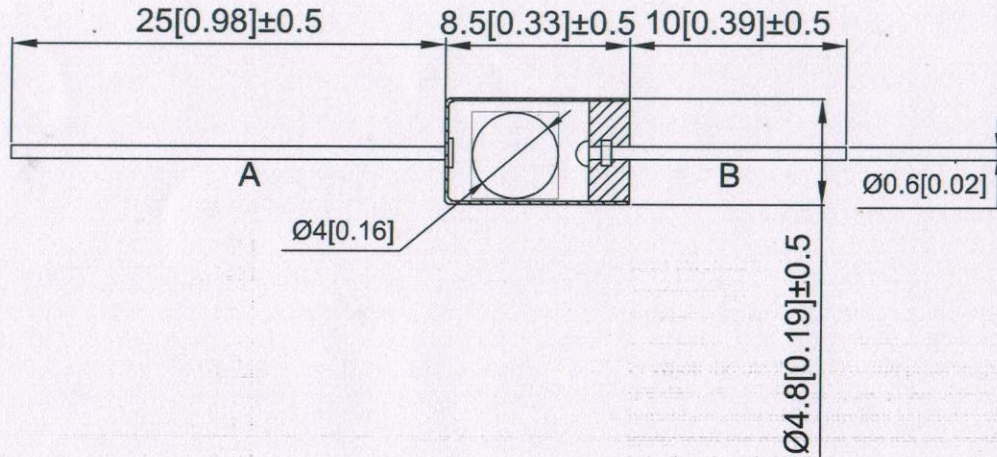
Open circuit resistance: > 10m ohm

High temperature resistance: 120 degrees

Terminal tension: 500gf / min

Humidity: 25~95%RH

Operating life: 100000 times



### XKB Product features

XKB 产品特性

1. SW-460 is a single ball type single direction tilt induction trigger switch.

1. SW-460为单球式单向倾斜感应触发开关。

2. When the electric end of the product guide (foot less) is tilted and the tilt Angle is greater than 10 degrees, the product is in the open, (OFF) state. When the horizontal state of the product is tilted and the trigger end (gold-plated pin end) is lower than the horizontal and the tilt Angle is greater than 10 degrees, the product is in the closed, (ON) state.

2. 当产品导轨（无脚）的电气端倾斜且倾斜角度大于10度时，产品处于打开（关闭）状态。当产品水平状态倾斜，触发端（镀金销端）低于水平且倾斜角度大于10度时，产品处于闭合（开）状态。

3. When placed horizontally, shaking can be easily triggered, and when there is no foot down, shaking is not easy to trigger.

3. 水平放置时，很容易触发震动，没有脚下来时，不容易触发震动。

4. The products of this specification are completely sealed, waterproof and dustproof.

4. 本规范产品全密封、防水、防尘。

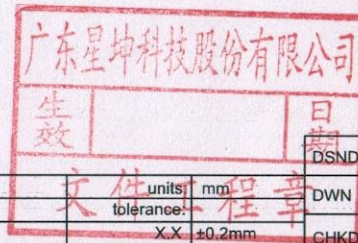
5. Under normal circumstances, the switching life can reach 100,000 times.

5. 正常情况下，开关寿命可达10万次。

6. This product is made of environment-friendly metal material with stable performance. XKB

6. 本产品采用环保金属材料制成，性能稳定。

⑥	Heat shrinkable tube	1	Pet heat shrinkable tube	
⑤	Rubber stopper	1	PLC	
④	BALL	1	Brass	Silver
③	PIN B	1	Brass	Gold
②	PIN A	1	Brass	Nickel
①	Copper pipe	1	Brass	Nickel
ITEM	PAPT NAMF	QTY	MATERIAL	FINISHING



units:	mm
tolerance:	X.X ±0.2mm
	X.XX ±0.1mm
	X.XXX ±0.05mm

DSND	DATE	SCALE: N/A	MODEL TYPE: Ball switch
DWN	DATE	VIEW:	PART NO.:
CHKD	DATE	UNIT: mm/in	DWG NO.: SW-460-25N10G
APPD	DATE	SIZE: A4	WEIGHT: 1.0g
UNSPECIFIED TOLERANCES			SHEET: 1/1
XKB INDUSTRIAL PRECISION CO., LIMITED			REVISION: A0

ΔX					
ΔX					
ΔX					
MARK	DESCRIPTION	DATE	REVISED	APPROVED	
REVISIONS					
www.xk-dg.cn www.helloxkb.com www.helloxkb.cn					

## X-ON Electronics

Largest Supplier of Electrical and Electronic Components

*Click to view similar products for [Vibration Sensors](#) category:*

*Click to view products by [XKB](#) manufacturer:*

Other Similar products are found below :

[D7H-B2](#) [D7H-A1](#) [11031263-00](#) [SCA1000-N1000070-004](#) [LDTC-VERTICAL](#) [11029997-00](#) [11026275-00](#) [1005939-1](#) [1005940-1](#) [1007158-1](#)  
[3-1004347-0](#) [11032035-00](#) [1767](#) [2-1003744-0](#) [3-1004346-0](#) [1005447-1](#) [1002794](#) [1005935-1](#) [1006015-1](#) [2384](#) [1-1002608-0](#) [1-1003745-0](#) [1-](#)  
[1004347-0](#) [1-1002150-0](#) [1-1002405-0](#) [1-1002785-1](#) [1-1002786-1](#) [1-1002908-0](#) [1-1003744-0](#) [1-1004346-0](#) [1-1004696-0](#) [DT1-028K](#) [FDT1-](#)  
[052K](#) [DT2-028K](#) [DT1-052K](#) [D7A1](#) [D7A2](#) [VBS040100](#) [VBS061100](#) [VBS062100T](#) [BU-23842-000](#) [1001777](#) [SEN-09197](#) [D7S-A0001](#) [1766](#)  
[2-1002908-0](#) [2-1002145-0](#) [2-1002150-0](#) [2-1002608-0](#) [2-1002785-1](#)