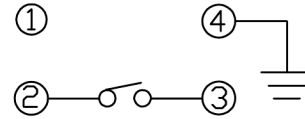
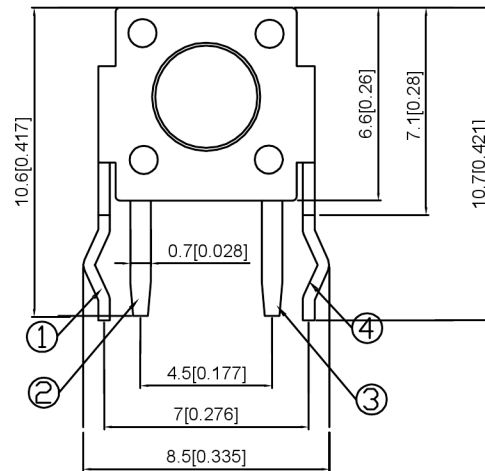
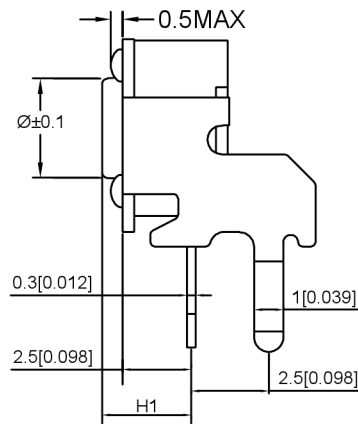


CIRCUIT DIAGRAM



| Code-x | H(mm) | H1(mm) | ∅(mm) |
|--------|-------|--------|-------|
| A      | 4.3   | 3.15   | 3.5   |
| B      | 4.5   | 3.35   | 3.5   |
| C      | 5.0   | 3.85   | 3.5   |
| D      | 5.5   | 4.35   | 3.5   |
| E      | 6.0   | 4.85   | 3.5   |
| F      | 6.5   | 5.35   | 3.4   |
| G      | 7.0   | 5.85   | 3.4   |
| H      | 7.5   | 6.35   | 3.3   |
| I      | 8.0   | 6.85   | 3.3   |
| J      | 8.5   | 7.35   | 3.3   |
| K      | 9.0   | 7.85   | 3.1   |
| L      | 9.5   | 8.35   | 3.1   |
| M      | 10.0  | 8.85   | 3.1   |
| N      | 10.5  | 9.35   | 3.0   |

| Code-x | H(mm) | H1(mm) | ∅(mm) |
|--------|-------|--------|-------|
| O      | 11.0  | 9.85   | 3.0   |
| P      | 11.5  | 10.35  | 3.0   |
| Q      | 12    | 10.85  | 3.0   |
| R      | 12.5  | 11.35  | 3.0   |
| S      | 13.0  | 11.85  | 3.0   |
| T      | 13.5  | 12.35  | 3.0   |
| U      | 14.0  | 12.85  | 3.0   |
| V      | 15.0  | 13.85  | 3.0   |
| W      | 15.5  | 14.35  | 3.0   |
| X      | 16    | 14.85  | 3.0   |
| Y      | 17    | 15.85  | 3.0   |
| Z      | 18    | 16.85  | 3.0   |
| 19     | 19    | 17.85  | 3.0   |



SPECIFICATION

Contact Rating: 50mA, 12V DC  
 Contact Resistance: 100mΩ max  
 Insulation Resistance: 100mΩ min. 500V DC  
 Dielectric Strength: 250V AC/1minute  
 Travel: 0.25mm  
 Operating Temp: -30°C ~ +85°C  
 Storage Temp: -30°C ~ +80°C

|                 |                         |
|-----------------|-------------------------|
| PAPT NO         | TC-1102HJ-X-X           |
| Operating Force | A:100gf B:160gf C:260gf |
| Height          | Code-x                  |

| ITEM | PAPT NAMF | TER.NO | QTY | MATERIAL      | FINISHING         | REMARK |
|------|-----------|--------|-----|---------------|-------------------|--------|
| ⑤    | Terminal  | —      | 2   | Brass (0.30t) | Plating silvering | —      |
| ④    | Contact   | —      | 1   | F.ag/Sus      | Natural           | —      |
| ③    | Base      | —      | 1   | Pa46          | —                 | —      |
| ②    | Cover     | —      | 1   | Spcc          | Plating Nickel    | —      |
| ①    | Keystake  | —      | 1   | Pa46          | —                 | —      |

广东星坤科技股份有限公司

|      |             |
|------|-------------|
| Δx   | 日期          |
| Δx   | 日期          |
| Δx   | 日期          |
| MARK | DESCRIPTION |

文件工程章

| REVISIONS   | DATE | REVISED | APPROVED | UNSPECIFIED TOLERANCES |
|-------------|------|---------|----------|------------------------|
| ANGLAR      |      |         |          | ±5°                    |
| L ≤ 4       |      |         |          | ±0.2                   |
| 4 < L ≤ 16  |      |         |          | ±0.3                   |
| 16 < L ≤ 63 |      |         |          | ±0.4                   |
| L > 63      |      |         |          | ±0.5                   |



|      |  |             |
|------|--|-------------|
| DSND |  | SCALE: N/A  |
| DWN  |  | VIEW:       |
| CHKD |  | UNIT: mm/in |
| APPD |  | SIZE: A4    |

|             |               |         |
|-------------|---------------|---------|
| MODEL TYPE: | TACT SWITCH   |         |
| PART NO.:   | TC-1102HJ-X-X |         |
| DWG NO.:    |               |         |
| WEIGHT      | SHEET         | REVISIC |
|             | 1/1           | A0      |

XKB INDUSTRIAL PRECISION CO., LIMITED

www.helloxkb.com www.helloxkb.cn www.xk-dg.cn

## X-ON Electronics

Largest Supplier of Electrical and Electronic Components

*Click to view similar products for [Tactile Switches](#) category:*

*Click to view products by [XKB](#) manufacturer:*

Other Similar products are found below :

[6407-250V-25273P](#) [ADTSA62NV](#) [B3F-3123](#) [1977177-8](#) [1977266-1](#) [ADTSA63NV](#) [ADTSM21NSVTR](#) [ADTSM25RVTR](#) [ADTSM32NVTR](#)  
[ADTSMW64RV](#) [1977120-6](#) [FSMRA4JHA04](#) [GS4.70F300QP](#) [KSC241J SP DELTA LFS](#) [3FTL600RAS](#) [3FTL640RAS](#) [6407-250V-25343P](#)  
[ADTSM31NVTR](#) [2-1977120-7](#) [TSJW-5.2-260-TR](#) [Y651050400P](#) [KMT011MNGJLHS](#) [70-201.0](#) [ADTSG648NV](#) [ADTSM62KSVTR](#)  
[ADTSM648NV](#) [95C06E3RAT](#) [3ATH9Q](#) [FSMRA8JHA04](#) [HARS0073](#) [Y33R411N9FPLFT](#) [Y33R51139FPLFT](#) [Y31C01402FPLFS](#)  
[PTS645SK50SMTR92](#) [ADTSM32NVB](#) [KMS233GPWTLFG](#) [Y78B64124FP](#) [Y31CJ244KFP LFS](#) [Y96D113G0FP LFS](#) [Y33A812C5FP LFT](#)  
[Y56B2D120FP LFS](#) [Y31C5144KFP LFS](#) [PTS645 DVM83-BN125-2 LFS](#) [B3W 1000G](#) [KSC621G OL LFS](#) [B3F 1002C](#) [B3F 0047H](#) [B3W](#)  
[1002C](#) [B3F 5001G](#) [B3W 1100C](#)