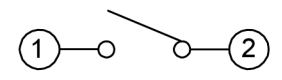


CIRCUIT DIAGRAM



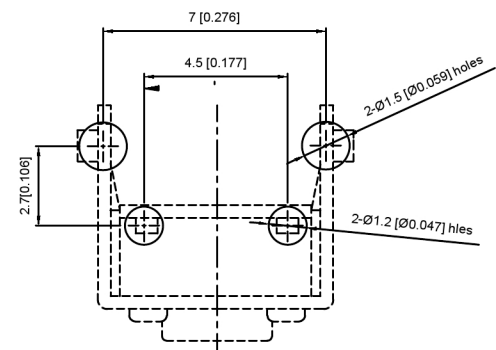
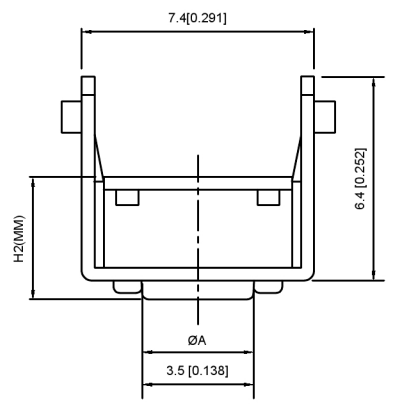
SPECIFICATION

Contact Rating 50mA, 12V DC  
 Contact Resistance 100mΩ max  
 Insulation Resistance 100mΩ min. 500V DC  
 Dielectric Strength 250V AC/1minute  
 Travel 0.25mm  
 Operating Temp -30 ~+85  
 Storage Temp -30 ~+80

H	H1	H2	ØA	L
A1	3.15	4.3	3.5	3.7
AS	3.35	4.5	3.5	
A	3.85	5.0	3.5	
AL	4.35	5.5	3.4	
Q	4.85	6.0	3.4	
QL	5.35	6.5	3.4	
B	5.85	7.0	3.4	
E	6.15	7.3	3.4	
EL	6.35	7.5	3.4	
C	6.85	8.0	3.4	
CL	7.35	8.5	3.4	
DS	7.85	9.0	3.4	
D	8.35	9.5	3.4	
DL	8.85	10.0	3.0	
KS	9.35	10.5	3.0	
K	9.85	11.0	3.0	
KL	10.35	11.5	3.0	
FS	10.85	12.0	3.0	
F	11.35	12.5	3.0	
FL	11.85	13.0	3.0	
G	12.35	13.5	3.0	
O	12.85	14.0	3.0	
X	13.35	14.5	3.0	
Y	13.85	15.0	3.0	
Z	14.85	16.0	3.0	
J	15.15	16.3	3.0	
I	15.85	17.0	3.0	

P.C.B MOUNTING PATTERN DIMENSION

The following soldering patterns are recommended for reflow soldering



PAPT NO	TC-1102N-X-X-X
Operating Force	A:100gf B:160gf C:260gf D:450gf
Height	H
Color	B:Black BR:Brown R:Red O:Orange G:Green Y:Yellow BL:Blue W:White

ITEM	PAPT NAMF	TER.NO	QTY	MATERIAL	FINISHING	REMARK
⑤	Terminal	—	2	Brass 0.30t	Plating silvering	—
④	Contact	—	1	F.ag/Sus	Natural	—
③	Base	—	1	Ppa		—
②	Cover	—	1	Spcc	Plating Nickel	—
①	Keystake	—	1	Ppa		—

DSND		DATE		SCALE: N/A	MODEL TYPE: TACT SWITCH
DWN		DATE		VIEW:	PART NO.:
CHKD		DATE		UNIT: mm/in	DWG NO.:
APPD		DATE		SIZE: A4	TC-1102N-X-X-X
				XKB INDUSTRIAL PRECISION CO., LIMITED	WEIGHT 1.0g
					SHEET 1/1
					REVISION A0

MARK	DESCRIPTION	DATE	REVISED	APPROVED	units: mm	tolerance:
ΔX					X.X	±0.2mm
ΔX					X.XX	±0.1mm
ΔX					X.XXX	±0.05mm
						UNSPECIFIED TOLERANCES

## X-ON Electronics

Largest Supplier of Electrical and Electronic Components

*Click to view similar products for [Tactile Switches](#) category:*

*Click to view products by [XKB](#) manufacturer:*

Other Similar products are found below :

[6407-250V-25273P](#) [ADTSA62NV](#) [B3F-3123](#) [1977177-8](#) [1977266-1](#) [ADTSA63NV](#) [ADTSM21NSVTR](#) [ADTSM25RVTR](#) [ADTSM32NVTR](#)  
[ADTSMW64RV](#) [1977120-6](#) [FSMRA4JHA04](#) [GS4.70F300QP](#) [KSC241J SP DELTA LFS](#) [3FTL600RAS](#) [3FTL640RAS](#) [6407-250V-25343P](#)  
[ADTSM31NVTR](#) [2-1977120-7](#) [TSJW-5.2-260-TR](#) [Y651050400P](#) [KMT011MNGJLHS](#) [70-201.0](#) [ADTSG648NV](#) [ADTSM62KSVTR](#)  
[ADTSM648NV](#) [95C06E3RAT](#) [3ATH9Q](#) [FSMRA8JHA04](#) [HARS0073](#) [Y33R411N9FPLFT](#) [Y33R51139FPLFT](#) [Y31C01402FPLFS](#)  
[PTS645SK50SMTR92](#) [ADTSM32NVB](#) [KMS233GPWTLFG](#) [Y78B64124FP](#) [Y31CJ244KFP LFS](#) [Y96D113G0FP LFS](#) [Y33A812C5FP LFT](#)  
[Y56B2D120FP LFS](#) [Y31C5144KFP LFS](#) [PTS645 DVM83-BN125-2 LFS](#) [B3W 1000G](#) [KSC621G OL LFS](#) [B3F 1002C](#) [B3F 0047H](#) [B3W](#)  
[1002C](#) [B3F 5001G](#) [B3W 1100C](#)