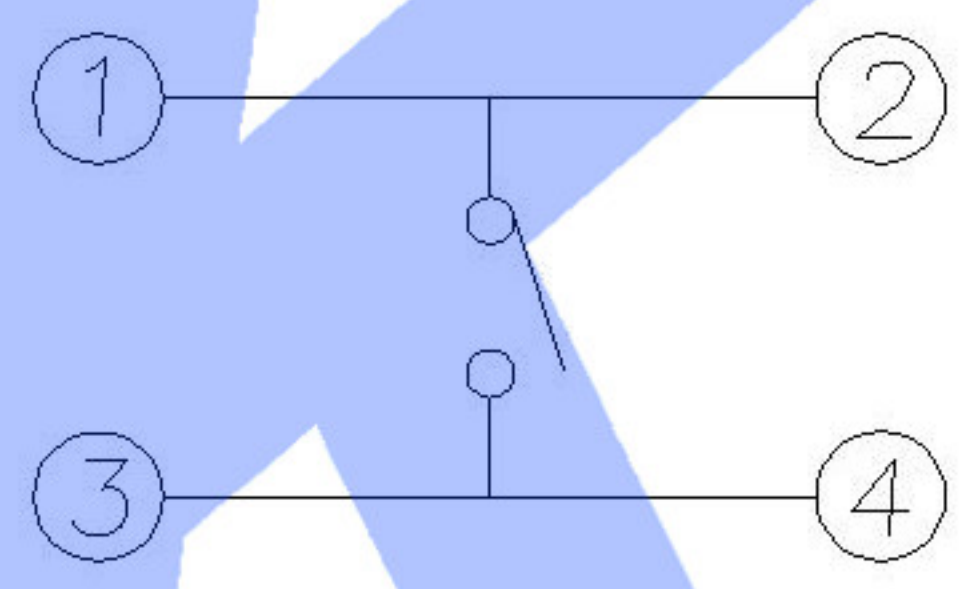


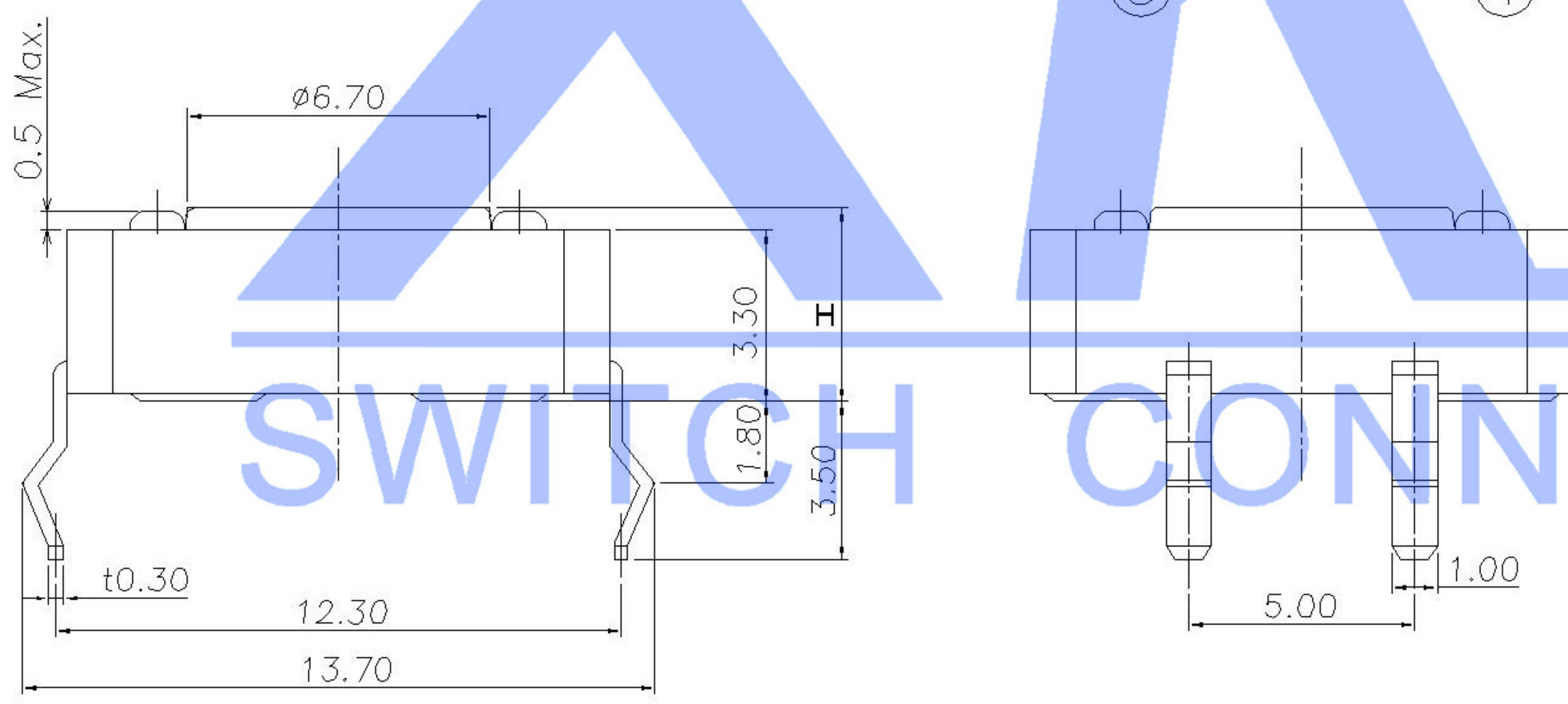
Circuit diagram



| Code-X | H    | Code-X | H    |
|--------|------|--------|------|
| A      | 4.3  | O      | 11.0 |
| B      | 4.5  | P      | 11.5 |
| C      | 5.0  | Q      | 12   |
| D      | 5.5  | R      | 12.5 |
| E      | 6.0  | S      | 13.0 |
| F      | 6.5  | T      | 13.5 |
| G      | 7.0  | U      | 14.0 |
| H      | 7.5  | V      | 15.0 |
| I      | 8.0  | W      | 16   |
| J      | 8.5  | X      | 17   |
| K      | 9.0  | Y      | 18   |
| L      | 9.5  | Z      | 19   |
| M      | 10.0 |        |      |
| N      | 10.5 |        |      |

**SPECIFICATION**

Contact Rating: 50mA, 12V DC  
 Contact Resistance: 100mΩ max  
 Insulation Resistance: 100mΩ min. 500V DC  
 Dielectric Strength: 250V AC/1minute  
 Travel: 0.25mm  
 Operating Temp: -30°C ~ +85°C  
 Storage Temp: -30°C ~ +80°C



|                 |                     |
|-----------------|---------------------|
| PAPT NO         | TC-1103-X-X         |
| Operating Force | B: 160gf / C: 260gf |
| Height          | Code-X              |

| ITEM | PAPT NAMF | TER,NO | QTY | MATERIAL      | FINISHING         | REMARK |
|------|-----------|--------|-----|---------------|-------------------|--------|
| ⑤    | Terminal  | —      | 4   | Brass (0.30t) | Plating silvering | —      |
| ④    | Contact   | —      | 1   | F.ag/Sus      | Natural           | —      |
| ③    | Base      | —      | 1   | Pa46          | —                 | —      |
| ②    | Cover     | —      | 1   | Spcc          | Plating Nickel    | —      |
| ①    | Keystake  | —      | 1   | Pa46          | —                 | —      |

|      |  |      |  |  |                                   |
|------|--|------|--|--|-----------------------------------|
| DSND |  | DATE |  | SCALE: N/A                                   | MODEL TYPE:<br><b>TACT SWITCH</b> |
| DWN  |  | DATE |  | VIEW:  | PART NO.:                         |
| CHKD |  | DATE |  | UNIT: mm                                     | DWG NO.:<br><b>TC-1103-X-X</b>    |
| APPD |  | DATE |  | SIZE: A4                                     | WEIGHT<br>1.0g                    |
|      |  |      |  | <b>XKB INDUSTRIAL PRECISION CO., LIMITED</b> | SHEET<br>1/1                      |
|      |  |      |  |  | REVISION<br>A0                    |

| MARK | DESCRIPTION | DATE | REVISED | APPROVED |
|------|-------------|------|---------|----------|
| ΔX   |             |      |         |          |
| ΔX   |             |      |         |          |
| ΔX   |             |      |         |          |

units: mm  
 tolerance:  
 X.X ±0.2mm  
 X.XX ±0.1mm  
 X.XXX ±0.05mm  
 UNSPECIFIED TOLERANCES

## X-ON Electronics

Largest Supplier of Electrical and Electronic Components

*Click to view similar products for [Tactile Switches](#) category:*

*Click to view products by [XKB](#) manufacturer:*

Other Similar products are found below :

[KMR633NG LFG](#) [5GTH92001](#) [5GTH9202242](#) [6426-201-11343](#) [MJ1226](#) [MJTP1109B](#) [MJTP1138EAUTR](#) [MJTP1230BL](#) [MJTPSHW](#)  
[GS6.90F300QP](#) [1-1977223-0](#) [1-1977120-4](#) [ADTSA62NV](#) [ADTSA62RV](#) [ADTSA63KV](#) [ADTSA644NV](#) [ADTSM24NVTR](#) [ADTSMW66NV](#)  
[ADTSMW67RV](#) [ATM533VTR](#) [1571300-3](#) [B3F-3123](#) [B3F-6055A](#) [B3F-B32-01-KIT](#) [1977177-8](#) [1977266-1](#) [2-1977223-4](#) [2-1977223-7](#)  
[ADTS644KV](#) [ADTSA61RV](#) [ADTSA62KV](#) [ADTSA63NV](#) [ADTSA63RV](#) [ADTSA65NV](#) [ADTSM21NSVTR](#) [ADTSM25RVTR](#)  
[ADTSM31RVTR](#) [ADTSM32NVTR](#) [ADTSM61YVTR](#) [ADTSM63SVTR](#) [ADTSM644KVTR](#) [ADTSMW64RV](#) [ADTSMW69NV](#)  
[FSMRA4JHA04](#) [GS4.70F300QP](#) [D38999/20JJ37SA](#) [TL1105B](#) [TL1105J](#) [ATH447K2Q](#) [ATM534VTR](#)