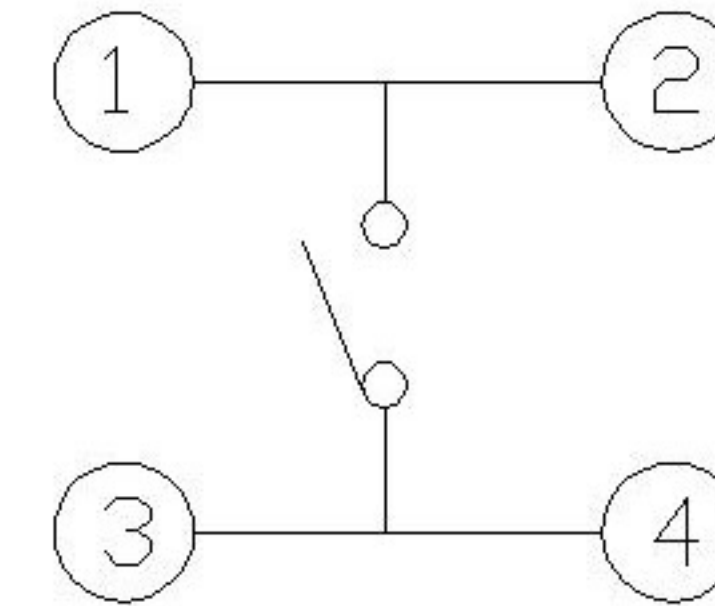
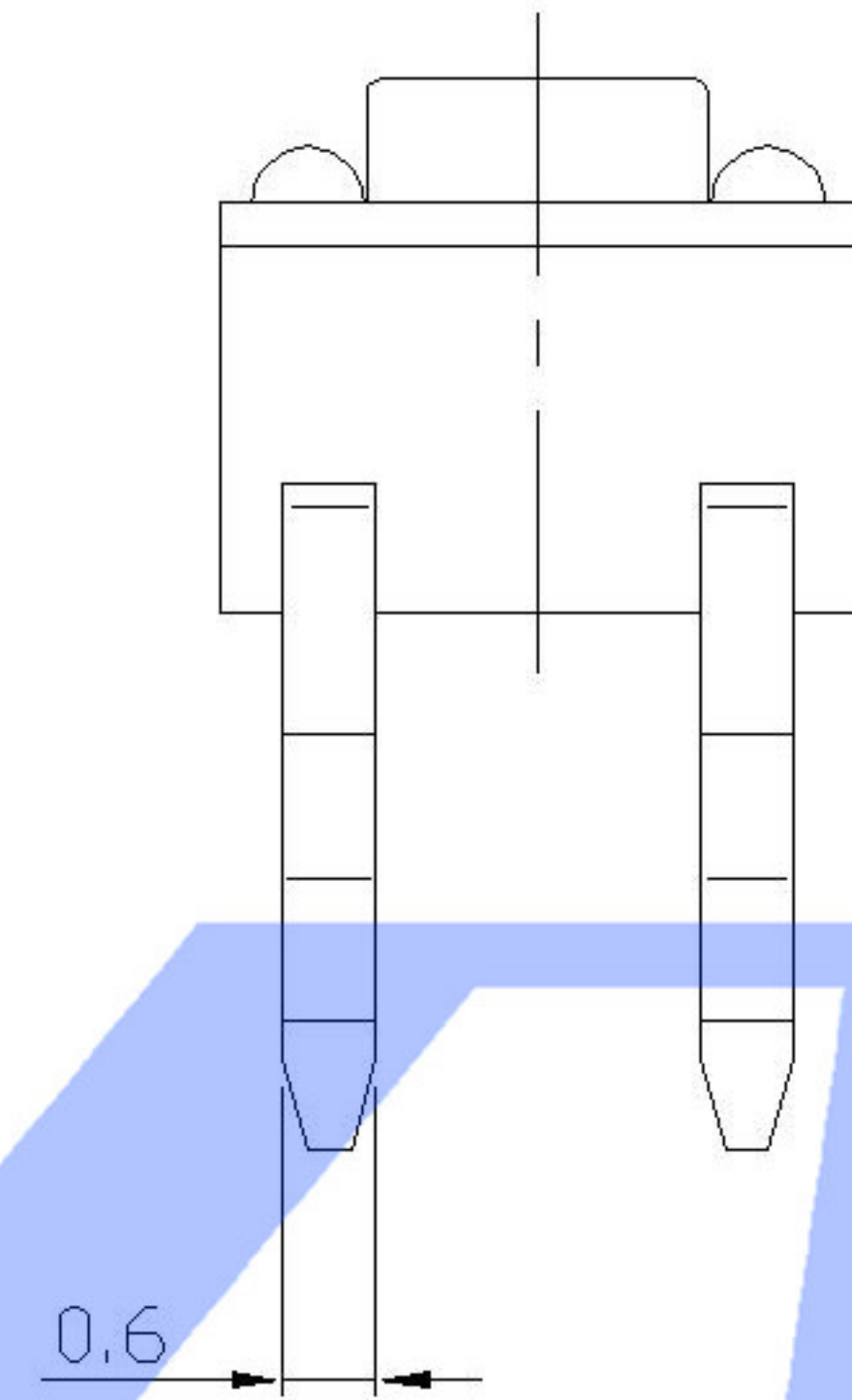
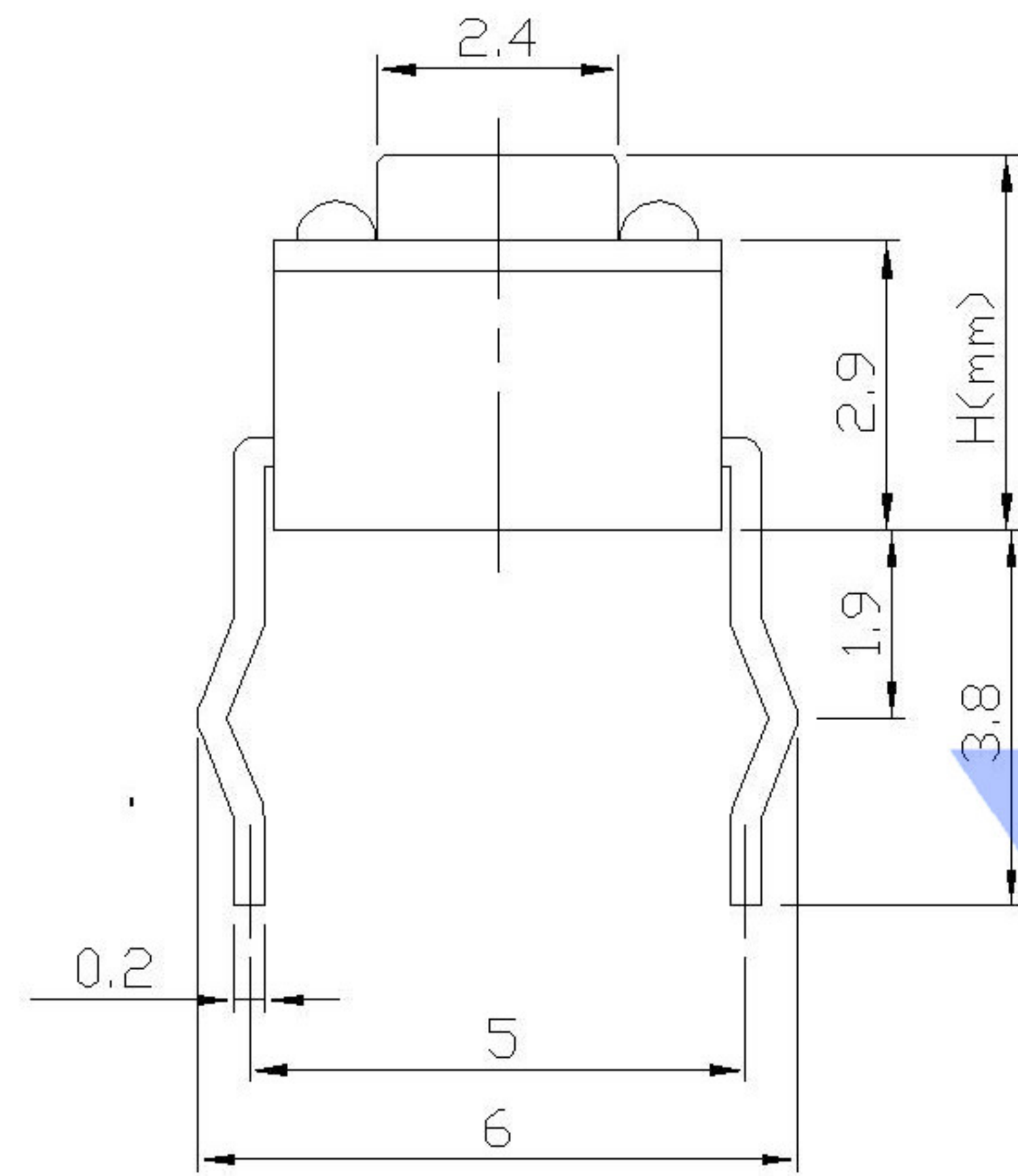


CIRCUIT DIAGRAM

| Code-X | H |
|--------|-----|
| A | 3.8 |
| B | 4.3 |
| C | 4.5 |
| D | 5.0 |
| E | 5.5 |
| F | 6.0 |
| G | 6.5 |
| H | 7.0 |
| I | 7.5 |
| J | 8.0 |
| K | 8.5 |
| L | 9.0 |



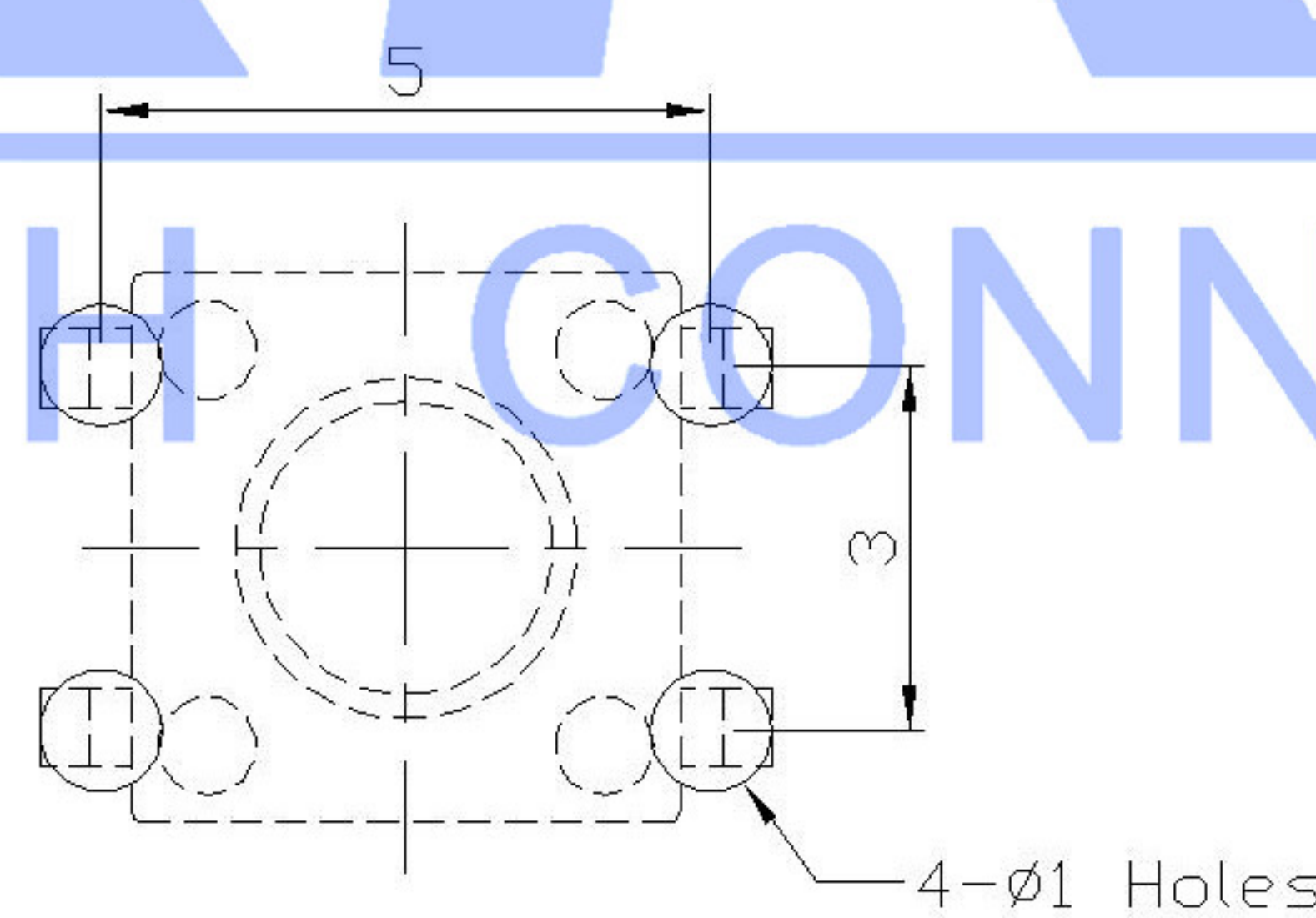
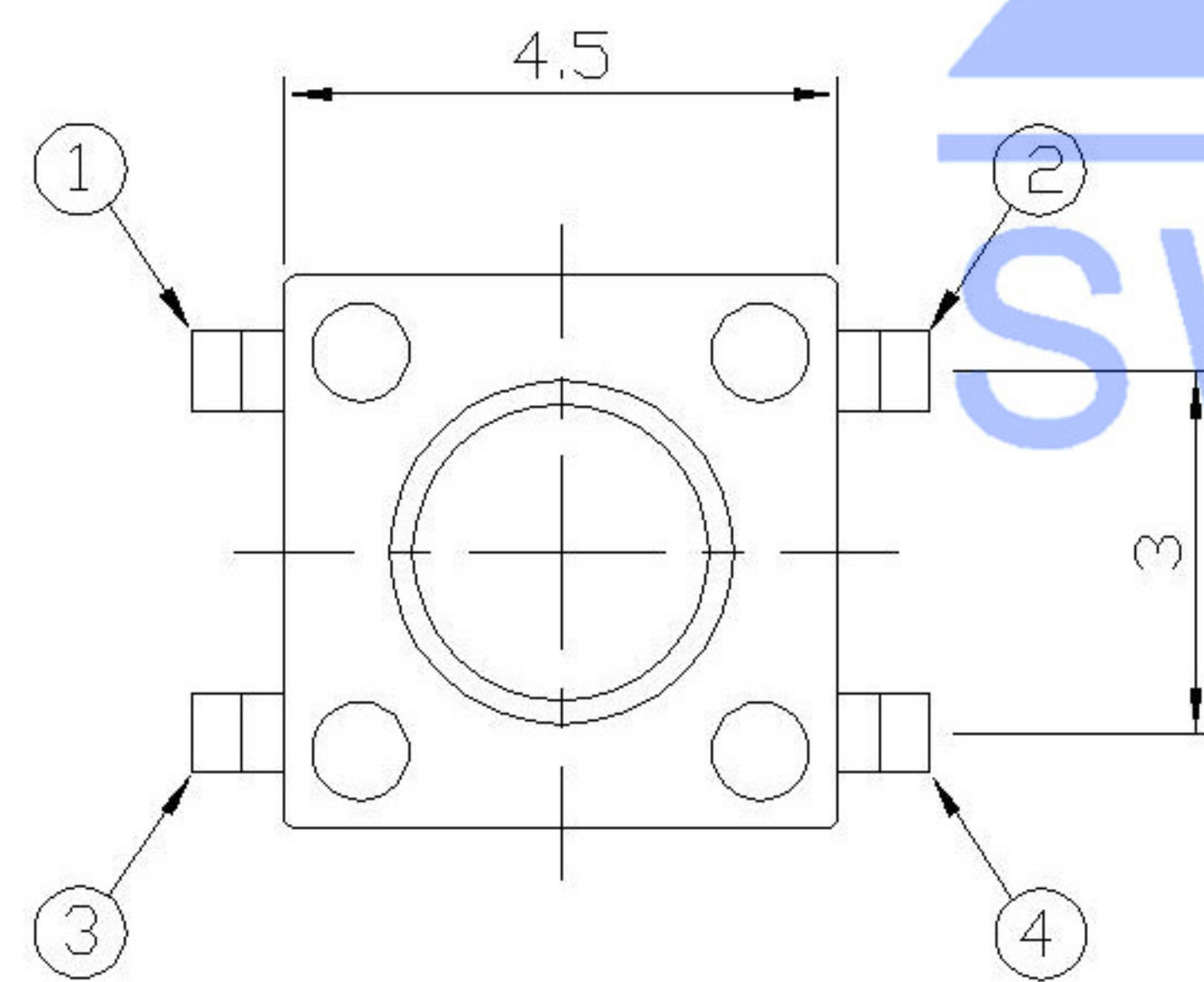
XKB

P.C.B MOUNTING PATTERN DIMENSION
The following soldering patterns are recommended for reflow soldering

SPECIFICATION

Contact Rating 50mA 12V DC
Contact Resistance 100mΩ max.
Insulation Resistance 100MΩ min. 500V DC
Dielectric Strength 250V AC/1 minute
Travel 0.25mm
Operating Temp. -25°C ~ +70°C
Storage Temp. -30°C ~ +80°C

| | |
|-----------------|----------------------------|
| PAPT NO | TC-1109-X-X |
| Operating Force | A: 100gf B: 160gf C: 260gf |
| Height | Code-X |



SWITCH CONNECTOR

| ITEM | PAPT NAMF | TER.NO | QTY | MATERIAL | FINISHING | REMARK |
|------|-----------|--------|-----|---------------|------------|--------|
| ⑤ | Terminal | — | 4 | Brass (0.30t) | ag Plated | — |
| ④ | Contact | — | 1 | F.ag/SUS | — | — |
| ③ | Base | — | 1 | PA46 | — | — |
| ② | Cover | — | 1 | Brass | Tin plated | — |
| ① | Keystake | — | 1 | PA46 | — | — |

| | | | |
|--------------------------------------|------|------------|--------------------------------------|
| DSND | DATE | SCALE: N/A | MODEL TYPE: TACT SWITCH |
| DWN | DATE | VIEW: | PART NO.: |
| CHKD | DATE | UNIT: mm | DWG NO.: |
| APPD | DATE | SIZE: A4 | TC-1109-X-X |
| XKB INDUSTRIAL PRECISION CO.,LIMITED | | | WEIGHT SHEET REVISION 1.0g 1/1 A0 |

| MARK | DESCRIPTION | DATE | REVISED | APPROVED | units: mm tolerance: |
|---|-------------|------|---------|----------|-------------------------|
| △ X | | | | | X.X ±0.2mm |
| △ X | | | | | X.XX ±0.1mm |
| △ X | | | | | X.XXX ±0.05mm |
| REVISIONS | | | | | UNSPECIFIED TOLERANCES |
| www.xk-dg.cn www.helloxkb.com www.helloxkb.cn | | | | | |

X-ON Electronics

Largest Supplier of Electrical and Electronic Components

Click to view similar products for [Tactile Switches](#) category:

Click to view products by [XKB](#) manufacturer:

Other Similar products are found below :

[KMR633NG](#) [LFG](#) [5GTH92001](#) [5GTH9202242](#) [6426-201-11343](#) [MJ1226](#) [MJTP1109B](#) [MJTP1138EAUTR](#) [MJTP1230BL](#) [MJTPSHW](#)
[GS6.90F300QP](#) [1-1977223-0](#) [1-1977120-4](#) [ADTSA62NV](#) [ADTSA62RV](#) [ADTSA63KV](#) [ADTSA644NV](#) [ADTSM24NVTR](#) [ADTSMW66NV](#)
[ADTSMW67RV](#) [ATM533VTR](#) [1571300-3](#) [B3F-3123](#) [B3F-6055A](#) [B3F-B32-01-KIT](#) [1977177-8](#) [1977266-1](#) [2-1977223-4](#) [2-1977223-7](#)
[ADTS644KV](#) [ADTSA61RV](#) [ADTSA62KV](#) [ADTSA63NV](#) [ADTSA63RV](#) [ADTSA65NV](#) [ADTSM21NSVTR](#) [ADTSM25RVTR](#)
[ADTSM31RVTR](#) [ADTSM32NVTR](#) [ADTSM61YVTR](#) [ADTSM63SVTR](#) [ADTSM644KVTR](#) [ADTSMW64RV](#) [ADTSMW69NV](#)
[FSMRA4JHA04](#) [GS4.70F300QP](#) [D38999/20JJ37SA](#) [TL1105B](#) [TL1105J](#) [ATH447K2Q](#) [ATM534VTR](#)