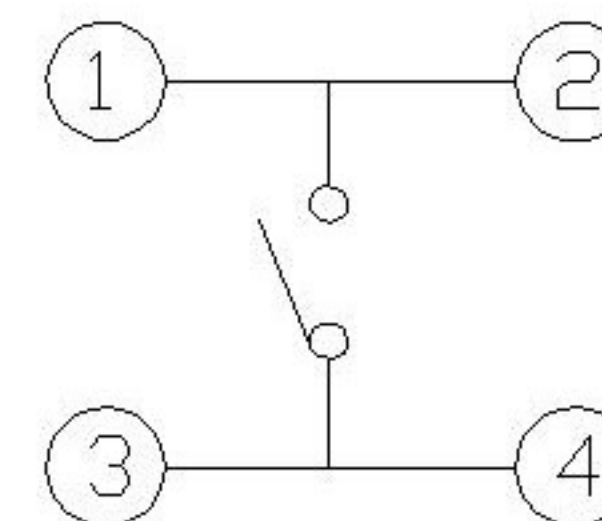
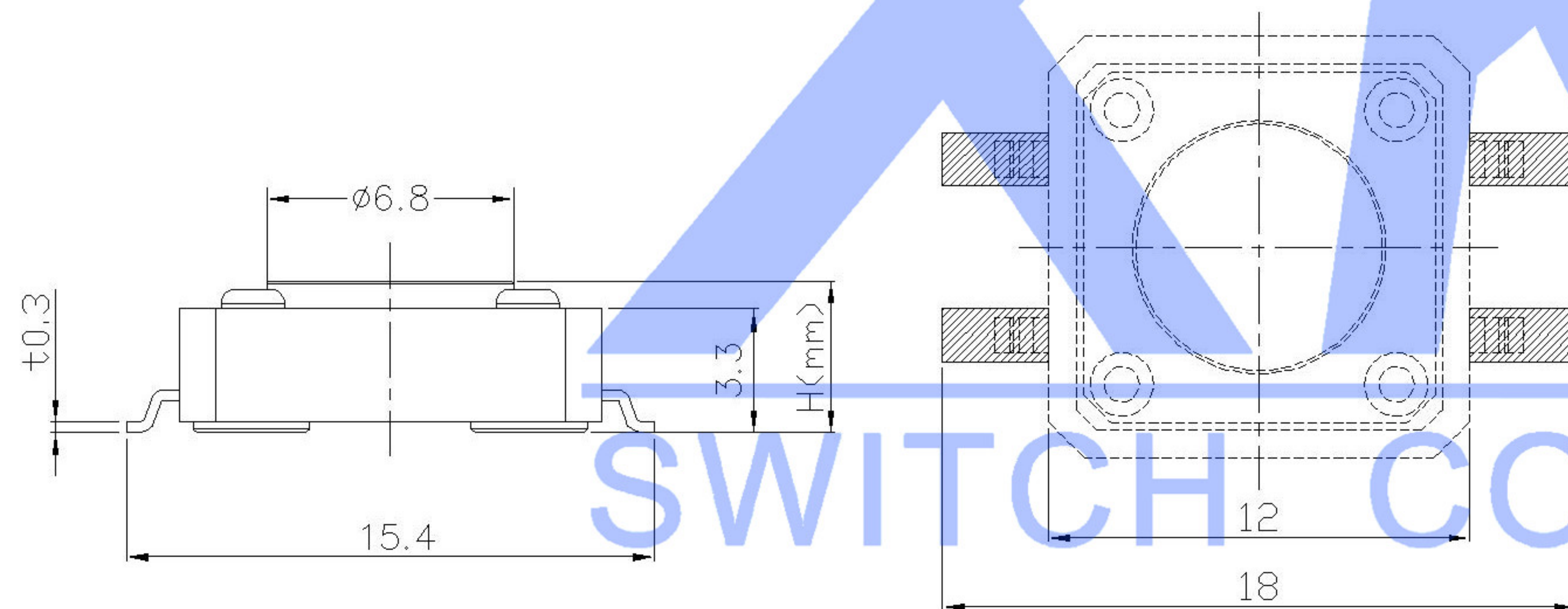


CIRCUIT DIAGRAM



| Code-X | H | Code-X | H |
|--------|------|--------|------|
| A | 4.3 | O | 11.0 |
| B | 4.5 | P | 11.5 |
| C | 5.0 | Q | 12 |
| D | 5.5 | R | 12.5 |
| E | 6.0 | S | 13.0 |
| F | 6.5 | T | 13.5 |
| G | 7.0 | U | 14.0 |
| H | 7.5 | V | 15.0 |
| I | 8.0 | W | 15.5 |
| J | 8.5 | X | 16 |
| K | 9.0 | Y | 17 |
| L | 9.5 | Z | 18 |
| M | 10.0 | 19 | 19 |
| N | 10.5 | | |

P.C.B MOUNTING PATTERN DIMENSION
The following soldering patterns are recommended for reflow soldering



SPECIFICATION

Contact Rating: 50mA,12V DC
 Contact Resistance: 100mΩ max
 Insulation Resistance: 100mΩ min.500V DC
 Dielectric Strength: 250V AC/1minute
 Travel: 0.25mm
 Operating Temp: -30°C~+85°C
 Storage Temp: -30°C~+80°C

| | |
|-----------------|-------------------|
| PAPT NO | TS-1103S-X-X |
| Operating Force | B: 160gf C: 260gf |
| Height | Code-X |
| | |
| | |

| ITEM | PAPT NAMF | TER.NO | QTY | MATERIAL | FINISHING | REMARK |
|------|-----------|--------|-----|---------------|-------------------|--------|
| ⑤ | Terminal | — | 4 | Brass (0.30t) | Plating silvering | — |
| ④ | Contact | — | 1 | F.ag/Sus | Natural | — |
| ③ | Base | — | 1 | Pa46 | — | — |
| ② | Cover | — | 1 | Spcc | Plating Nickel | — |
| ① | Keystake | — | 1 | Pa46 | — | — |

| MARK | DESCRIPTION | DATE | REVISED | APPROVED | units: mm | DSND | DATE | SCALE: N/A | MODEL TYPE: TACT SWITCH |
|------|-------------|------|---------|----------|------------------------|--------------------------------------|------|------------|-------------------------|
| ΔX | | | | | tolerance: | DWN | DATE | VIEW: | PART NO.: |
| ΔX | | | | | X.X ±0.2mm | CHKD | DATE | UNIT: mm | DWG NO.: |
| ΔX | | | | | X.XX ±0.1mm | APPD | DATE | SIZE: A4 | TS-1103S-X-X |
| | | | | | X.XXX ±0.05mm | XKB INDUSTRIAL PRECISION CO.,LIMITED | | | WEIGHT 1.0g |
| | | | | | UNSPECIFIED TOLERANCES | | | | SHEET 1/1 |
| | | | | | | | | | REVISION A0 |

X-ON Electronics

Largest Supplier of Electrical and Electronic Components

Click to view similar products for [Tactile Switches](#) category:

Click to view products by [XKB](#) manufacturer:

Other Similar products are found below :

[KMR633NG LFG](#) [5GTH92001](#) [5GTH9202242](#) [6426-201-11343](#) [MJ1226](#) [MJTP1109B](#) [MJTP1138EAUTR](#) [MJTP1230BL](#) [MJTPSHW](#)
[GS6.90F300QP](#) [1-1977223-0](#) [1-1977120-4](#) [ADTSA62NV](#) [ADTSA62RV](#) [ADTSA63KV](#) [ADTSA644NV](#) [ADTSM24NVTR](#) [ADTSMW66NV](#)
[ADTSMW67RV](#) [ATM533VTR](#) [1571300-3](#) [B3F-3123](#) [B3F-6055A](#) [B3F-B32-01-KIT](#) [1977177-8](#) [1977266-1](#) [2-1977223-4](#) [2-1977223-7](#)
[ADTS644KV](#) [ADTSA61RV](#) [ADTSA62KV](#) [ADTSA63NV](#) [ADTSA63RV](#) [ADTSA65NV](#) [ADTSM21NSVTR](#) [ADTSM25RVTR](#)
[ADTSM31RVTR](#) [ADTSM32NVTR](#) [ADTSM61YVTR](#) [ADTSM63SVTR](#) [ADTSM644KVTR](#) [ADTSMW64RV](#) [ADTSMW69NV](#)
[FSMRA4JHA04](#) [GS4.70F300QP](#) [D38999/20JJ37SA](#) [TL1105B](#) [TL1105J](#) [ATH447K2Q](#) [ATM534VTR](#)