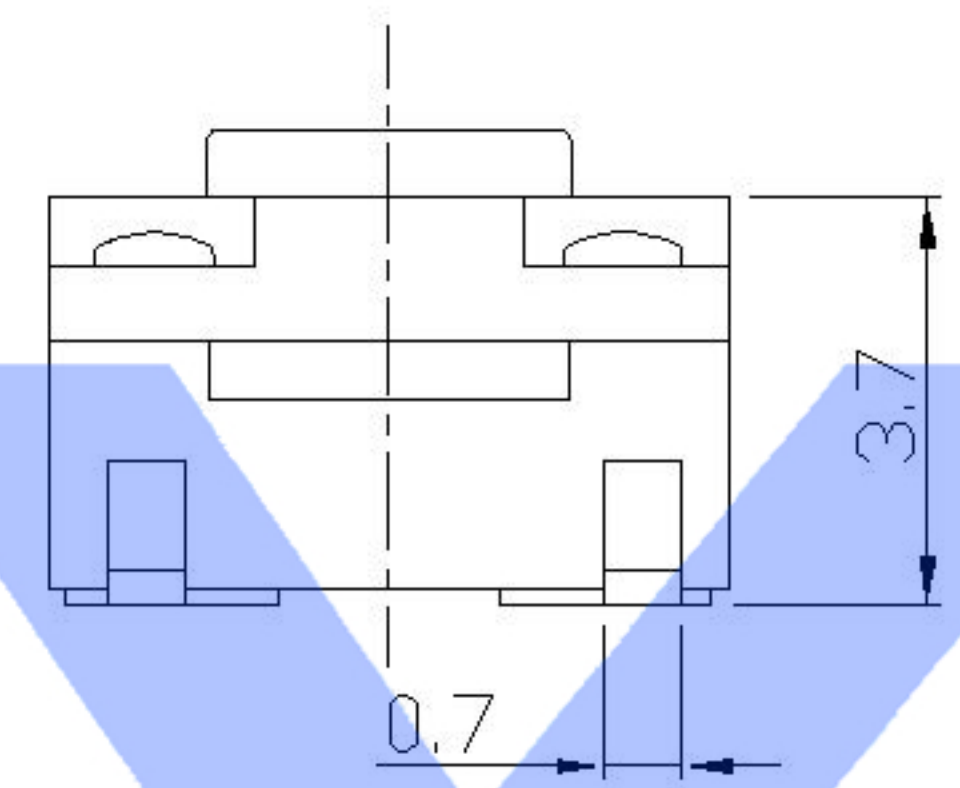
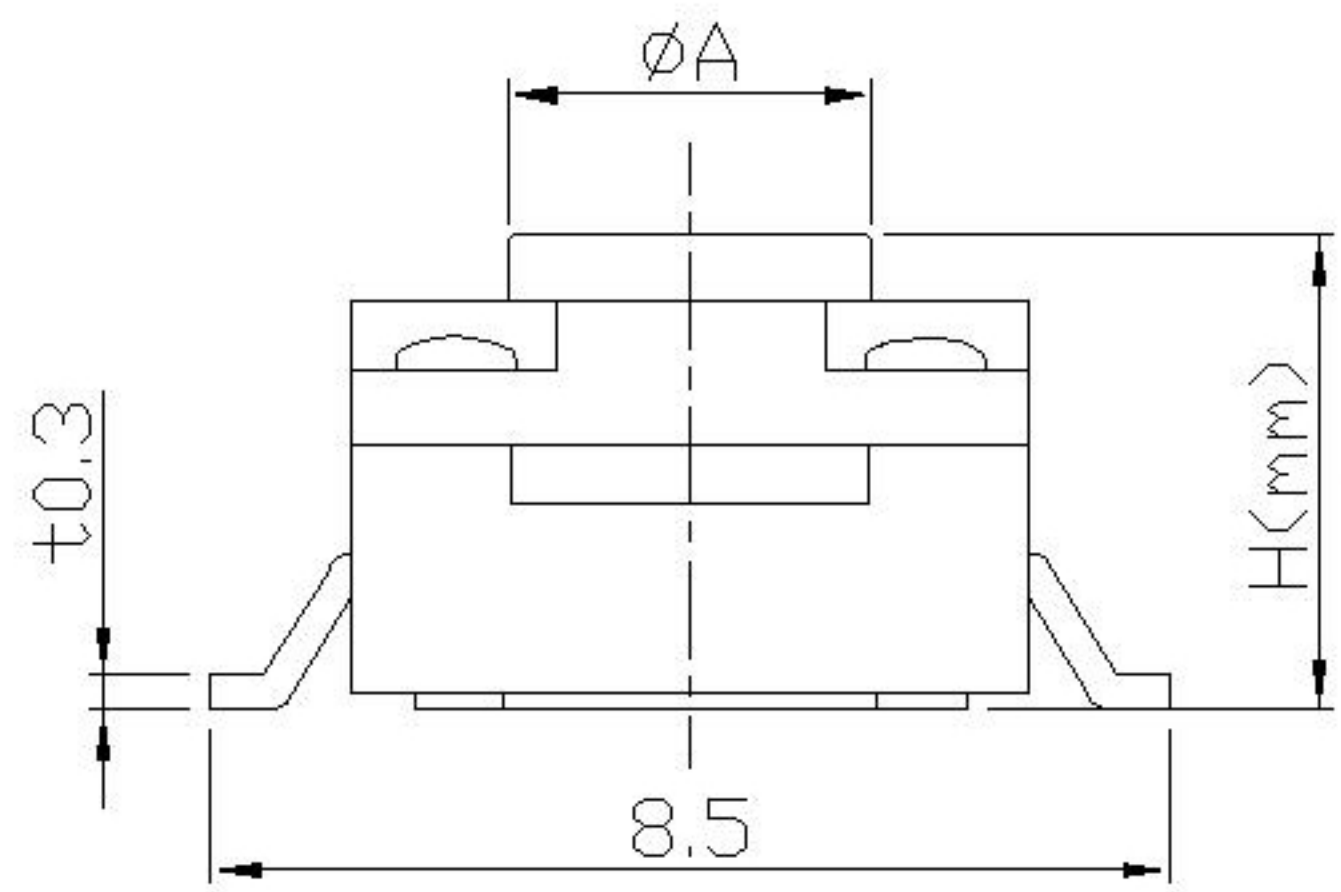
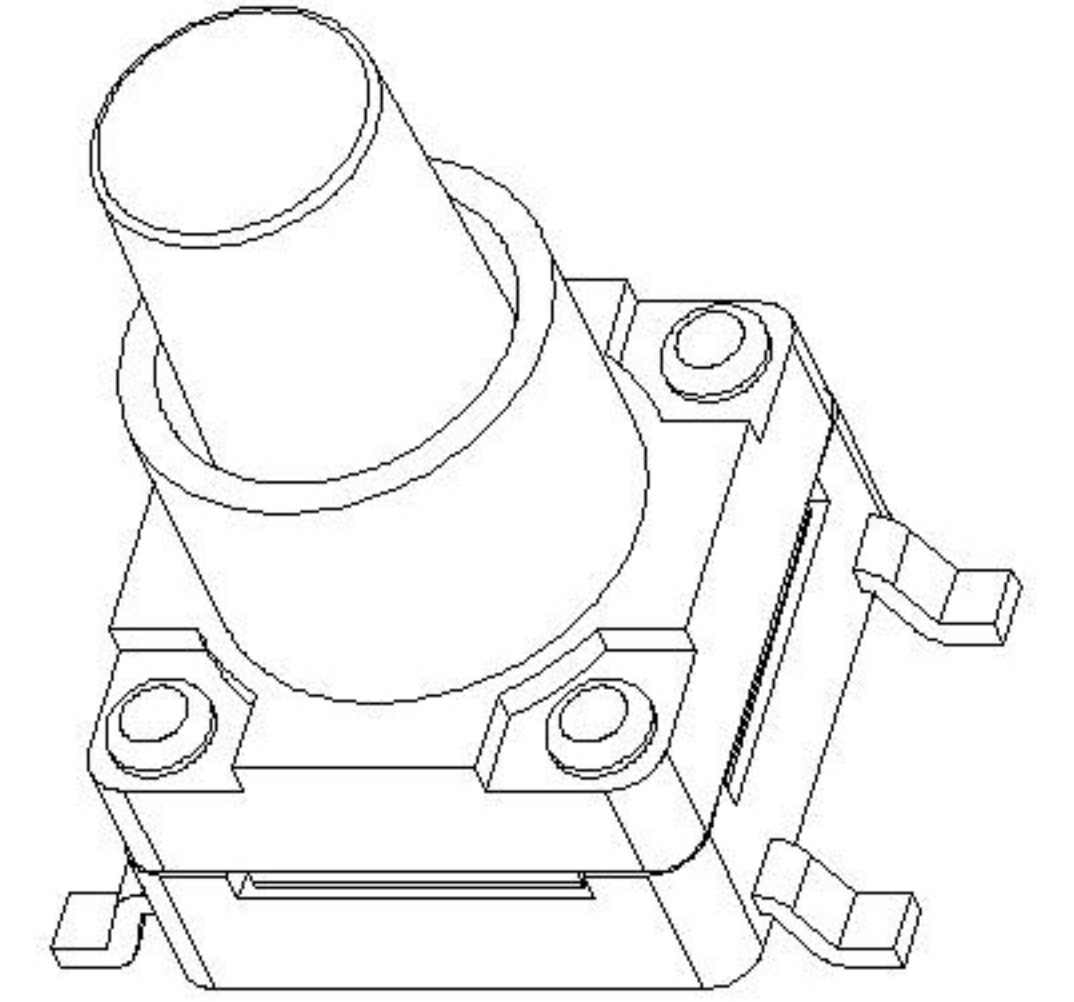
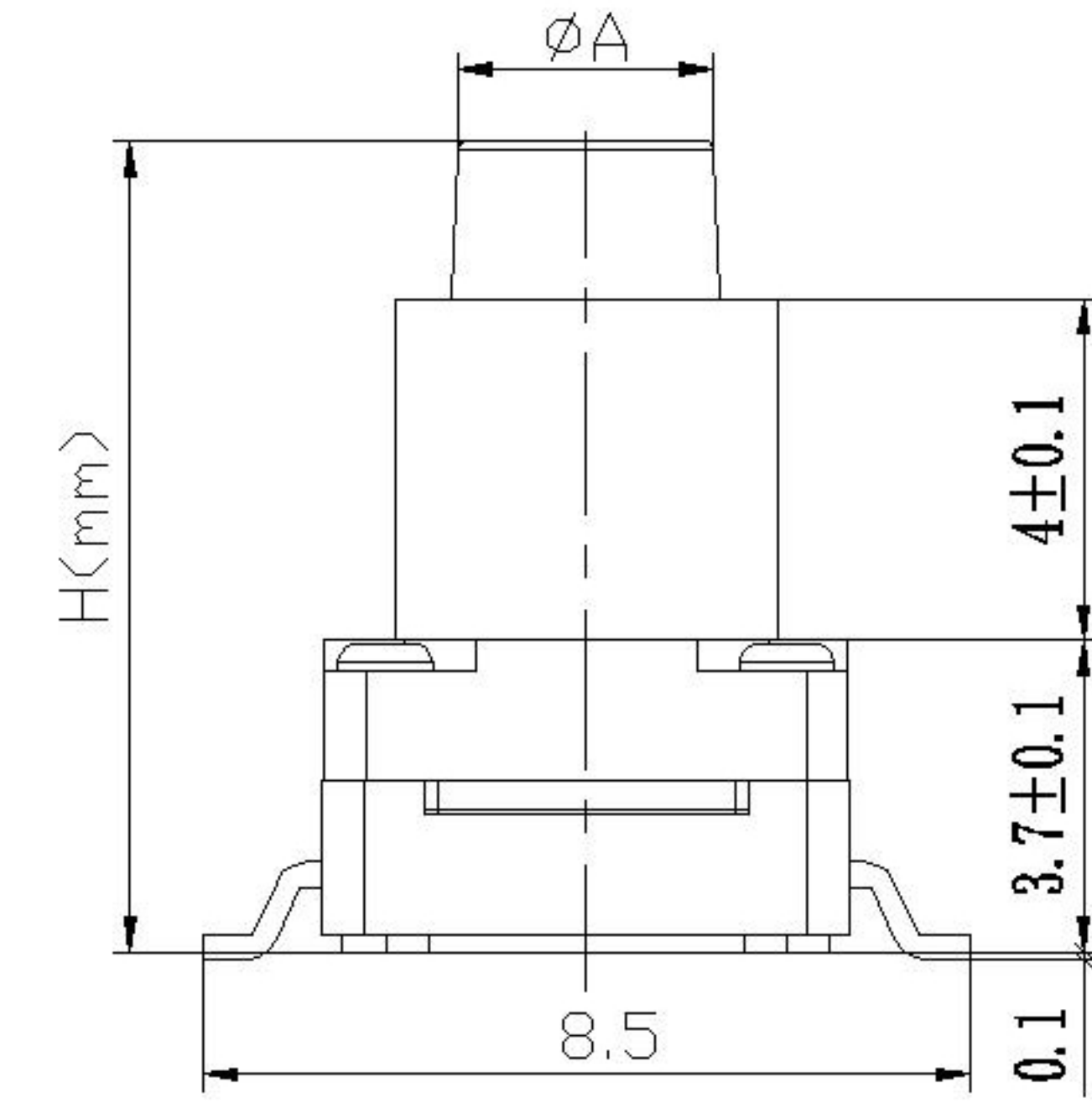


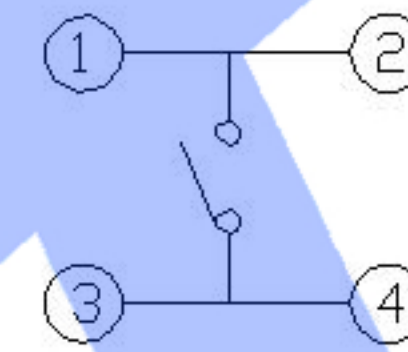
DIMENSIONS



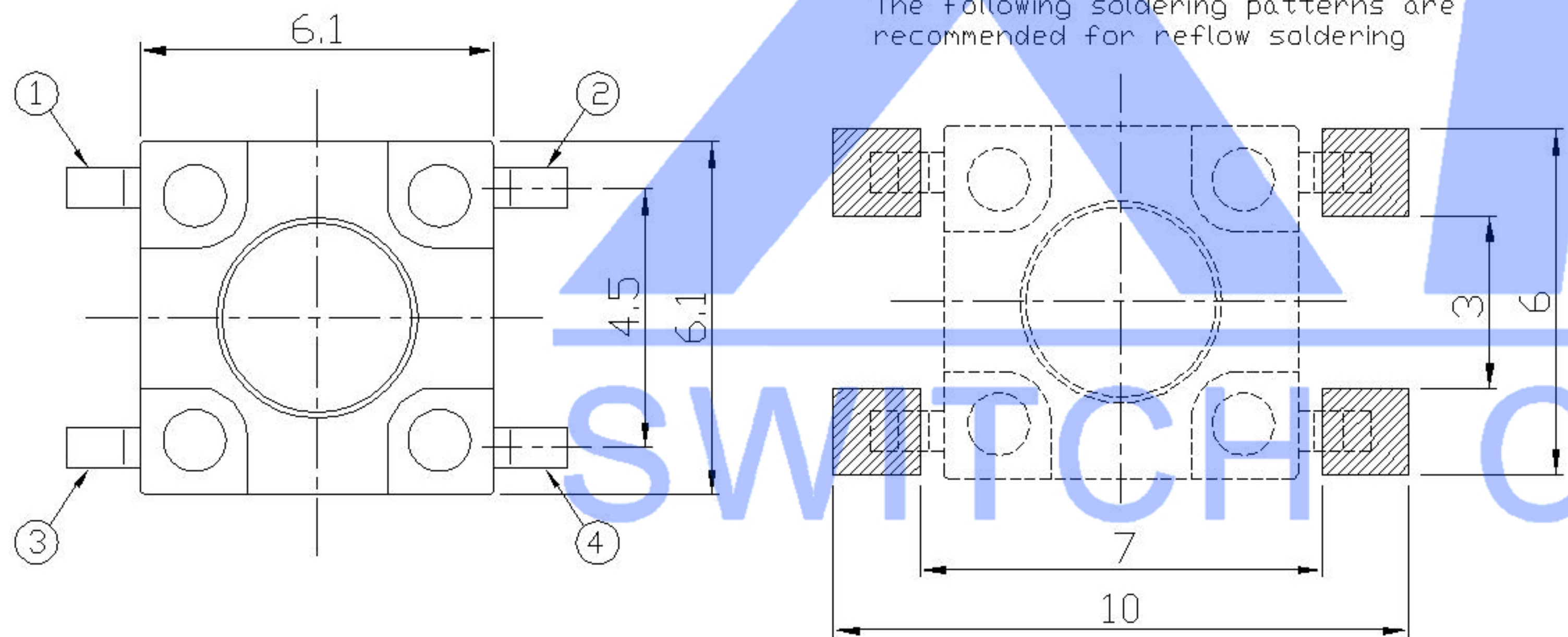
| Code-X | H | Code-X | H |
|--------|------|--------|------|
| A | 4.3 | O | 11.0 |
| B | 4.5 | P | 11.5 |
| C | 5.0 | Q | 12 |
| D | 5.5 | R | 12.5 |
| E | 6.0 | S | 13.0 |
| F | 6.5 | T | 13.5 |
| G | 7.0 | U | 14.0 |
| H | 7.5 | V | 15.0 |
| I | 8.0 | W | 15.5 |
| J | 8.5 | X | 16 |
| K | 9.0 | Y | 16.5 |
| L | 9.5 | Z | 17 |
| M | 10.0 | 18 | 18 |
| N | 10.5 | 19 | 19 |



CIRCUIT DIAGRAM



P.C.B MOUNTING PATTERN DIMENSION
The following soldering patterns are recommended for reflow soldering



SPECIFICATION

Contact Rating 50mA 12V DC
 Contact Resistance 100mΩ max.
 Insulation Resistance 100MΩ min. 500V DC
 Dielectric Strength 250V AC/1 minute
 Travel 0.25mm
 Operating Temp. -25 C +70 C
 Storage Temp. -30 C +80 C

| | |
|-----------------|-------------------------|
| PAPT NO | TS-FS66T-X-X |
| Operating Force | A:100gf B:160gf C:260gf |
| Height | Code-X |
| | |

| ITEM | PAPT NAMF | TER,NO | QTY | MATERIAL | FINISHING | REMARK |
|------|-----------|--------|-----|---------------|------------|--------|
| ⑤ | Terminal | — | 4 | Brass (0.30t) | ag Plated | — |
| ④ | Contact | — | 1 | F.ag/SUS | — | — |
| ③ | Base | — | 1 | PA46 | — | — |
| ② | Cover | — | 1 | Brass | Tin plated | — |
| ① | Keystake | — | 1 | PA46 | — | — |

| | | | |
|---|------|------------|-----------------------------------|
| DSND | DATE | SCALE: N/A | MODEL TYPE: TACT SWITCH |
| DWN | DATE | VIEW: | PART NO.: |
| CHKD | DATE | UNIT: mm | DWG NO.: |
| APPD | DATE | SIZE: A4 | TS-FS66T-X-X |
| UNSPECIFIED TOLERANCES | | | WEIGHT |
| www.xk-dg.cn www.helloxkb.com www.helloxkb.cn | | | SHEET |
| | | | REVISION |
| | | | 1.0g 1/1 A0 |

KXB INDUSTRIAL PRECISION CO.,LIMITED

X-ON Electronics

Largest Supplier of Electrical and Electronic Components

Click to view similar products for [Tactile Switches](#) category:

Click to view products by [XKB](#) manufacturer:

Other Similar products are found below :

[KMR633NG](#) [LFG](#) [5GTH92001](#) [5GTH9202242](#) [6426-201-11343](#) [MJ1226](#) [MJTP1109B](#) [MJTP1138EAUTR](#) [MJTP1230BL](#) [MJTPSHW](#)
[GS6.90F300QP](#) [1-1977223-0](#) [1-1977120-4](#) [ADTSA62NV](#) [ADTSA62RV](#) [ADTSA63KV](#) [ADTSA644NV](#) [ADTSM24NVTR](#) [ADTSMW66NV](#)
[ADTSMW67RV](#) [ATM533VTR](#) [1571300-3](#) [B3F-3123](#) [B3F-6055A](#) [B3F-B32-01-KIT](#) [1977177-8](#) [1977266-1](#) [2-1977223-4](#) [2-1977223-7](#)
[ADTS644KV](#) [ADTSA61RV](#) [ADTSA62KV](#) [ADTSA63NV](#) [ADTSA63RV](#) [ADTSA65NV](#) [ADTSM21NSVTR](#) [ADTSM25RVTR](#)
[ADTSM31RVTR](#) [ADTSM32NVTR](#) [ADTSM61YVTR](#) [ADTSM63SVTR](#) [ADTSM644KVTR](#) [ADTSMW64RV](#) [ADTSMW69NV](#)
[FSMRA4JHA04](#) [GS4.70F300QP](#) [D38999/20JJ37SA](#) [TL1105B](#) [TL1105J](#) [ATH447K2Q](#) [ATM534VTR](#)