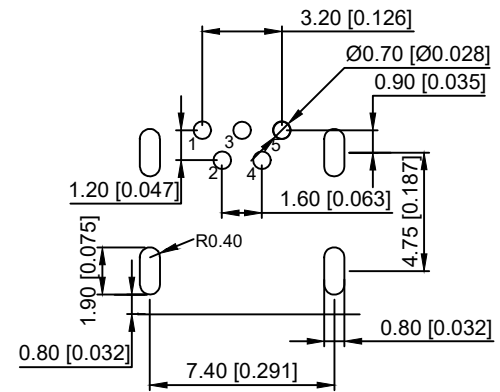


U214-05XN-4BR84

1:Au 1U"
6:Au 30U"



RECOMMENDED PCB LAYOUT

Material
Housing Material: LCP, UL94V-0, black
Contact Terminal: Phosphor bronze, T=0.25mm
Metallic Shell: Brass, T=0.4mm
Plating
Contact Terminal
Underplating: Nickel all over
Contact Plating: 1μ" gold
Solder Tail: Bright Tin
Metallic Shell
Underplating: Nickel 50μ" all over
Metallic Shell: Matte Tin 50μ" all over
Electrical
Voltage Rating: 30VDC
Current Rating: 1A
Contact Resistance: 50mΩ Max
Insulation resistance: 100MΩ Min (Apply 100 VDC)
Dielectric withstanding voltage: No discharge or flash (100V AC is applied for 1 minute)
Mechanical
Durability: 5,000 cycles
Mating Force: 35N (3.57Kgf) Max
Unmating Force: Initial - 7N (0.71Kgf) Min., 5001st cycle - 3N (0.31Kgf) Min.
Environmental and Processing
Operating Temperature: -50°C to +85°C

						DSND		DATE		SCALE: N/A	MODEL TYPE: MINI USB		
ΔX						DWN		DATE		VIEW:	PART NO.:		
Δx						CHKD		DATE		UNIT: mm/in	DWG NO.:		
Δx						APPD		DATE		SIZE: A4	U214-05XN-4BR84		
MARK	DESCRIPTION	DATE	REVISED	APPROVED	UNSPECIFIED TOLERANCES						WEIGHT 1.0g	SHEET 1/1	REVISION A0
www.xk-dg.cn www.helloxkb.com www.helloxkb.cn											XKB INDUSTRIAL PRECISION CO., LIMITED		

X-ON Electronics

Largest Supplier of Electrical and Electronic Components

Click to view similar products for [USB Connectors](#) category:

Click to view products by [XKB](#) manufacturer:

Other Similar products are found below :

[950](#) [A-USB A-LP-SMT-C](#) [A-USB B-TOP-C](#) [MUSBD11135](#) [17-200721](#) [217450-1](#) [KMBVX-TH-5S-B30](#) [KUSBX-AS2N-W](#) [KUSBX-SMT2AP1S-W30](#) [935](#) [957](#) [30-498-6](#) [SK-60A-2](#) [1734082-1](#) [30-470](#) [30-489](#) [30-541](#) [MAB 5 S](#) [A-USB A-2P-C](#) [MIKROE-1451](#)
[USBFTVSCCG](#) [1-1734084-2](#) [MUSBA81130](#) [NK-27-32SL](#) [NK-L8-22C-5/8](#) [10135326-001LF](#) [4198](#) [690-024-633-031](#) [UB-20PMFP-LC7001](#)
[17-200011](#) [UB-20AFMM-LL7A01](#) [CAP-WCCMLPB1](#) [CAP-WCCMLPC1](#) [2274475-3](#) [914-614A2025S10200](#) [USB3FTV7SAGF059](#)
[USB3FTV2SAZNF459](#) [USB3FTV7SAZNF459](#) [HYCW153-USBD05-500B](#) [HYCW219-USBD05-075B](#) [HYCW148-USBD05-117B](#)
[HYCW149-USBD05-740B](#) [HYCW204-USBD05-108B](#) [HYCW214-USBA04-113B](#) [HYCW213-USBA04-113B](#) [KMMX-BSMT35S-1-B30TR](#)
[2345986-1](#) [10082141-N340LF](#) [10117836-011LF](#) [GSB3C3133DSYHR](#)