

RECOMMENDED PCB LAYOUT

Material
 Housing Material: LCP, UL94V-0, black
 Contact Terminal: Copper Alloy
 Metallic Shell: Brass
 Electrical
 Voltage Rating: 30 V AC
 Current Rating: Signal (Pins 2,3,4): 1.0A, Power (Pins 1,5): 1.8A
 Contact Resistance: 30mΩ Max
 Insulation resistance: 1000MΩ Min
 Dielectric withstanding voltage: 250V AC/Minute
 Mechanical
 Durability: 3,000 cycles
 Mating Force: 35N (3.57Kgf) Max
 Unmating Force: 8N (0.82Kgf) Min.

U254-05XX-4BH83-XXB
 1:AU 1U"
 6:AU 30U"
 B:Brass
 1:With 2:Without
 S:Scrolls F:Flat
 T:TIN
 N:NICKEL

广东星坤科技股份有限公司

生 日期
 日期

文件工程章

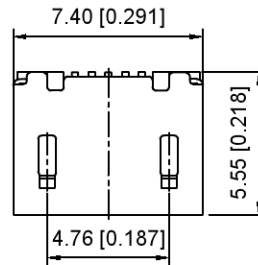
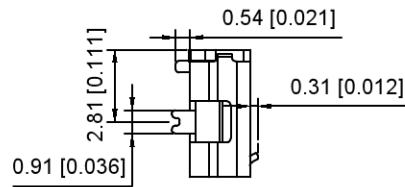
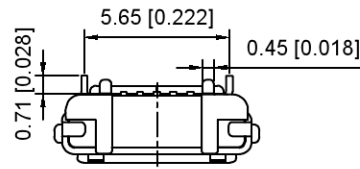
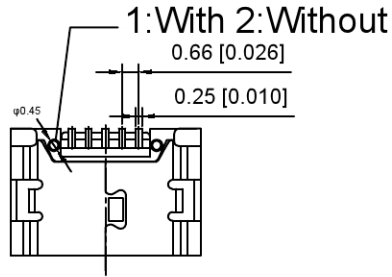
REVISIONS

www.xkcg.cn www.helloxkb.com www.helloxkb.cn

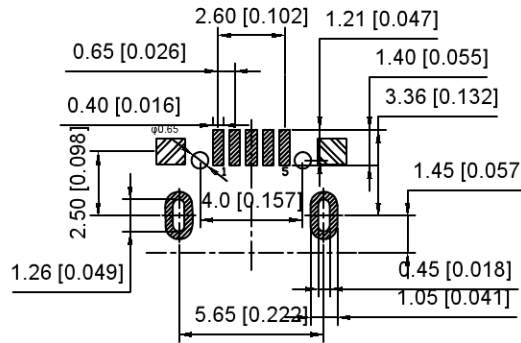
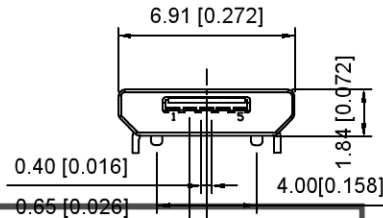
ANGULAR ±5°
 L ≤ 4 ±0.2
 4 < L ≤ 16 ±0.3
 16 < L ≤ 63 ±0.4
 L > 63 ±0.5

UNSPECIFIED TOLERANCES

DSND	DATE	SCALE: N/A	MODEL TYPE:
DWN	DATE	VIEW:	MICRO USB
CHKD	DATE	UNIT: mm/in	PART NO.:
APPD	DATE	SIZE: A4	DWG NO.:
KXB INDUSTRIAL PRECISION CO., LIMITED			U254-05XX-4BH83-SXB
WEIGHT	SHEET	REVISION	
1.0g	1/1	A0	



Material
 Housing Material: LCP, UL94V-0, black
 Contact Terminal: Copper Alloy
 Metallic Shell: Brass
 Electrical
 Voltage Rating: 30 V AC
 Current Rating: Signal (Pins 2,3,4): 1.0A, Power (Pins 1,5): 1.8A
 Contact Resistance: 30mΩ Max
 Insulation resistance: 1000MΩ Min
 Dielectric withstanding voltage: 250V AC/Minute
 Mechanical
 Durability: 3,000 cycles
 Mating Force: 35N (3.57Kgf) Max
 Unmating Force: 8N (0.82Kgf) Min.



U254-05XX-4BH83-XXB
 1:AU 1U"
 6:AU 30U"
 T:TIN
 N:NICKEL
 B:Brass
 1:With 2:Without
 S:Scrolls F:Flat

RECOMMENDED PCB LAYOUT

广东星坤科技股份有限公司

生 日期
 發 日期

文件工程章

REVISIONS

www.xkcg.cn www.helloxkb.com www.helloxkb.cn

ANGULAR ±5°
 L ≤ 4 ±0.2
 4 < L ≤ 16 ±0.3
 16 < L ≤ 63 ±0.4
 L > 63 ±0.5

UNSPECIFIED TOLERANCES

DSND	DATE	SCALE: N/A	MODEL TYPE: MICRO USB
DWN	DATE	VIEW:	PART NO.:
CHKD	DATE	UNIT: mm/in	DWG NO.:
APPD	DATE	SIZE: A4	U254-05XX-4BH83-FXB
KXB INDUSTRIAL PRECISION CO., LIMITED			WEIGHT SHEET REVISION
			1.0g 1/1 A0

X-ON Electronics

Largest Supplier of Electrical and Electronic Components

Click to view similar products for [USB Connectors](#) category:

Click to view products by [XKB](#) manufacturer:

Other Similar products are found below :

[950](#) [A-USB B-TOP-C](#) [MUSBA511N5](#) [MUSBC111M5](#) [MUSBD11135](#) [17-200721](#) [217450-1](#) [KMBVX-TH-5S-B30](#) [896-30-004-00-000000](#)
[KUSBX-AS2N-W](#) [KUSBX-SMT2AP1S-W30](#) [935](#) [957](#) [30-498-6](#) [SK-60A-2](#) [1734082-1](#) [30-1574](#) [30-470](#) [30-489](#) [30-541](#) [A-USB A-2P-C](#)
[MIKROE-1451](#) [USBFTV2PEM2G](#) [USBFTVSCCG](#) [4689-1](#) [1-1734084-2](#) [MUSBC11135](#) [USBF21ZNSCC](#) [USBBFTV6ZC](#) [MUSBB151341](#)
[10135326-001LF](#) [M9177/3-1](#) [TJ-105](#) [USB-A-S-F-B-VT](#) [4198](#) [690-024-633-031](#) [UB-20PMFP-LC7001](#) [USBFTVC6MRG](#) [UA-20BMFA-](#)
[SL8001](#) [17-200011](#) [USBFTVC7ZC](#) [UB-20AFMM-LL7A01](#) [USBFTVC2MN](#) [CAP-WCCMLPB1](#) [1310-1031-01](#) [2041386-1](#) [2274475-3](#) [UB-](#)
[20BMFA-SL8001](#) [UB-20PMFP-SC8003](#) [914-614A2025S10200](#)