

RECOMMENDED P.C.B. LAYOUT
TOP VIEW (TOLERANCE: ±0.05)

Material

Housing Material: LCP, UL94V-0, black

Contact Terminal: Copper Alloy

Metallic Shell: Sus

Electrical

Voltage Rating: 30 V AC

Current Rating: Signal (Pins 2,3,4): 1.0A, Power (Pins 1,5): 1.8A

Contact Resistance: 30mΩ Max

Insulation resistance: 1000MΩ Min

Dielectric withstanding voltage: 250V AC/Minute

Mechanical

Durability: 10,000 cycles

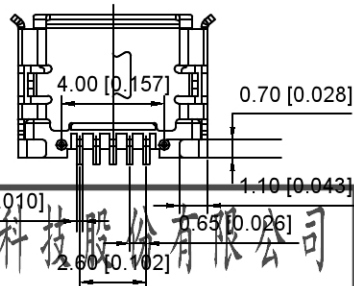
Mating Force: 35N (3.57Kgf) Max

Unmating Force: 8N (0.82Kgf) Min.

U254-05XX-4BH82-XXS

1:AU 1U"
6:AU 30U"
T:TIN
N:NICKEL

1:With 2:Without
S:Scrolls F:Flat

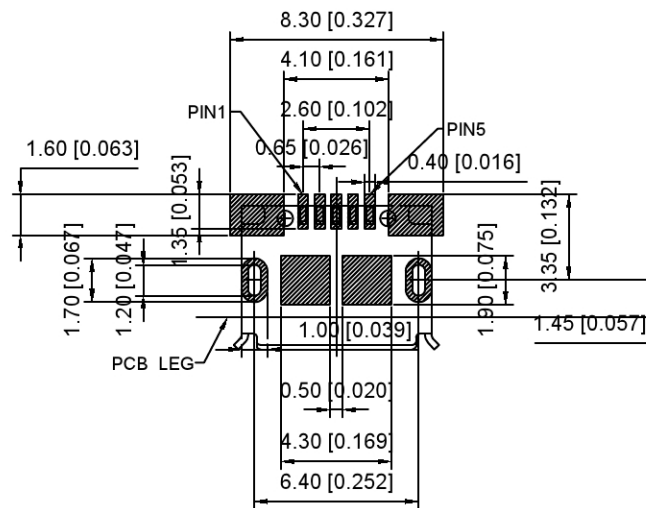
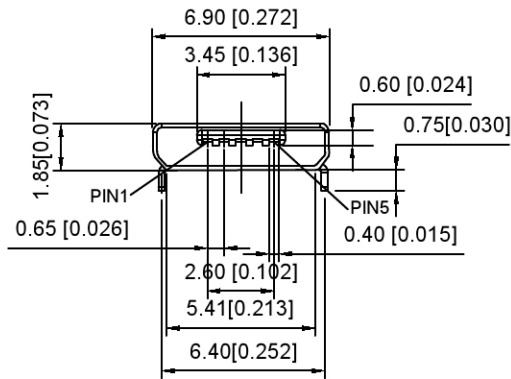
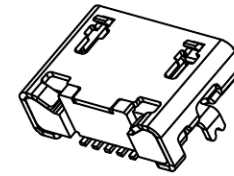
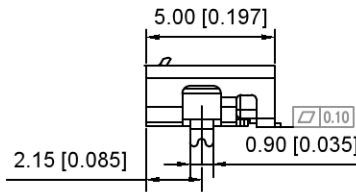
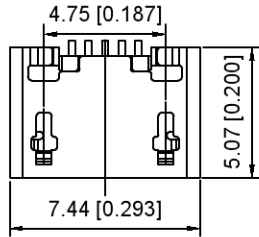


广东星坤科技股份有限公司

| | |
|-------|----|
| 生 | 日期 |
| 发 | |
| ΔX | |
| MARK | |
| 文件工程章 | |

| REVISIONS | DATE | REVISED | APPROVED | UNSPECIFIED TOLERANCES |
|-------------|------|---------|----------|------------------------|
| ANGULAR | | | | ±5° |
| ≤ 4 | | | | ±0.2 |
| 4 < L ≤ 16 | | | | ±0.3 |
| 16 < L ≤ 63 | | | | ±0.4 |
| L > 63 | | | | ±0.5 |

| | | | |
|---------------------------------------|------|-------------|-----------------------|
| DSND | DATE | SCALE: N/A | MODEL TYPE: MICRO USB |
| DWN | DATE | VIEW: | PART NO.: |
| CHKD | DATE | UNIT: mm/in | DWG NO.: |
| APPD | DATE | SIZE: A4 | U254-05XX-4BH82-SXS |
| KXB INDUSTRIAL PRECISION CO., LIMITED | | | WEIGHT SHEET REVISION |
| | | | 1.0g 1/1 A0 |



RECOMMENDED P.C.B. LAYOUT
TOP VIEW (TOLRANCE: ±0.05)

Material

Housing Material: LCP, UL94V-0, black

Contact Terminal: Copper Alloy

Metallic Shell: Sus

Electrical

Voltage Rating: 30 V AC

Current Rating: Signal (Pins 2,3,4): 1.0A, Power (Pins 1,5): 1.8A

Contact Resistance: 30mΩ Max

Insulation resistance: 1000MΩ Min

Dielectric withstanding voltage: 250V AC/Minute

Mechanical

Durability: 10,000 cycles

Mating Force: 35N (3.57Kgf) Max

Unmating Force: 8N (0.82Kgf) Min.

U254-05XX-4BH82-XXS

1:AU 1U"

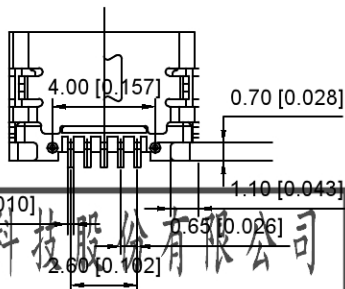
6:AU 30U"

T:TIN

N:NICKEL

1:With 2:Without

S:Scrolls F:Flat



广东星坤科技股份有限公司

生 日期
發 日期

文件工程章

REVISIONS

www.xkcg.cn www.helloxkb.com www.helloxkb.cn

ANGLAR ±5°
L ≤ 4 ±0.2
4 < L ≤ 16 ±0.3
16 < L ≤ 63 ±0.4
L > 63 ±0.5

UNSPECIFIED TOLERANCES

| | | | |
|---------------------------------------|-------|-------------|---------------------|
| DSND | DATE | SCALE: N/A | MODEL TYPE: |
| DWN | DATE | VIEW: | MICRO USB |
| CHKD | DATE | UNIT: mm/in | PART NO.: |
| APPD | DATE | SIZE: A4 | DWG NO.: |
| KXB INDUSTRIAL PRECISION CO., LIMITED | | | U254-05XX-4BH82-FXS |
| WEIGHT | SHEET | REVISION | |
| 1.0g | 1/1 | A0 | |

X-ON Electronics

Largest Supplier of Electrical and Electronic Components

Click to view similar products for [USB Connectors](#) category:

Click to view products by [XKB](#) manufacturer:

Other Similar products are found below :

[950](#) [A-USB B-TOP-C](#) [MUSBA511N5](#) [MUSBC111M5](#) [MUSBD11135](#) [17-200721](#) [217450-1](#) [KMBVX-TH-5S-B30](#) [896-30-004-00-000000](#)
[KUSBX-AS2N-W](#) [KUSBX-SMT2AP1S-W30](#) [935](#) [957](#) [30-498-6](#) [SK-60A-2](#) [1734082-1](#) [30-1574](#) [30-470](#) [30-489](#) [30-541](#) [30-572-3](#) [A-USB](#)
[A-2P-C](#) [MIKROE-1451](#) [USBFTV2PEM2G](#) [USBFTVSCCG](#) [4689-1](#) [1-1734084-2](#) [MUSBC11135](#) [USBF21ZNSCC](#) [USBBFTV6ZC](#)
[MUSBB151341](#) [10135326-001LF](#) [M9177/3-1](#) [TJ-105](#) [USB-A-S-F-B-VT](#) [4198](#) [690-024-633-031](#) [UB-20PMFP-LC7001](#) [USBFTVC6MRG](#)
[UA-20BMFA-SL8001](#) [17-200011](#) [USBFTVC7ZC](#) [UB-20AFMM-LL7A01](#) [USBFTVC2MN](#) [CAP-WCCMLPB1](#) [1310-1031-01](#) [2041386-1](#)
[2274475-3](#) [UB-20BMFA-SL8001](#) [UB-20PMFP-SC8003](#)