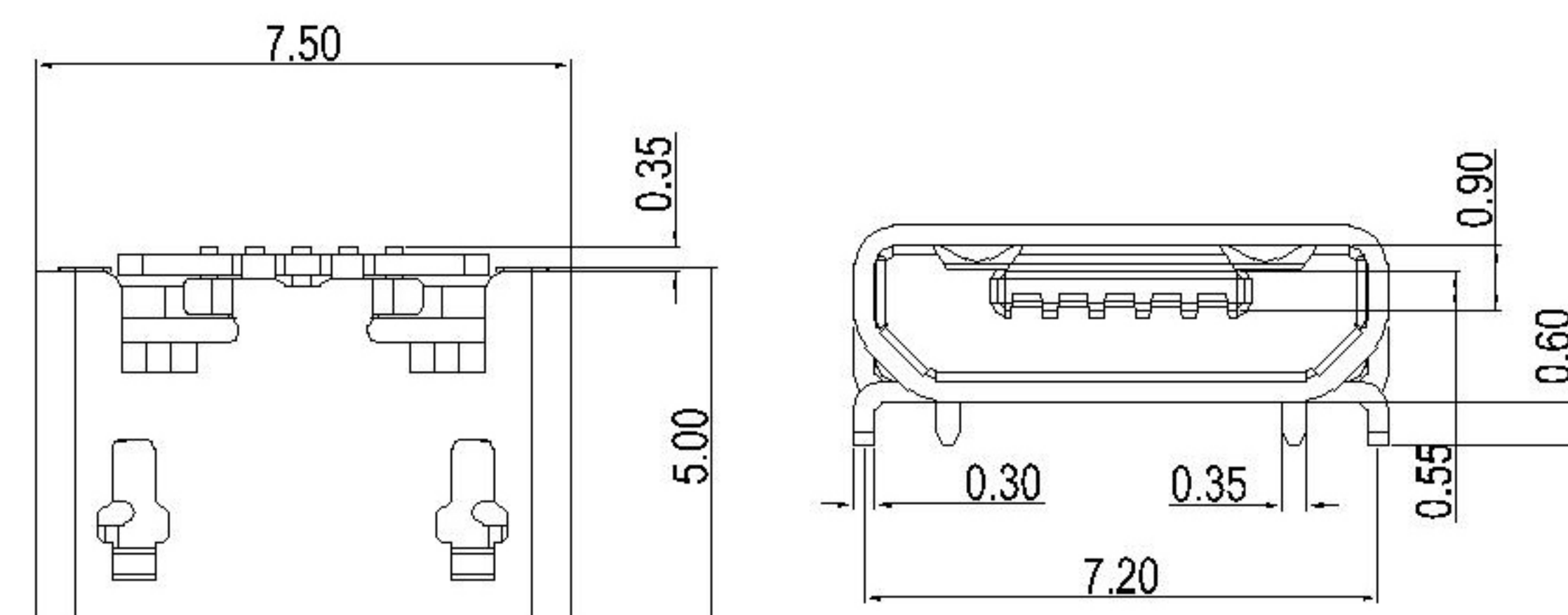
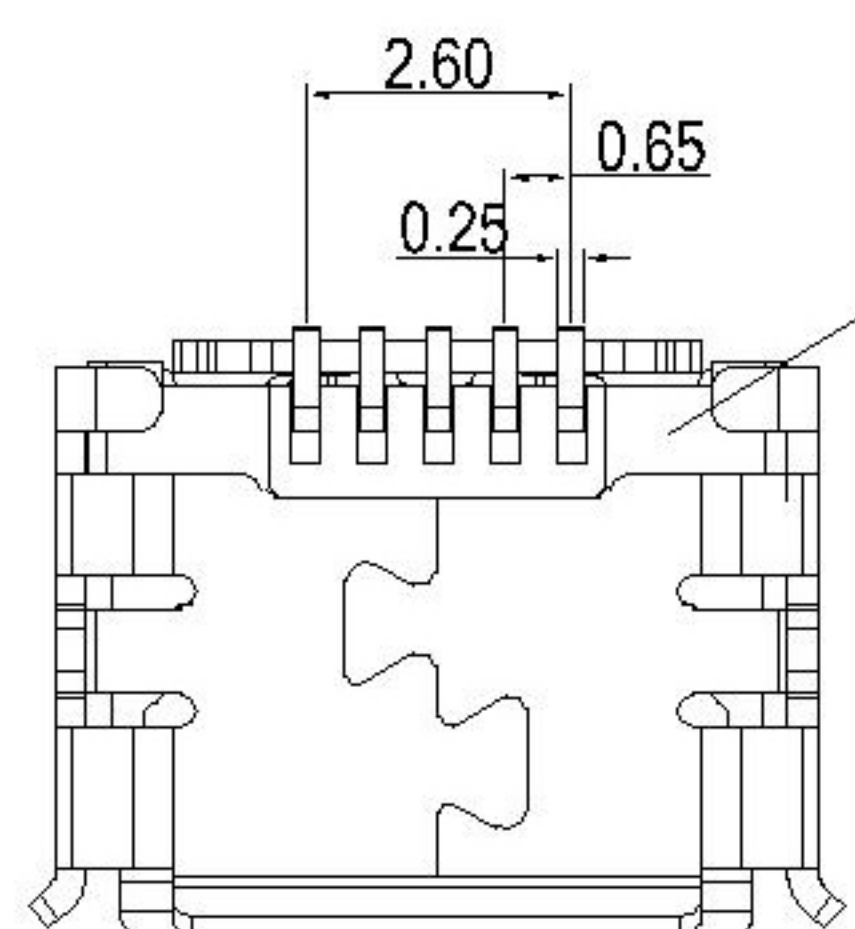
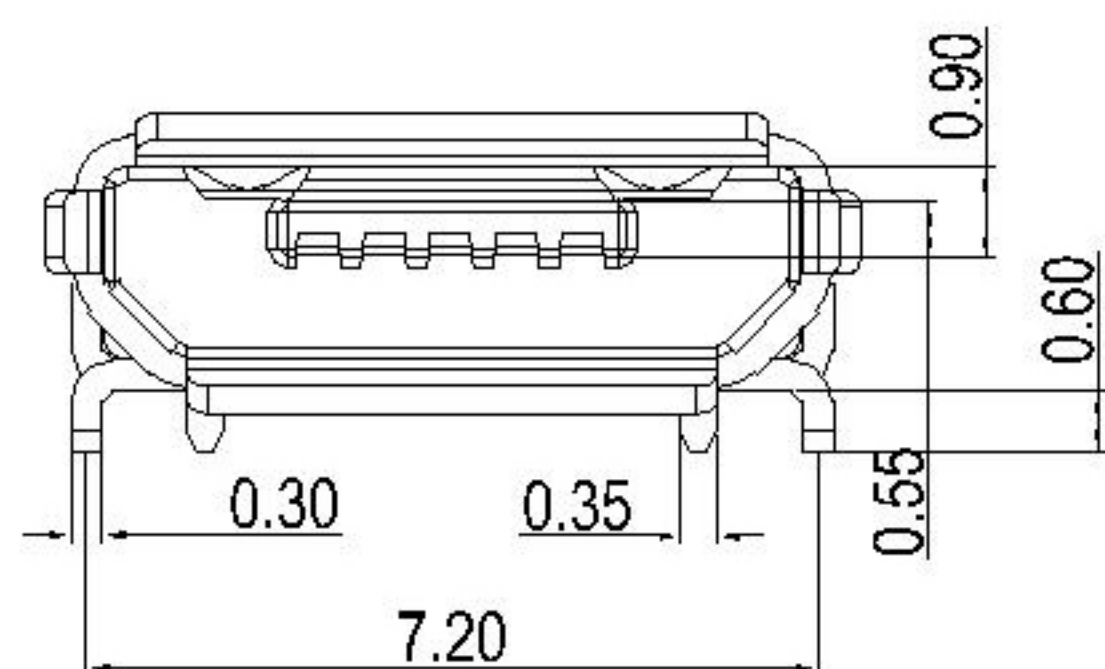


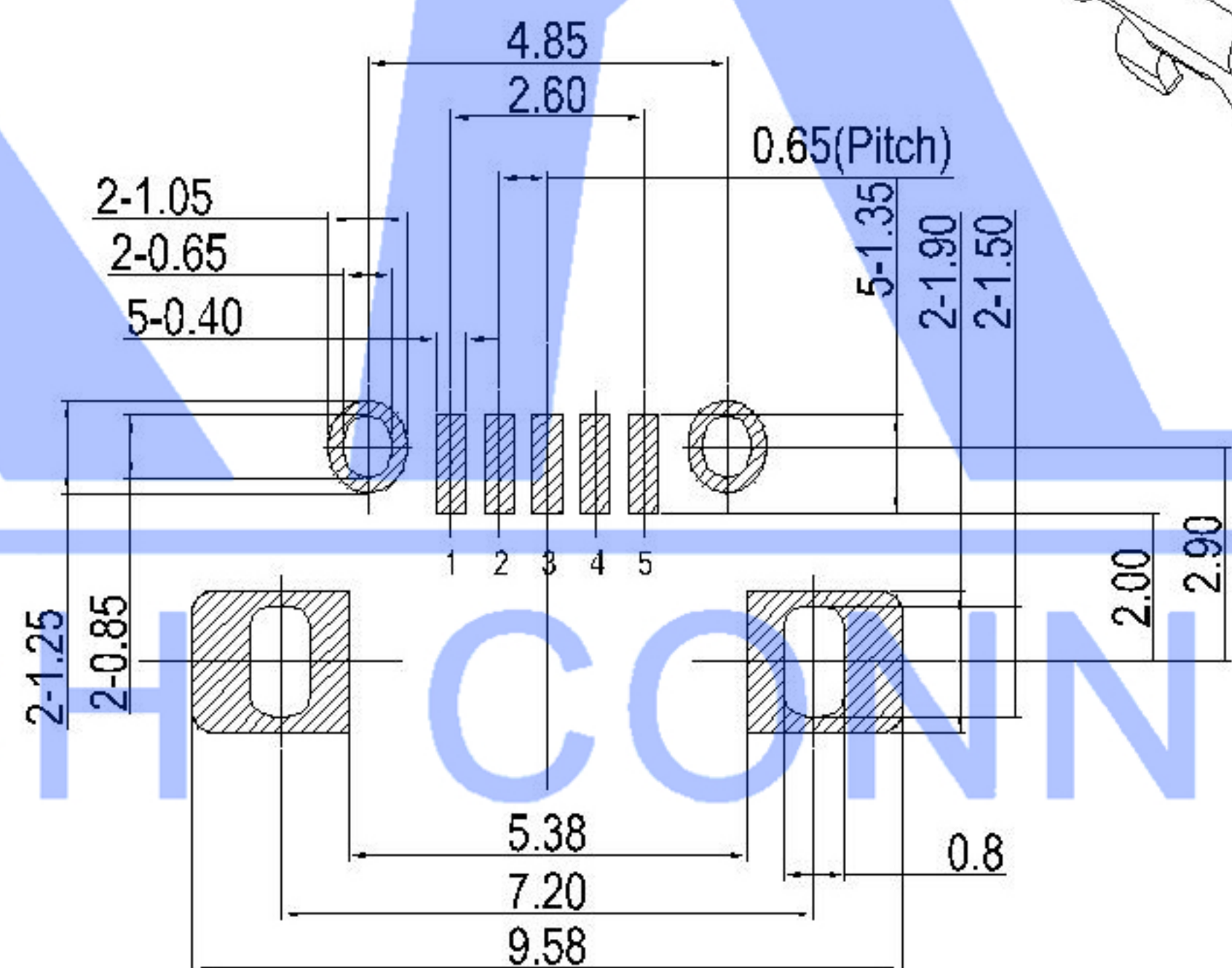
Scrolls (S)



Flat(F)



1:With 2:Without



RECOMMENDED PCB LAYOUT(TOP VIEW)

GENERAL TOLERANCES:±0.05

NOTES:

1. MATERIAL&FINISH:SEE TABLE A;
2. SPECIALITY:
  - 2.1 RATED CURRENT:1.8A For Pin1,5  
0.5A For Pin 2,3,4
  - 2.2 RATED VOLTAGE:30V
  - 2.3 CONTACT RESISTANCE:30mΩ Max
  - 2.4 INSULATION RESISTANCE:1000MΩ Min 500V DC
  - 2.5 DIELECTRIC WITHSTANDING VOLTAGE:100V AC 1Min.
  - 2.6 SOLDER ABILITY:255±5℃, 5±0.5S.
  - 2.7 DURABILITY:5000 CYCLES Min.
  - 2.8 OPERATING CONDITION:TEMPERATURE-40℃~+85℃;  
HUMIDITY 80% R.H Max
3. MECHANICAL:
  - 3.1 INSERTION FORCE:35N Max
  - 3.2 EXTRACTION FORCE:8N Min
4. PLEASE CONTACT JITS SALES REPRESENTATIVE TO VERIFY PRODUCT DETAILS & AVAILABILITY

U254-05XX-4BHJ25 -X-X-X

- 1: Au 1U"
- 6: Au 30U"
- T: TIN
- N: NICKEL
- B: Brass S: Sus
- 1: With 2: Without
- S: Scrolls F: Flat
- B: BLACK W: WHITE
- 1: PBT
- 2: PA6T
- 3: PA9T
- 4: LCP

					DSND		DATE	SCALE: N/A	MODEL TYPE: MICRO USB	
△X					ANGLAR	±5°	DWN	VIEW:	PART NO.: U254-05XX-4BHJ25	
△X					L ≤ 4	±0.2	CHKD	UNIT: mm	DWG NO.: U254-05XX-4BHJ25-XXX	
△X					4 < L ≤ 16	±0.3	APPD	SIZE: A4		
MARK	DESCRIPTION	DATE	REVISED	APPROVED	16 < L ≤ 63	±0.4				
					L > 63	±0.5				
REVISIONS					UNSPECIFIED TOLERANCES					
www.xk-dg.cn www.1k0k.com www.1k0k.cn					XKB INDUSTRIAL PRECISION CO., LIMITED					
					WEIGHT	1.0g	SHEET	1/1	REVISION	A0

## X-ON Electronics

Largest Supplier of Electrical and Electronic Components

*Click to view similar products for [USB Connectors](#) category:*

*Click to view products by [XKB](#) manufacturer:*

Other Similar products are found below :

[10033527-N3112MLF](#) [17-210561](#) [GMCB05B11124H1EU](#) [17-200931](#) [65-647-8-BK-BU](#) [690-010-295-484](#) [73725-1191BLF](#) [950](#) [E8144-B01021-L](#) [A-USB A-LP-SMT-C](#) [A-USB B-TOP-C](#) [MUSBA511N5](#) [MUSBB15131](#) [MUSBC111M5](#) [MUSBD11135](#) [217450-1](#) [CA 6 W LD](#)  
[896-30-004-00-000000](#) [KUSBVX-BS1N-W30](#) [KUSBX-AP-KIT-SCBLK](#) [KUSBX-AS2N-W](#) [KUSBX-SMT2AP1S-W](#) [KUSBX-SMTAS1NBTR](#) [KUSBX-SMTBS1NBTR](#) [30-498-6](#) [SK-60A-2](#) [17-200261](#) [17-210051](#) [1734082-1](#) [FK-37-32SL](#) [30-1574](#) [30-470](#) [30-489](#) [30-541](#) [30-572-3](#) [30-9503](#) [M9177/2-1](#) [MAB 5 S](#) [MIKROE-1451](#) [33UBBR-04SW11R](#) [USBFTV2PEM2G](#) [USBFTVC6ZN](#) [USBFTVSCCG](#)  
[KUSBX-AS2N-W30](#) [KUSBX-SLAS1N-W](#) [KUSBX-SLAS1N-W30](#) [1-1734084-2](#) [E8110-001-01](#) [MUSBC11135](#) [NK-27-32SL](#)