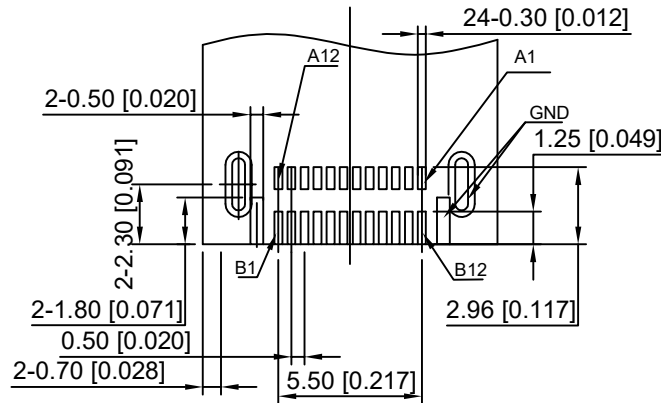
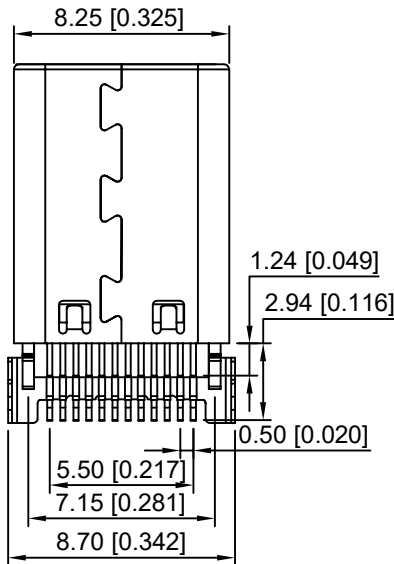
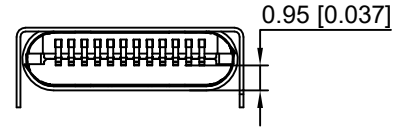
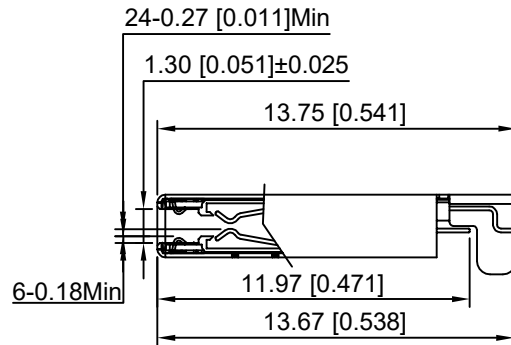
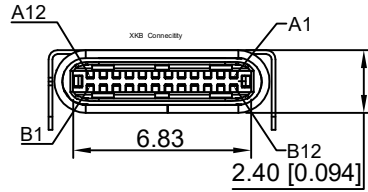
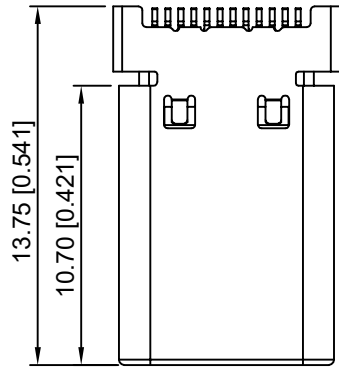


NOTE:

- 1.材料 MATERIAL:
 - 1.1 绝缘材料 INSULATOR: HIGH TEMPERATURE PLASTIC UL 94 V-0;
 - 1.2 接点 CONTACT: COPPER ALLOY(T=0.15mm)
 - 1.3 外壳 SHELL: STEEL(T=0.15mm)
- 2.电气特性 ELECTRICAL CHARACTERISTICS:
 - 2.1 接触电阻 CONTACT RESISTANCE: 40mΩ Max FOR INITIAL, 10mΩ CHANGE AFTER TEST. MEASURE AT 20mV, 100mA.
 - 2.2 接触电流额定值 CONTACT CURRENT RATING: 5A Max FOR VBUS/GND PIN; 0.9A Max FOR Other PIN.
 - 2.3 绝缘耐压 DIELECTRIC WITHSTANDING VOLTAGE: 100V AC R.M.S.
 - 2.4 INSULATION RESISTANCE 100MΩ Min
 - 2.5 工作温度 OPERATING TEMPERATURE: -40°C~85°C
- 3 机械特性 MECHANICAL CHARACTERISTICS:
 - 3.1 配合力 MATING FORCE: 5~20 N.
 - 3.2 未配对的力量 UNMATED FORCE: 6~20N AFTER TEST
 - 3.3 耐久寿命 DURABILITY: 10,000 CYCLES, 500 CYCLES/H
- 4.电镀 PLATING

接点 CONTACT: CONTACT AREA PLATING Au 1~30u", SOLDER AREA PLATING 80~120U" MATTING Sn.

外壳/弹簧/扣 SHELL/SPRING/BUCKLE:20U" Min PLATING OVER ALL



Recommended P.C.B Layout
Tolerance ± 0.05
XXB Connectivity

XXB Connectivity

A12	A11	A10	A9	A8	A7	A6	A5	A4	A3	A2	A1	
GND	RX2+	RX2-	V _{BUS}	SBU1	D-	D+	CC	V _{BUS}	TX1-	TX1+	GND	
GND	TX2+	TX2-	V _{BUS}	V _{CONN}				SBU2	V _{BUS}	RX1-	RX1+	GND
B1	B2	B3	B4	B5	B6	B7	B8	B9	B10	B11	B12	

XXB Connectivity

U261-24XN-4BC2SS

- 1:AU 1U"
- 2:AU 3U"
- 5:AU 15U"
- 6:AU 30U"
- W:WHITE
- B:BLACK
- 1:PBT
- 2:PA6T
- 5:PA6T
- 6:LCP

					DSND	DATE	SCALE: N/A	MODEL TYPE: 3.1 TYPE C
ΔX					ANGLAR	DATE	VIEW:	PART NO.:
ΔX					L ≤ 4	DATE	UNIT: mm/in	DWG NO.:
ΔX					4 < L ≤ 16	DATE	SIZE: A4	U261-24XN-4BC2SS
MARK	DESCRIPTION	DATE	REVISED	APPROVED	APPD	DATE		
REVISIONS					UNSPECIFIED TOLERANCES			
www.xk-dg.cn www.helloxkb.com www.helloxkb.cn					XKB INDUSTRIAL PRECISION CO., LIMITED			
					WEIGHT	SHEET	REVISION	
					1.0g	1/1	A0	

X-ON Electronics

Largest Supplier of Electrical and Electronic Components

Click to view similar products for [USB Connectors](#) category:

Click to view products by [XKB](#) manufacturer:

Other Similar products are found below :

[950](#) [A-USB B-TOP-C](#) [MUSBA511N5](#) [MUSBC111M5](#) [MUSBD11135](#) [17-200721](#) [217450-1](#) [KMBVX-TH-5S-B30](#) [896-30-004-00-000000](#)
[KUSBX-AS2N-W](#) [KUSBX-SMT2AP1S-W30](#) [935](#) [957](#) [30-498-6](#) [SK-60A-2](#) [1734082-1](#) [30-1574](#) [30-470](#) [30-489](#) [30-541](#) [A-USB A-2P-C](#)
[MIKROE-1451](#) [USBFTV2PEM2G](#) [USBFTVSCCG](#) [4689-1](#) [1-1734084-2](#) [MUSBC11135](#) [USBF21ZNSCC](#) [USBBFTV6ZC](#) [MUSBB151341](#)
[10135326-001LF](#) [M9177/3-1](#) [TJ-105](#) [USB-A-S-F-B-VT](#) [4198](#) [690-024-633-031](#) [UB-20PMFP-LC7001](#) [USBFTVC6MRG](#) [UA-20BMFA-](#)
[SL8001](#) [17-200011](#) [USBFTVC7ZC](#) [UB-20AFMM-LL7A01](#) [USBFTVC2MN](#) [CAP-WCCMLPB1](#) [1310-1031-01](#) [2041386-1](#) [2274475-3](#) [UB-](#)
[20BMFA-SL8001](#) [UB-20PMFP-SC8003](#) [914-614A2025S10200](#)