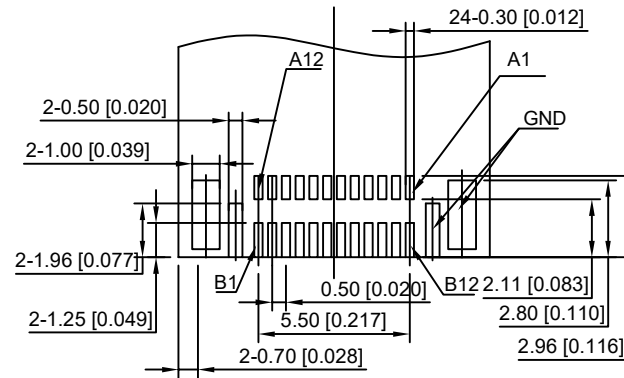
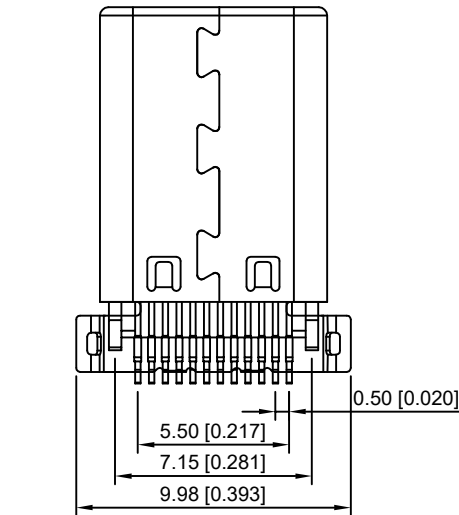


XXB Connectivity

NOTE:

- 1.材料 MATERIAL:
  - 1.1 绝缘材料 INSULATOR: HIGH TEMPERATURE PLASTIC UL 94 V-0;
  - 1.2 接点 CONTACT: COPPER ALLOY(T=0.15mm)
  - 1.3 外壳 SHELL: STEEL(T=0.15mm)
- 2.电气特性 ELECTRICAL CHARACTERISTICS:
  - 2.1 接触电阻 CONTACT RESISTANCE: 40mΩ Max FOR INITIAL, 10mΩ CHANGE AFTER TEST, MEASURE AT 20mV, 100mA.
  - 2.2 接触电流额定值 CONTACT CURRENT RATING: 5A Max FOR VBUS/GND PIN, 0.9A Max FOR Other PIN.
- 2.3 绝缘耐压 DIELECTRIC WITHSTANDING VOLTAGE: 100V AC R.M.S.
- 2.4 INSULATION RESISTANCE 100MΩMin
- 2.5 工作温度 OPERATING TEMPERATURE: -40°C~85°C
- 3.机械特性 MECHANICAL CHARACTERISTICS:
  - 3.1 配合力 MATING FORCE: 5-20 N.
  - 3.2 未配对的力量 UNMATED FORCE: 6-20N AFTER TEST
  - 3.3 耐久寿命 DURABILITY: 10,000 CYCLES, 500 CYCLES/H
- 4.电镀 PLATING
  - 接点 CONTACT: CONTACT AREA PLATING Au 1~30u" ,SOLDER AREA PLATING 80-120U" MATTING Sn.
  - 外壳/弹簧/扣 SHELL/SPRING/BUCKLE:20U" Min PLATING OVER ALL



Recommended P.C.B Layout  
Tolerance ± 0.05

XXB Connectivity

XXB Connectivity

|     |      |      |                  |       |    |    |      |                  |      |      |     |
|-----|------|------|------------------|-------|----|----|------|------------------|------|------|-----|
| A12 | A11  | A10  | A9               | A8    | A7 | A6 | A5   | A4               | A3   | A2   | A1  |
| GND | RX2+ | RX2- | V <sub>BUS</sub> | SBU1  | D- | D+ | CC   | V <sub>BUS</sub> | TX1- | TX1+ | GND |
| GND | TX2+ | TX2- | V <sub>BUS</sub> | Vconn |    |    | SBU2 | V <sub>BUS</sub> | RX1- | RX1+ | GND |
| B1  | B2   | B3   | B4               | B5    | B6 | B7 | B8   | B9               | B10  | B11  | B12 |

XXB Connectivity

U261-24XN-4BS2SS

- 1:AU 1U"
- 2:AU 3U"
- 5:AU 15U"
- 6:AU 30U"
- 1:PBT
- 2:PA6T
- 5:PA9T
- 6:LCP

|  |  |  |  |  |                                      |  |      |  |             |                           |       |          |
|--|--|--|--|--|--------------------------------------|--|------|--|-------------|---------------------------|-------|----------|
|  |  |  |  |  | DSND                                 |  | DATE |  | SCALE: N/A  | MODEL TYPE:<br>3.1 TYPE C |       |          |
|  |  |  |  |  | DWN                                  |  | DATE |  | VIEW:       | PART NO.:                 |       |          |
|  |  |  |  |  | CHKD                                 |  | DATE |  | UNIT: mm/in | DWG NO.:                  |       |          |
|  |  |  |  |  | APPD                                 |  | DATE |  | SIZE: A4    | U261-24XN-4BS2SS          |       |          |
|  |  |  |  |  | UNSPECIFIED TOLERANCES               |  |      |  |             | WEIGHT                    | SHEET | REVISION |
|  |  |  |  |  | XKB INDUSTRIAL PRECISION CO.,LIMITED |  |      |  |             | 1.0g                      | 1/1   | A0       |

|   |             |      |         |          |             |      |
|---|-------------|------|---------|----------|-------------|------|
| ΔX  |             |      |         |          | ANGLAR      | ±5°  |
| ΔX  |             |      |         |          | L ≤ 4       | ±0.2 |
| ΔX  |             |      |         |          | 4 < L ≤ 16  | ±0.3 |
| ΔX  |             |      |         |          | 16 < L ≤ 63 | ±0.4 |
| MARK  | DESCRIPTION | DATE | REVISED | APPROVED | L > 63      | ±0.5 |
| REVISIONS                                     |             |      |         |          |             |      |
| www.xk-dg.cn www.helloxkb.com www.helloxkb.cn |             |      |         |          |             |      |

## X-ON Electronics

Largest Supplier of Electrical and Electronic Components

*Click to view similar products for [USB Connectors](#) category:*

*Click to view products by [XKB](#) manufacturer:*

Other Similar products are found below :

[950](#) [A-USB B-TOP-C](#) [MUSBA511N5](#) [MUSBC111M5](#) [MUSBD11135](#) [17-200721](#) [217450-1](#) [KMBVX-TH-5S-B30](#) [896-30-004-00-000000](#)  
[KUSBX-AS2N-W](#) [KUSBX-SMT2AP1S-W30](#) [935](#) [957](#) [30-498-6](#) [SK-60A-2](#) [1734082-1](#) [30-1574](#) [30-470](#) [30-489](#) [30-541](#) [30-572-3](#) [A-USB](#)  
[A-2P-C](#) [MIKROE-1451](#) [USBFTV2PEM2G](#) [USBFTVSCCG](#) [4689-1](#) [1-1734084-2](#) [MUSBC11135](#) [USBF21ZNSCC](#) [USBBFTV6ZC](#)  
[MUSBB151341](#) [10135326-001LF](#) [M9177/3-1](#) [TJ-105](#) [USB-A-S-F-B-VT](#) [4198](#) [690-024-633-031](#) [UB-20PMFP-LC7001](#) [USBFTVC6MRG](#)  
[UA-20BMFA-SL8001](#) [17-200011](#) [USBFTVC7ZC](#) [UB-20AFMM-LL7A01](#) [USBFTVC2MN](#) [CAP-WCCMLPB1](#) [1310-1031-01](#) [2041386-1](#)  
[2274475-3](#) [UB-20BMFA-SL8001](#) [UB-20PMFP-SC8003](#)