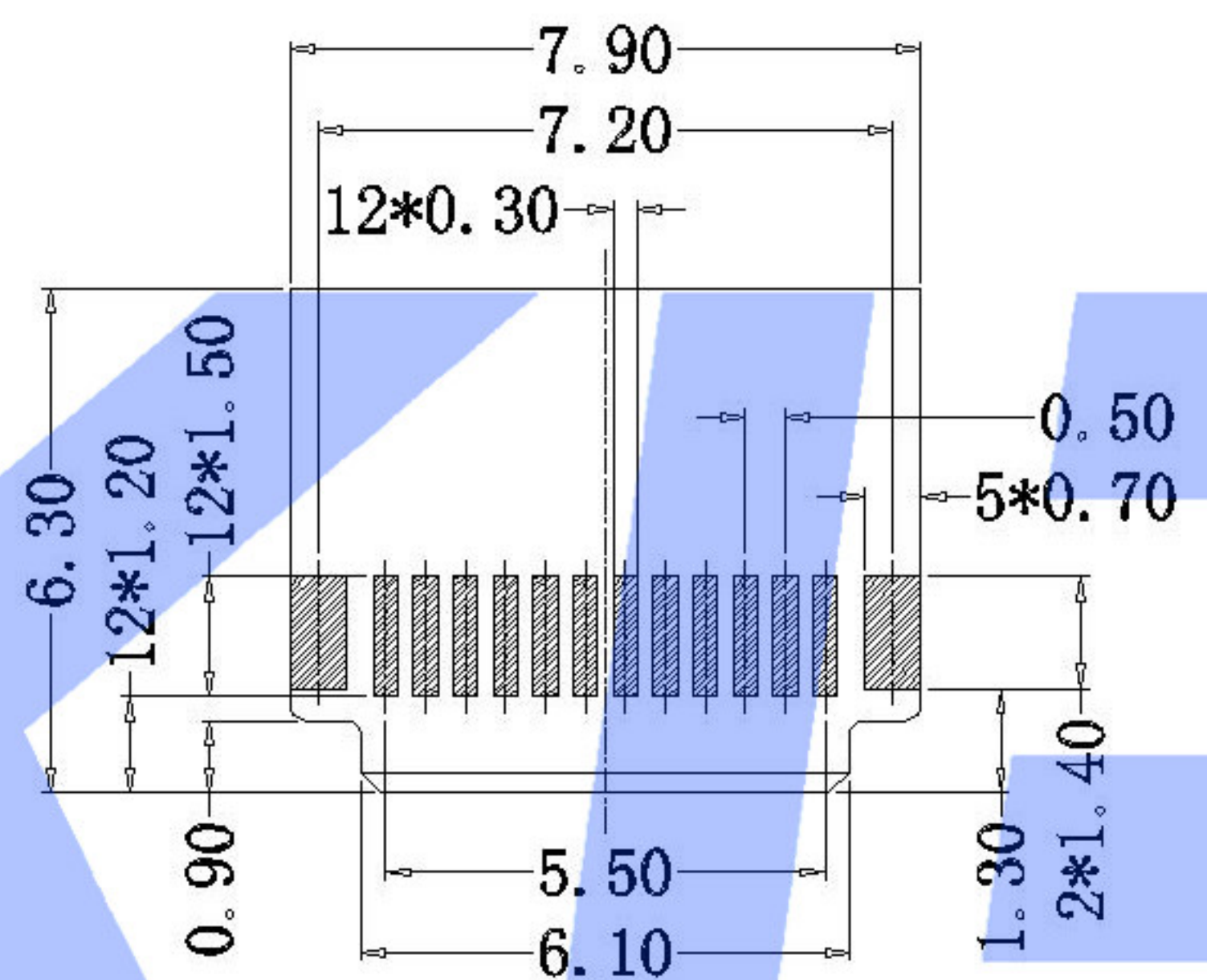
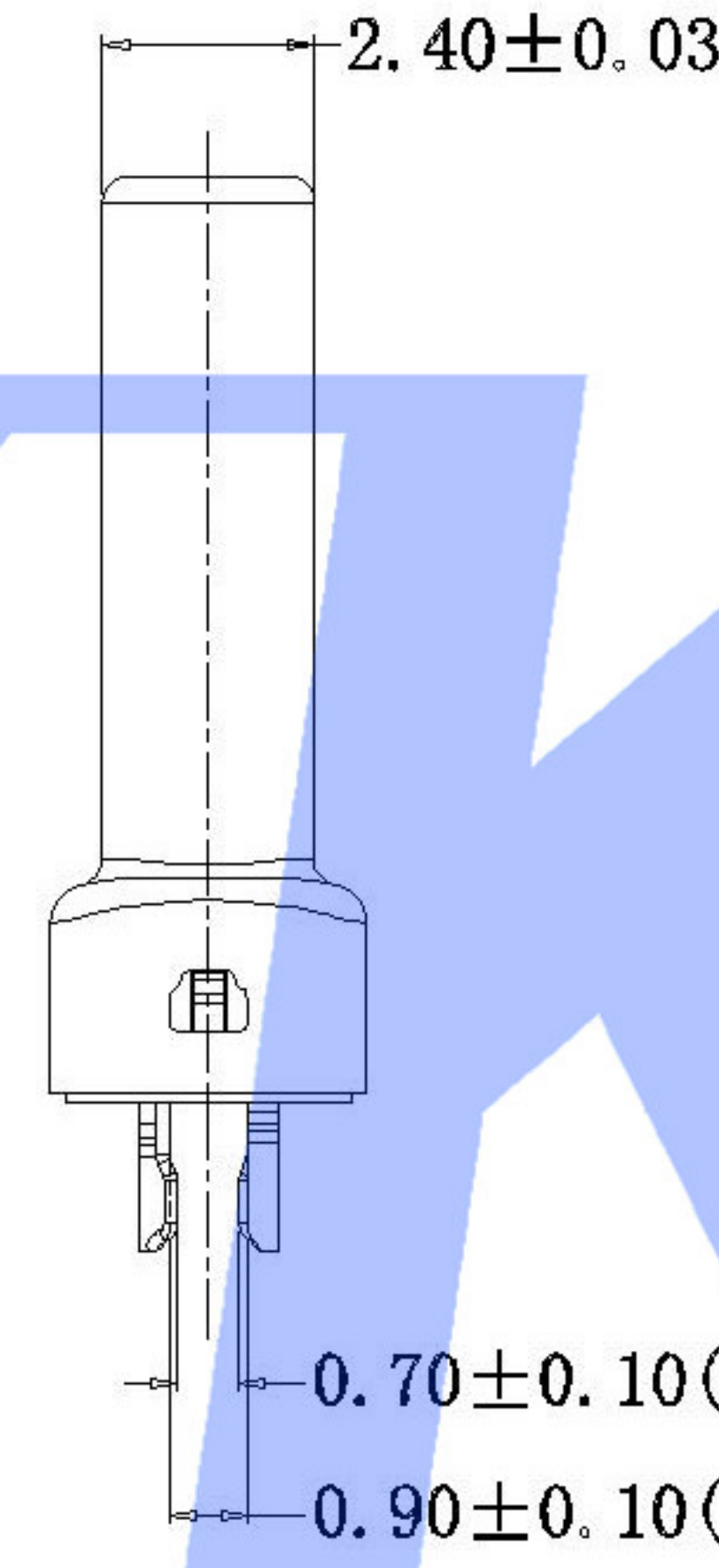
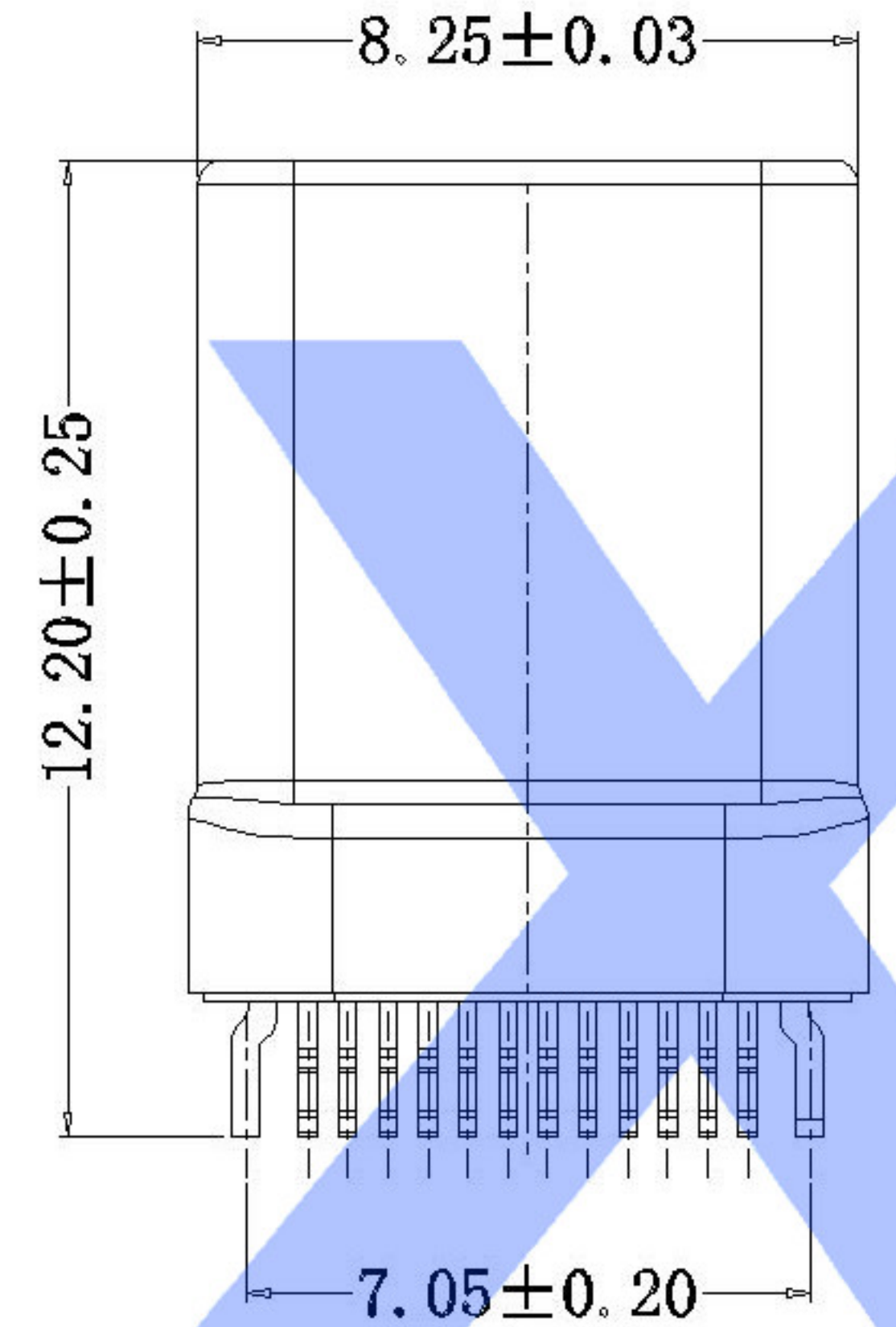
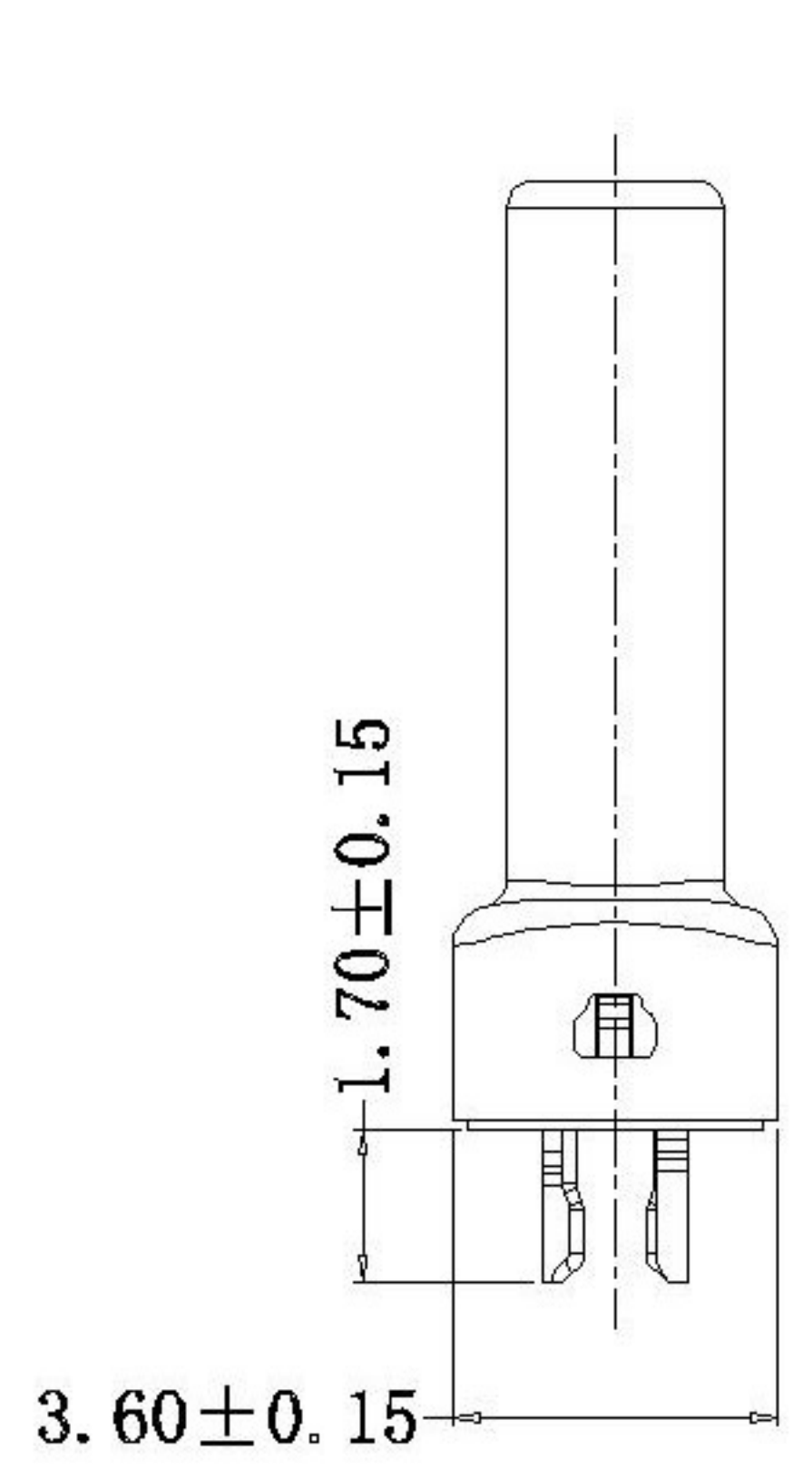


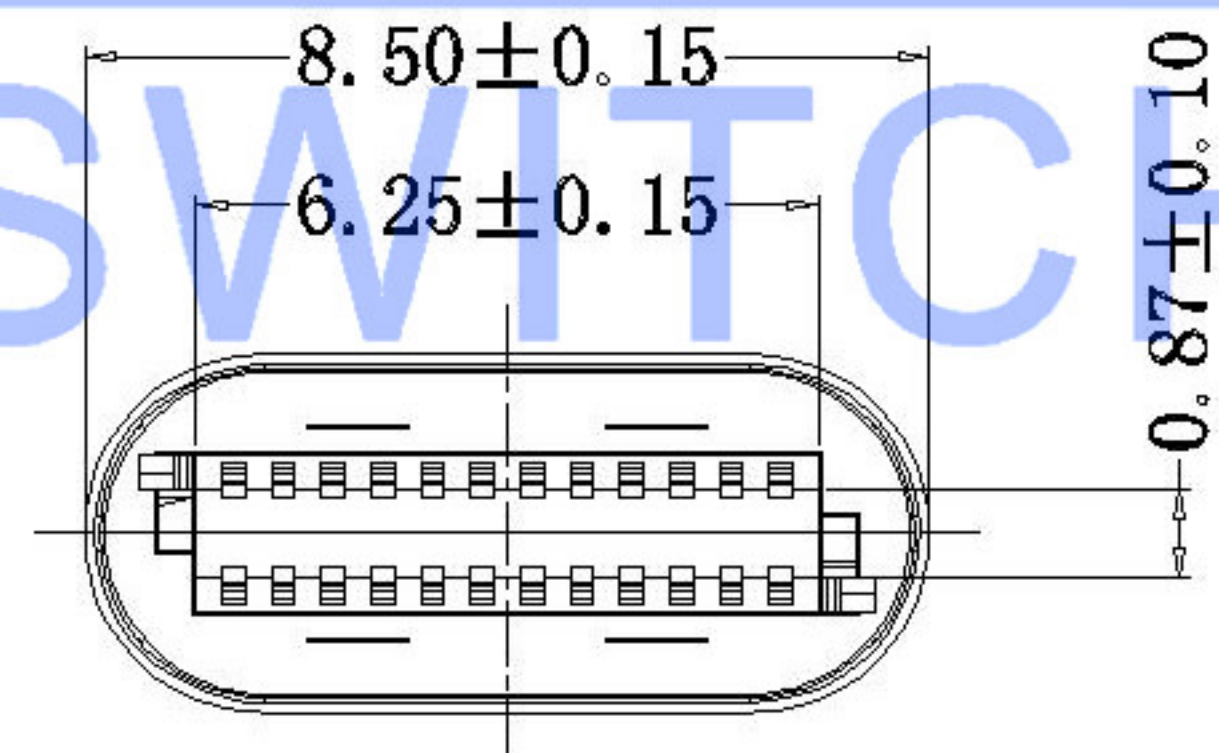
PIN DEFINE TABLE			
PIN	SIGNAL	PIN	SIGNAL
A12	GND	B1	GND
A11	RX2+	B2	TX2+
A10	RX2-	B3	TX2-
A9	VBUS	B4	VBUS
A8	SBU1	B5	VCONN
A7	D-	B6	
A6	D+	B7	
A5	CC	B8	SBU2
A4	VBUS	B9	VBUS
A3	TX1-	B10	RX1-
A2	TX1+	B11	RX1+
A1	GND	B12	GND



Material
 Housing Material: High temperature thermoplastic UL 94V-0
 Contact Terminal: High Grade Copper Alloy
 Metallic Shell: Stainless Steel
 Gnd Latch: Stainless Steel
 Plating
 Data Contact
 Underplating: 50μ" Min. Nickel
 Contact Plating: 1μ" Gold
 Solder Area: 80μ" Matte Tin
 Shell
 Metallic Shell: 50μ" Min. Nickel
 Cover Shell
 Metallic Shell: 80μ" Min. Nickel
 Inner Ground Cover Shell
 Metallic Shell: 50μ" Min. Nickel
 Electrical
 Voltage Rating: 20V DC
 Current Rating: Vbus pins collectively 5.00A, GND pins collectively 6.25A, B5 pin 1.25A, Other pins 0.25A per pin.
 Contact Resistance: 40mΩ Max.
 Insulation resistance: 100 MΩ MIN.
 Dielectric withstanding voltage: 100V AC/Minute
 Mechanical
 Durability: 10,000 cycles

SWITCH CONNECTOR

U261-24XN-4BS60



- 1: Au 1U"
- 2: Au 3U"
- 5: Au 15U"
- 6: Au 30U"
- 1: PBT
- 2: PA6T
- 3: PA9T
- 4: LCP

REVISIONS					UNSPECIFIED TOLERANCES	DSND	DATE	SCALE: N/A	MODEL TYPE: 3.1 TYPE C		
ΔX					ANGLAR ±5°	DWN	DATE	VIEW:	PART NO.:		
ΔX					L ≤ 4 ±0.2	CHKD	DATE	UNIT: mm	DWG NO.: U261-24XN-4BS60		
ΔX					4 < L ≤ 16 ±0.3	APPD	DATE	SIZE: A4			
MARK	DESCRIPTION	DATE	REVISED	APPROVED	16 < L ≤ 63 ±0.4	XKB INDUSTRIAL PRECISION CO., LIMITED			WEIGHT	SHEET	REVISION
					L > 63 ±0.5				1.0g	1/1	A0

X-ON Electronics

Largest Supplier of Electrical and Electronic Components

Click to view similar products for [USB Connectors](#) category:

Click to view products by [XKB](#) manufacturer:

Other Similar products are found below :

[950](#) [A-USB A-LP-SMT-C](#) [A-USB B-TOP-C](#) [MUSBA511N5](#) [MUSBC111M5](#) [MUSBD11135](#) [17-200721](#) [217450-1](#) [KMBVX-TH-5S-B30](#)
[896-30-004-00-000000](#) [KUSBX-AS2N-W](#) [KUSBX-SMT2AP1S-W30](#) [935](#) [957](#) [30-498-6](#) [SK-60A-2](#) [1734082-1](#) [30-1574](#) [30-470](#) [30-489](#) [30-](#)
[541](#) [30-572-3](#) [A-USB A-2P-C](#) [MIKROE-1451](#) [USBFTV2PEM2G](#) [USBFTVSCCG](#) [4689-1](#) [1-1734084-2](#) [MUSBC11135](#) [USBF21ZNSCC](#)
[USBBFTV6ZC](#) [MUSBB151341](#) [10135326-001LF](#) [M9177/3-1](#) [TJ-105](#) [USB-A-S-F-B-VT](#) [4198](#) [690-024-633-031](#) [UB-20PMFP-LC7001](#)
[USBFTVC6MRG](#) [UA-20BMFA-SL8001](#) [17-200011](#) [USBFTVC7ZC](#) [UB-20AFMM-LL7A01](#) [USBFTVC2MN](#) [CAP-WCCMLPB1](#) [1310-](#)
[1031-01](#) [2041386-1](#) [2274475-3](#) [UB-20BMFA-SL8001](#)