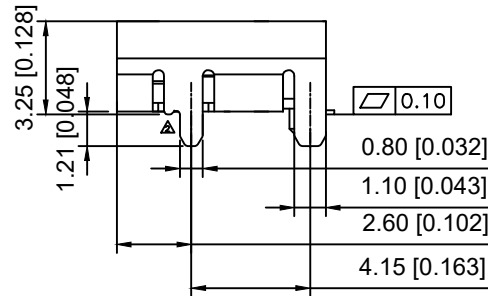
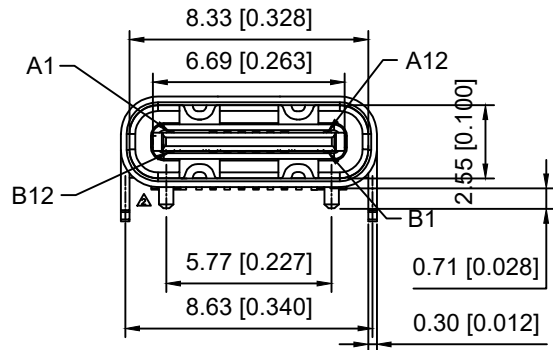
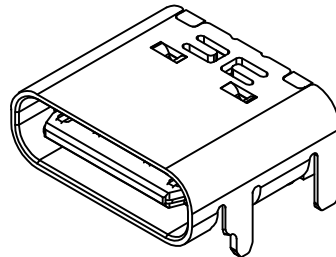
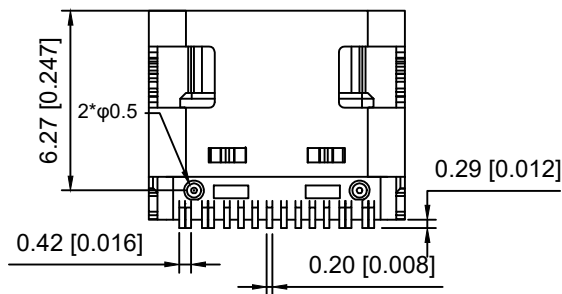


RECOMMENDED P.C.B LAYOUT
TOLERANCE UNSPECIFIED $\pm 0.05\text{mm}$

Material
Housing Material: High temperature thermoplastic. UL94V-0, Black
Contact Terminal: Copper Alloy
Metallic Shell: Stainless Steel
Inner Ground Cover Shell: Stainless Steel
Plating
Data Contact
Underplating: 50 μ " Min. Nickel
Contact Plating: Gold Flash
Solder Area: 80 μ " Matte Tin
Shell
Metallic Shell: 50 μ " Min. Nickel
Electrical
Voltage Rating: 20V DC
Current Rating: Vbus pins collectively 3.00A, GND pins collectively 4.25A, B5 pin 1.25A, Other pins 0.25A per pin
Contact Resistance: 40m Ω Max Initial 50m Ω Max after test
Insulation resistance: 100 M Ω min.
Dielectric withstanding voltage: 100V AC/Minute
Mechanical
Durability: 3,000 cycles
Mating Force: 5 to 20N
Unmating Force: 6 to 20N after test
Environmental and Processing
Operating Temperature: -40°C to +85°C



A1	GND	B12	GND
A4	VBUS	B9	VBUS
A5	CC1	B8	SNU2
A6	DP1	A7	DN2
A7	DN1	A6	DP2
A8	SBU1	A5	CC2
A9	VBUS	A4	VBUS
A12	GND	A1	GND
PIN	SIGNAL NAME	PIN	SIGNAL NAME



U262-16XN-4BVC11

1:AU 1U"
2:AU 3U"
5:AU 15U"
6:AU 30U"

MARK	DESCRIPTION	DATE	REVISED	APPROVED	UNSPECIFIED TOLERANCES	DSND	DATE	SCALE: N/A	MODEL TYPE: 3.1 TYPE C
					ANGLAR $\pm 5^\circ$	DWN	DATE	VIEW:	PART NO.:
					$L \leq 4$ ± 0.2	CHKD	DATE	UNIT: mm/in	DWG NO.:
					$4 < L \leq 16$ ± 0.3	APPD	DATE	SIZE: A4	U262-16XN-4BVC11
					$16 < L \leq 63$ ± 0.4				WEIGHT
					$L > 63$ ± 0.5				SHEET
									REVISION
									1.0g
									1/1
									A0

X-ON Electronics

Largest Supplier of Electrical and Electronic Components

Click to view similar products for [USB Connectors](#) category:

Click to view products by [XKB](#) manufacturer:

Other Similar products are found below :

[950](#) [A-USB B-TOP-C](#) [MUSBA511N5](#) [MUSBC111M5](#) [MUSBD11135](#) [17-200721](#) [217450-1](#) [KMBVX-TH-5S-B30](#) [896-30-004-00-000000](#)
[KUSBX-AS2N-W](#) [KUSBX-SMT2AP1S-W30](#) [935](#) [957](#) [30-498-6](#) [SK-60A-2](#) [1734082-1](#) [30-1574](#) [30-470](#) [30-489](#) [30-541](#) [30-572-3](#) [A-USB](#)
[A-2P-C](#) [MIKROE-1451](#) [USBFTV2PEM2G](#) [USBFTVSCCG](#) [4689-1](#) [1-1734084-2](#) [MUSBC11135](#) [USBF21ZNSCC](#) [USBBFTV6ZC](#)
[MUSBB151341](#) [10135326-001LF](#) [M9177/3-1](#) [TJ-105](#) [USB-A-S-F-B-VT](#) [4198](#) [690-024-633-031](#) [UB-20PMFP-LC7001](#) [USBFTVC6MRG](#)
[UA-20BMFA-SL8001](#) [17-200011](#) [USBFTVC7ZC](#) [UB-20AFMM-LL7A01](#) [USBFTVC2MN](#) [CAP-WCCMLPB1](#) [1310-1031-01](#) [2041386-1](#)
[2274475-3](#) [UB-20BMFA-SL8001](#) [UB-20PMFP-SC8003](#)