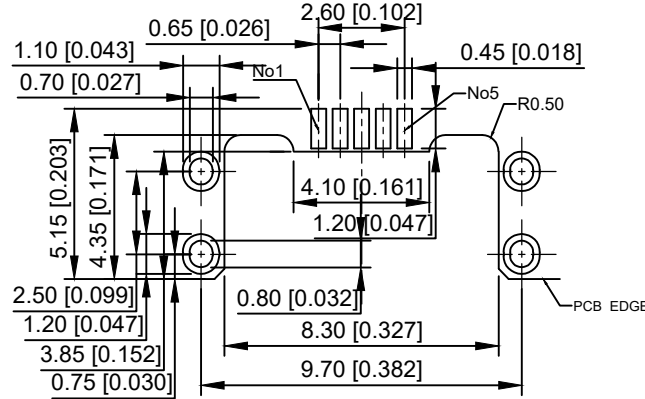
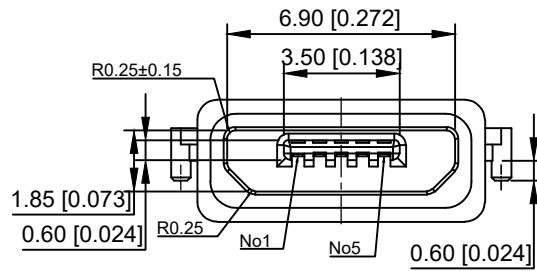
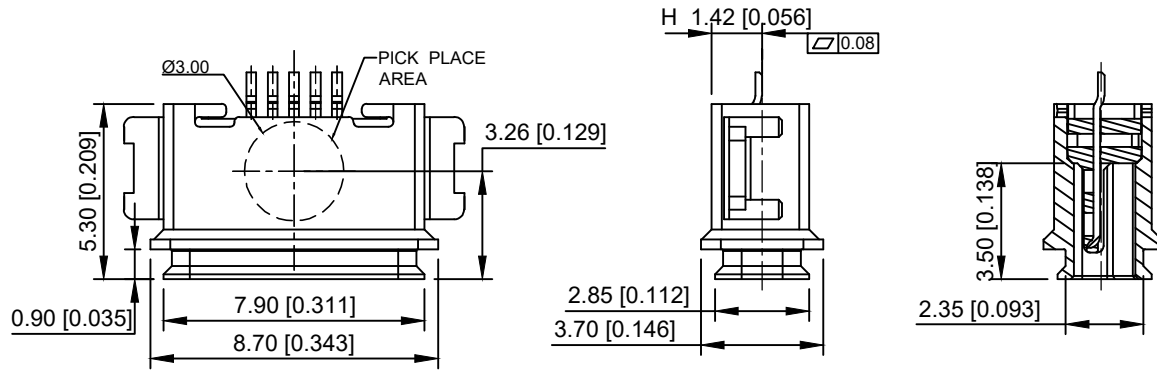


**XKB CONNECTICITY**

**NOTES:**

- 1.MATERIAL:  
HOUSING: THERMOPLASTIC HIGH-TEMP UL94V-0 BLACK COLOR.  
CONTACT: COPPER ALLOY.  
SHELL: STAINLESS STEEL.
- 2.FINISH:  
2.1. TERMINAL CONTACT:(SEE TAB)GOLD PLATING ALL OVER 50u"  
Min NICKEL AND GOLD PLATING G/F ALL OVER 50u" Min NICKEL ON  
SOLDER AREA  
2.2. OUT SHELL:50u" Min. NICKEL ALL OVER
- 3.APPLIED TO IR SOLDERING PROCESS.
4. SPECIFICATION:  
4.1.ELECTRICAL CHARACTERISTICS  
CONTACT CURRENT RATING:Signal pin 1A,Power pin 1.8A  
VOLTAGE RATING:30V AC rms.  
CONTACT RESISTANCE:30mΩ MAX.  
DIELECTRIC WITHSTANDING VOLTANGE:  
UNMATEP CONTACT 100V AC rms. 60MHZ FOR 1 MINUTE.  
INSULATION RESISTANCE:1000MΩ MIN. 100V DC  
TEMPERATURE RANGE:-30°C TO +85°C  
4.2.MECHANICAL:  
INSERTION FORCE:35N MAX.  
▲ WITHDRAWAL FORCE:5N MIN,25N MAX.



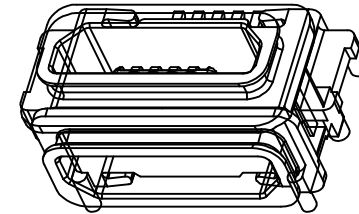
RECOMMENDED PCB LAYOUT  
TOLERANCE:  $\pm 0.03$ mm  
RECOMMEND PCB THICKNESS: 0.60mm

**XKB CONNECTICITY**

**XKB CONNECTICITY**

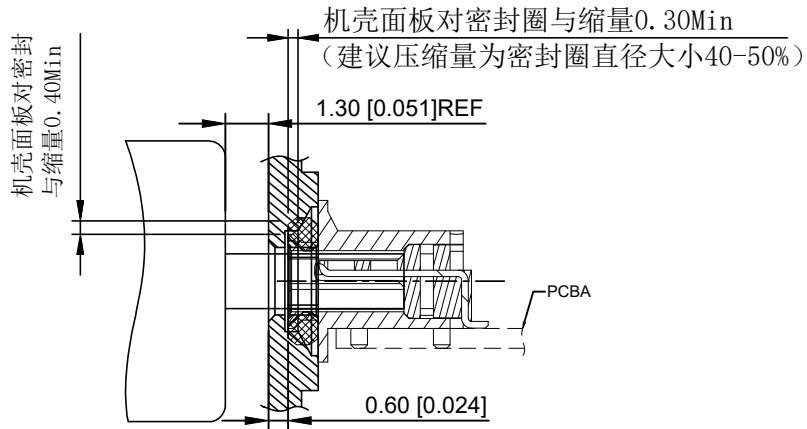
U-E-M8SS-C-1

1:G/F 2:5u" 3:10u"  
4:15u" 5:30u"

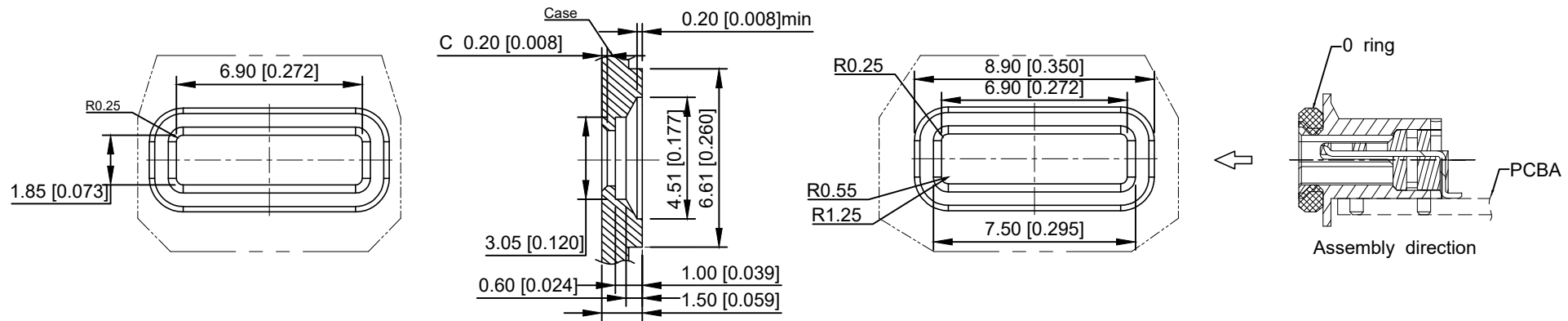
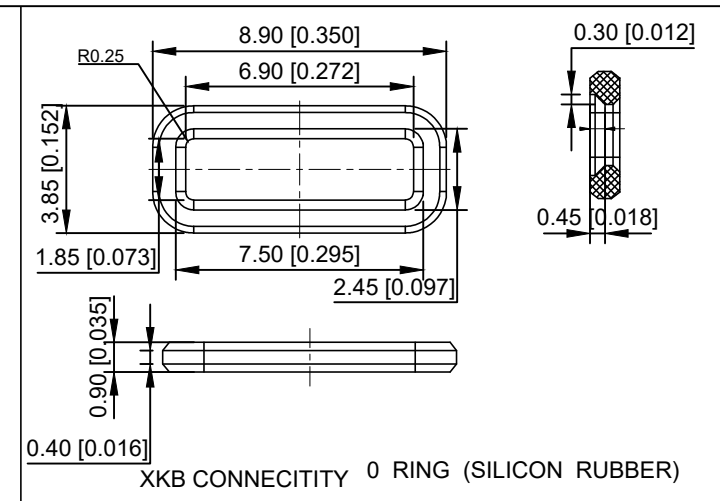


**IP-X8**

					ANGULAR	$\pm 5^\circ$	DSND	DATE	SCALE: N/A	MODEL TYPE: MICRO USB
					$L \leq 4$	$\pm 0.2$	DWN	DATE	VIEW:	PART NO.: U-E-M8SS-C-1
					$4 < L \leq 16$	$\pm 0.3$	CHKD	DATE	UNIT: mm/in	DWG NO.: U-E-M8SS-C-1
					$16 < L \leq 63$	$\pm 0.4$	APPD	DATE	SIZE: A4	
					$L > 63$	$\pm 0.5$				
					UNSPECIFIED TOLERANCES		XKB INDUSTRIAL PRECISION CO., LIMITED			WEIGHT: 1.0g
MARK					DESCRIPTION	DATE	REVISED	APPROVED	SHEET: 1/1	
REVISIONS					UNSPECIFIED TOLERANCES		XKB INDUSTRIAL PRECISION CO., LIMITED			REVISION: A0
www.xk-dg.cn www.helloxkb.com www.helloxkb.cn										



COMPRESSION RATIO TO BE 40%-50%



RECOMMENDED OPEN DIMENSION OF CASE  
TOLERANCE: ±0.03mm  
MATTING AREA WITH SEALING RING  
XKB CONNECTICITY

					DSND		DATE		SCALE: N/A	MODEL TYPE: MICRO USB		
					DWN		DATE		VIEW:	PART NO.: U-E-M8SS-C-1		
					CHKD		DATE		UNIT: mm/in	DWG NO.: U-E-M8SS-C-1		
					APPD		DATE		SIZE: A4			
REVISIONS					UNSPECIFIED TOLERANCES					KXB INDUSTRIAL PRECISION CO., LIMITED		
www.xk-dg.cn www.helloxkb.com www.helloxkb.cn										WEIGHT	SHEET	REVISION
										1.0g	1/1	A0

## X-ON Electronics

Largest Supplier of Electrical and Electronic Components

*Click to view similar products for [USB Connectors](#) category:*

*Click to view products by [XKB](#) manufacturer:*

Other Similar products are found below :

[950](#) [A-USB B-TOP-C](#) [MUSBA511N5](#) [MUSBC111M5](#) [MUSBD11135](#) [17-200721](#) [217450-1](#) [KMBVX-TH-5S-B30](#) [896-30-004-00-000000](#)  
[KUSBX-AS2N-W](#) [KUSBX-SMT2AP1S-W30](#) [935](#) [957](#) [30-498-6](#) [SK-60A-2](#) [1734082-1](#) [30-1574](#) [30-470](#) [30-489](#) [30-541](#) [30-572-3](#) [A-USB](#)  
[A-2P-C](#) [MIKROE-1451](#) [USBFTV2PEM2G](#) [USBFTVSCCG](#) [4689-1](#) [1-1734084-2](#) [MUSBC11135](#) [USBF21ZNSCC](#) [USBBFTV6ZC](#)  
[MUSBB151341](#) [10135326-001LF](#) [M9177/3-1](#) [TJ-105](#) [USB-A-S-F-B-VT](#) [4198](#) [690-024-633-031](#) [UB-20PMFP-LC7001](#) [USBFTVC6MRG](#)  
[UA-20BMFA-SL8001](#) [17-200011](#) [USBFTVC7ZC](#) [UB-20AFMM-LL7A01](#) [USBFTVC2MN](#) [CAP-WCCMLPB1](#) [1310-1031-01](#) [2041386-1](#)  
[2274475-3](#) [UB-20BMFA-SL8001](#) [UB-20PMFP-SC8003](#)