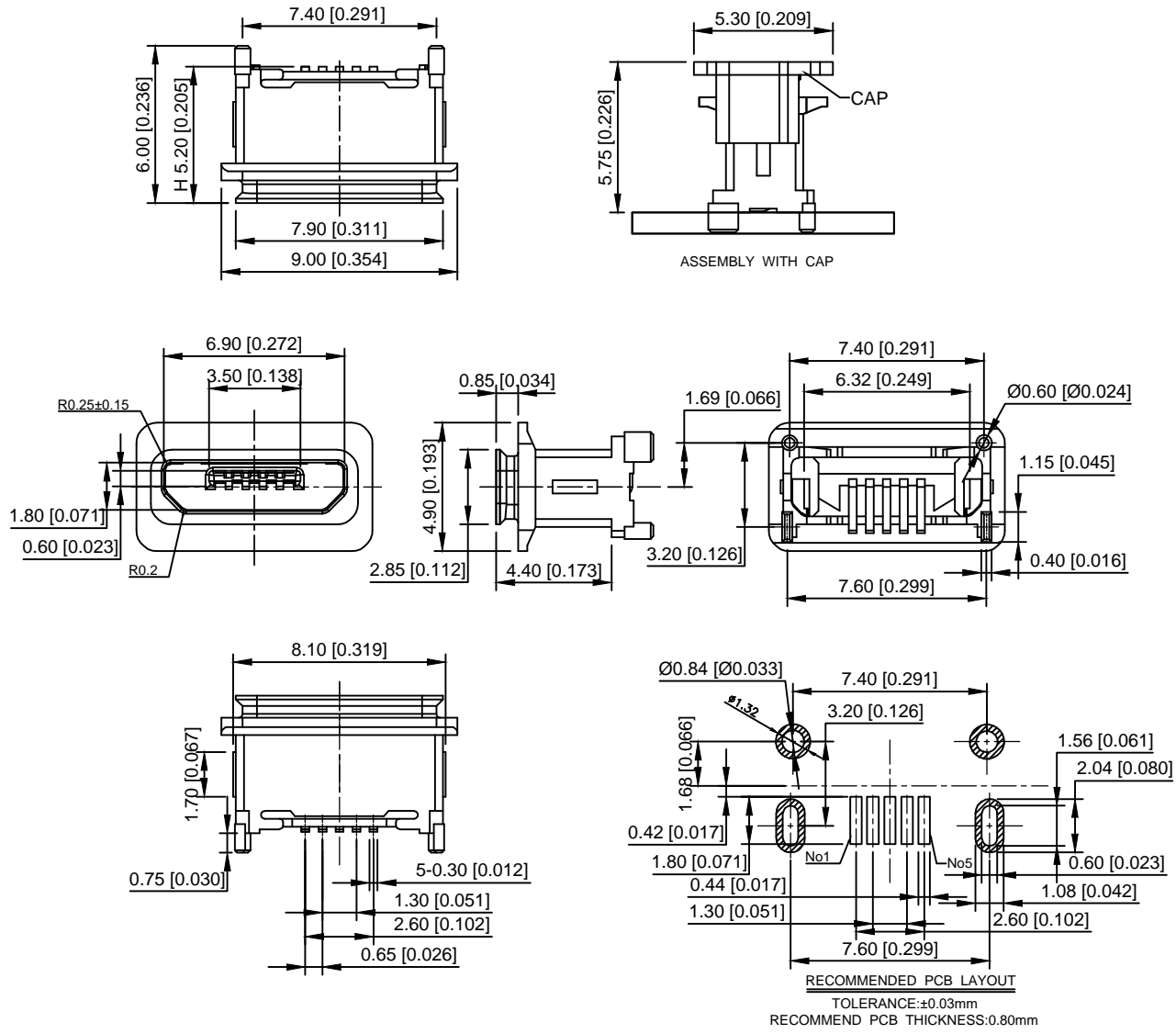


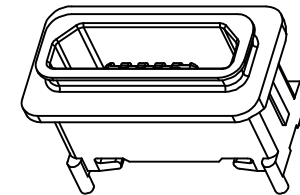
XKB Connectivity



XKB Connectivity

- NOTES:
- MATERIAL:
 - HOUSING: THERMOPLASTIC HIGH-TEMP UL94V-0 BLACK COLOR.
 - CONTACT: COPPER ALLOY
 - SHELL: STAINLESS STEEL.
 - FINISH:
 - CONTACT: SEE TABLE 1.
 - OUT SHELL: 50u"Min. NICKEL ALL OVER
 - APPLIED TO IR SOLDERING PROCESS.
 - SPECIFICATION:
 - ELECTRICAL CHARACTERISTICS
 - CONTACT CURRENT RATING: Signal pin 1A, Power pin 1.8A
 - VOLTAGE RATING: 30V AC rms.
 - CONTACT RESISTANCE: 30mΩ MAX.
 - DIELECTRIC WITHSTANDING VOLTAGE: UNMATEP CONTACT 100V AC rms. 60MHZ FOR 1 MINUTE.
 - INSULATION RESISTANCE: 1000MQ MIN. 100V DC
 - TEMPERATURE RANGE: -30 TO +85
 - MECHANICAL:
 - INSERTION FORCE: 35N MAX.
 - WITHDRAWAL FORCE: 8N~25N.
 - DURABILITY: 10.000 CYCLES

U-E-M8SS-W-1
 1:G/F 2:5u" 3:10u"
 4:15u" 5:30u"

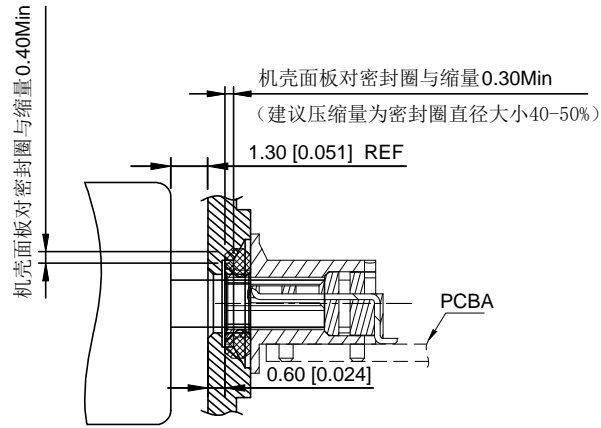


IP-X8

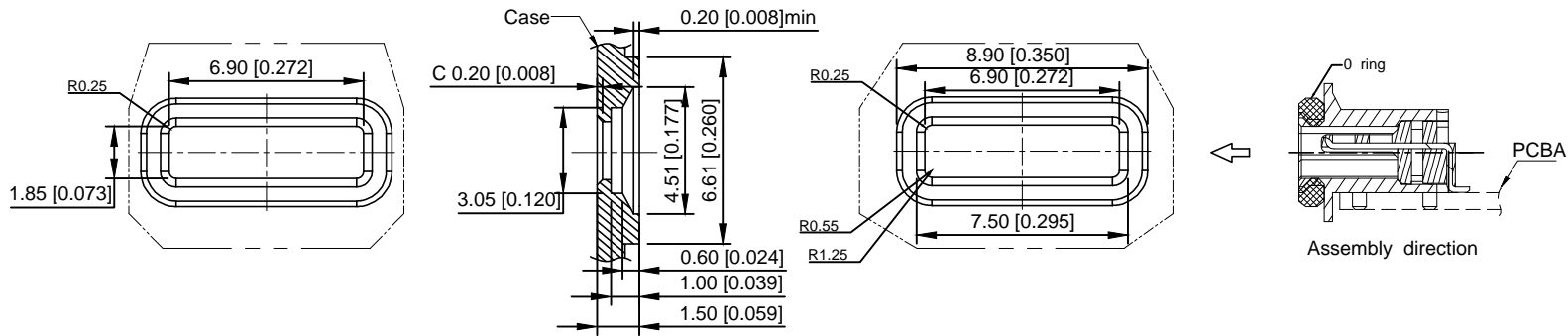
XKB Connectivity

					ANGLAR	±5°	DSND		DATE		SCALE: N/A	MODEL TYPE:
					L ≤ 4	±0.2	DWN		DATE		VIEW:	MICRO USB
					4 < L ≤ 16	±0.3	CHKD		DATE		UNIT: mm/in	PART NO.:
					16 < L ≤ 63	±0.4	APPD		DATE		SIZE: A4	U-E-M8SS-W-1
					L > 63	±0.5						DWG NO.:
					UNSPECIFIED TOLERANCES							U-E-M8SS-W-1
REVISIONS					XKB INDUSTRIAL PRECISION CO., LIMITED			WEIGHT	SHEET	REVISION		
www.xk-dg.cn www.helloxkb.com www.helloxkb.cn								1.0g	1/1	A0		

XKB Connectivity

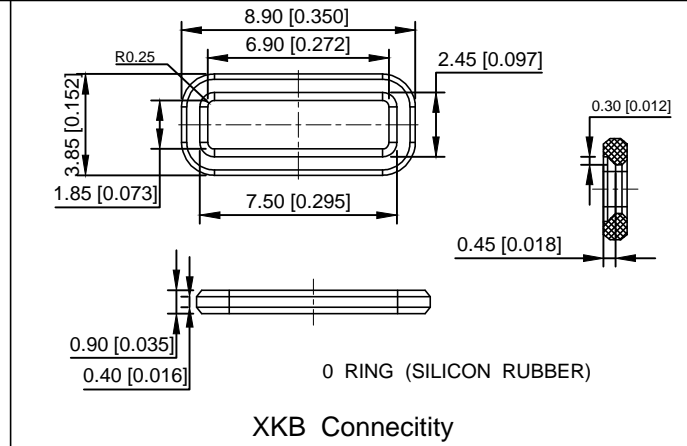


COMPRESSION RATIO TO BE 40%-50%



RECOMMENDED OPEN DIMENSION OF CASE

TOLERANCE: ± 0.03 mm
MATTING AREA WITH SEALING RING



					ANGLAR	$\pm 5^\circ$	DSND		DATE		SCALE: N/A	MODEL TYPE: MICRO USB		
Δ X						$L \leq 4$	± 0.2	DWN		DATE	VIEW:	PART NO.: U-E-M8SS-W-1		
Δ X						$4 < L \leq 16$	± 0.3	CHKD		DATE	UNIT: mm/in	DWG NO.: U-E-M8SS-W-1		
Δ X						$16 < L \leq 63$	± 0.4	APPD		DATE	SIZE: A4			
MARK	DESCRIPTION					$L > 63$	± 0.5							
REVISIONS						UNSPECIFIED TOLERANCES	XKB INDUSTRIAL PRECISION CO., LIMITED					WEIGHT	SHEET	REVISION
www.xk-dg.cn www.helloxkb.com www.helloxkb.cn											1.0g	1/1	A0	

X-ON Electronics

Largest Supplier of Electrical and Electronic Components

Click to view similar products for [USB Connectors](#) category:

Click to view products by [XKB](#) manufacturer:

Other Similar products are found below :

[950](#) [A-USB B-TOP-C](#) [MUSBA511N5](#) [MUSBC111M5](#) [MUSBD11135](#) [17-200721](#) [217450-1](#) [KMBVX-TH-5S-B30](#) [896-30-004-00-000000](#)
[KUSBX-AS2N-W](#) [KUSBX-SMT2AP1S-W30](#) [935](#) [957](#) [30-498-6](#) [SK-60A-2](#) [1734082-1](#) [30-1574](#) [30-470](#) [30-489](#) [30-541](#) [30-572-3](#) [A-USB](#)
[A-2P-C](#) [MIKROE-1451](#) [USBFTV2PEM2G](#) [USBFTVSCCG](#) [4689-1](#) [1-1734084-2](#) [MUSBC11135](#) [USBF21ZNSCC](#) [USBBFTV6ZC](#)
[MUSBB151341](#) [10135326-001LF](#) [M9177/3-1](#) [TJ-105](#) [USB-A-S-F-B-VT](#) [4198](#) [690-024-633-031](#) [UB-20PMFP-LC7001](#) [USBFTVC6MRG](#)
[UA-20BMFA-SL8001](#) [17-200011](#) [USBFTVC7ZC](#) [UB-20AFMM-LL7A01](#) [USBFTVC2MN](#) [CAP-WCCMLPB1](#) [1310-1031-01](#) [2041386-1](#)
[2274475-3](#) [UB-20BMFA-SL8001](#) [UB-20PMFP-SC8003](#)