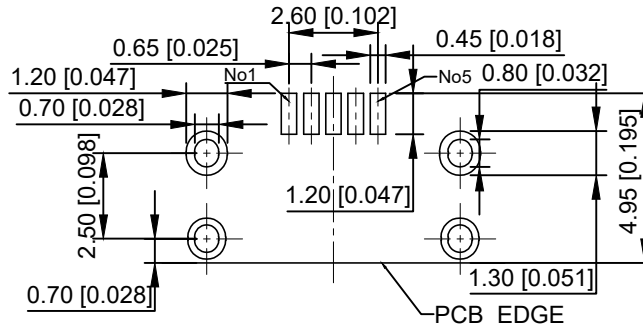
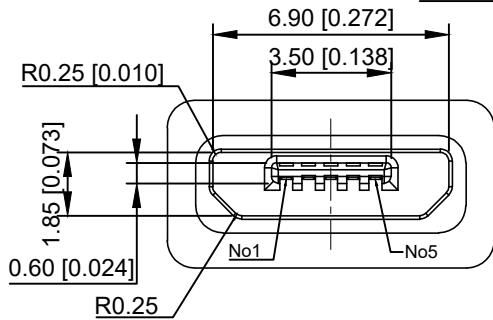


XKB CONNECITITY

NOTES:

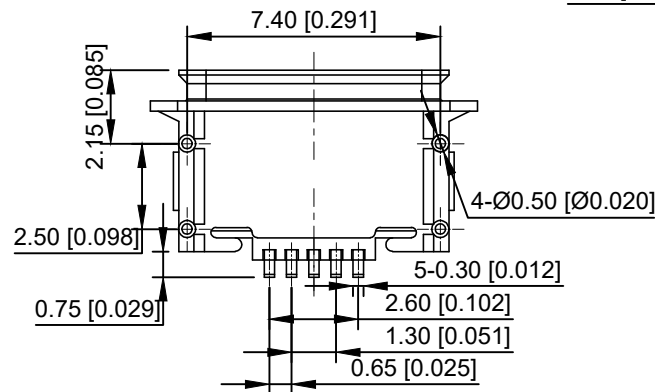
- 1.MATERIAL:
HOUSING: THERMOPLASTIC HIGH-TEMP UL94V-O BLACK COLOR
CONTACT: COPPER ALLOY
SHELL: STAINLESS STEEL
- 2.FINISH:
2.1. TERMINAL CONTACT(SEE TAB)The minimum nickel plating base of the terminal is 50u", the contactpart is plated with Gold-plated 30u", and the solder foot area is plated with Tin plating 75u"-150u".
2.2. OUT SHELL:50u"Min. NICKEL ALL OVER
- 3.APPLIED TO IR SOLDERING PROCESS
- 4.SPECIFICATION:
4.1.ELECTRICAL CHARACTERISTICS
CONTACT CURRENT RATING:Signal PIN 1A,Power PIN 1.8A.
VOLTAGE RATING:30V AC rms.
CONTACT RESISTANCE:30mΩ MAX.
DIELECTRIC WITHSTANDING VOLTANGE:
UNMATEP CONTACT 100V AC rms. 60MHZ FOR 1 MINUTE
INSULATION RESISTANCE:1000MΩ MIN.100V DC
TEMPERATURE RANGE:-30°C TO+85°C
- 4.2.MECHANICAL:
INSERTION FORCE:35N MAX.
WITHDRAWAL FORCE:5N MIN25N MAX.



XKB CONNECITITY

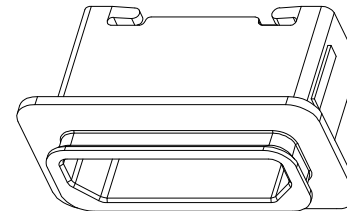
U-E-M8SS-Y-1

1:G/F 4:15u" 5:30u"



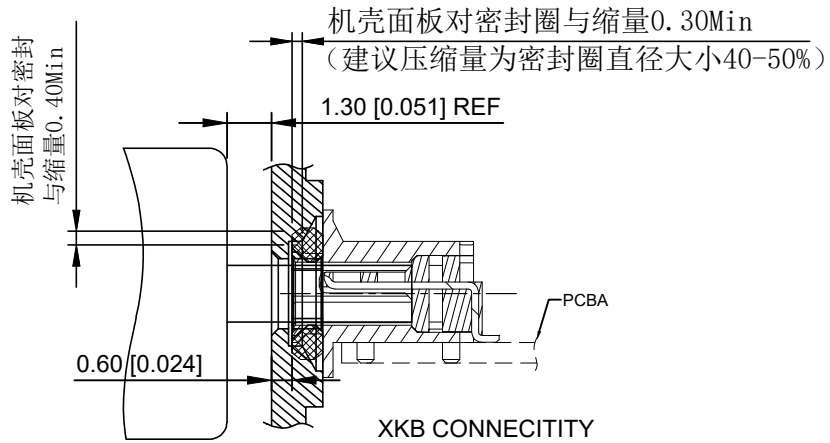
RECOMMENDED PCB LAYOUT
TOLERANCE:±0.03mm
RECOMMEND PCB THICKNESS:0.60mm

XKB CONNECITITY

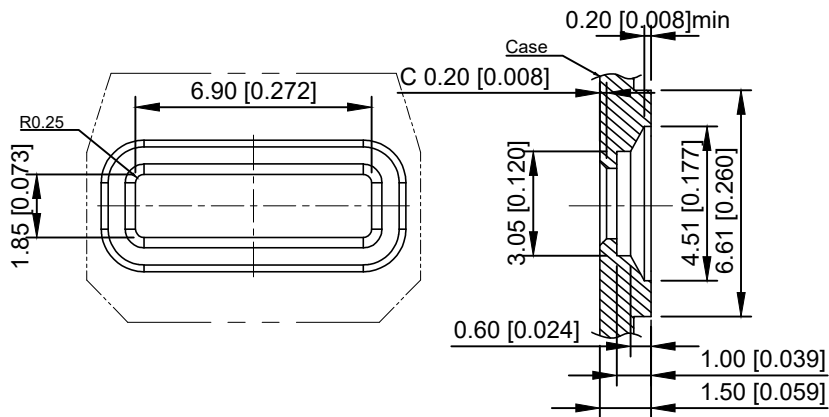
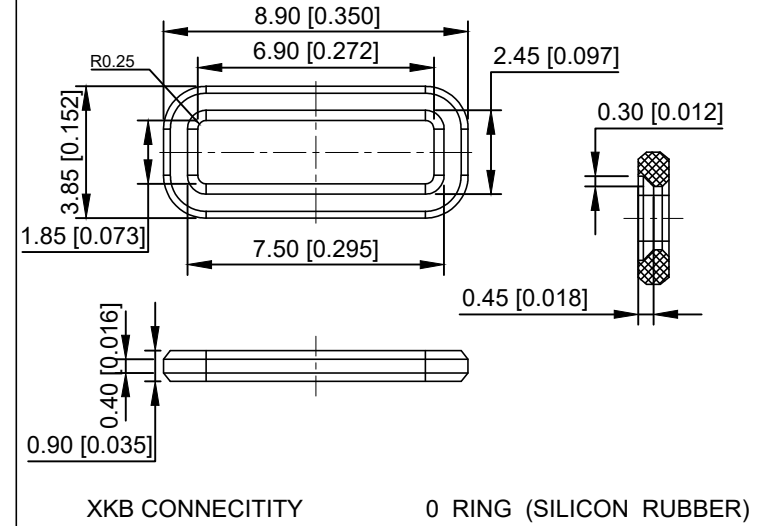


IP-X8

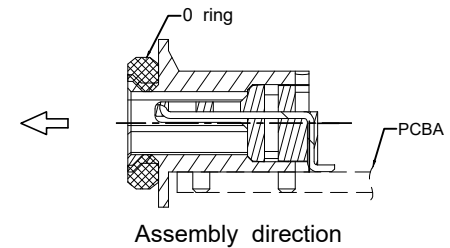
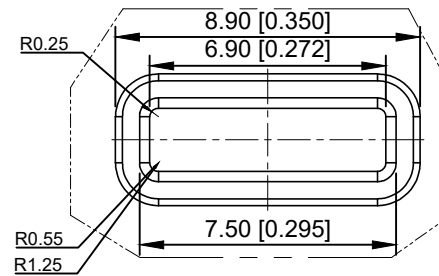
					ANGLAR	±5°	DSND	DATE	SCALE: N/A	MODEL TYPE: MICRO USB		
					L ≤ 4	±0.2	DWN	DATE	VIEW:	PART NO.: U-E-M8SS-Y-1		
					4 < L ≤ 16	±0.3	CHKD	DATE	UNIT: mm/in	DWG NO.: U-E-M8SS-Y-1		
					16 < L ≤ 63	±0.4	APPD	DATE	SIZE: A4			
					L > 63	±0.5						
					UNSPECIFIED TOLERANCES		XKB INDUSTRIAL PRECISION CO., LIMITED			WEIGHT	SHEET	REVISION
										1.0g	1/1	A0
MARK	DESCRIPTION	DATE	REVISED	APPROVED								
REVISIONS												
www.xk-dg.cn www.helloxkb.com www.helloxkb.cn												



COMPRESSION RATIO TO BE 40%-50%



RECOMMENDED OPEN DIMENSION OF CASE
TOLERANCE: ±0.03mm
MATTING AREA WITH SEALING RING



					ANGLAR	±5°	DSND	DATE	SCALE: N/A	MODEL TYPE: MICRO USB		
					L ≤ 4	±0.2	DWN	DATE	VIEW:	PART NO.: U-E-M8SS-Y-1		
					4 < L ≤ 16	±0.3	CHKD	DATE	UNIT: mm/in	DWG NO.: U-E-M8SS-Y-1		
					16 < L ≤ 63	±0.4	APPD	DATE	SIZE: A4			
					L > 63	±0.5						
					UNSPECIFIED TOLERANCES		XKB INDUSTRIAL PRECISION CO., LIMITED			WEIGHT	SHEET	REVISION
										1.0g	1/1	A0
MARK	DESCRIPTION	DATE	REVISED	APPROVED								
REVISIONS												
www.xk-dg.cn www.helloxkb.com www.helloxkb.cn												

X-ON Electronics

Largest Supplier of Electrical and Electronic Components

Click to view similar products for [USB Connectors](#) category:

Click to view products by [XKB](#) manufacturer:

Other Similar products are found below :

[950](#) [A-USB B-TOP-C](#) [MUSBA511N5](#) [MUSBC111M5](#) [MUSBD11135](#) [17-200721](#) [217450-1](#) [KMBVX-TH-5S-B30](#) [896-30-004-00-000000](#)
[KUSBX-AS2N-W](#) [KUSBX-SMT2AP1S-W30](#) [935](#) [957](#) [30-498-6](#) [SK-60A-2](#) [1734082-1](#) [30-1574](#) [30-470](#) [30-489](#) [30-541](#) [30-572-3](#) [A-USB](#)
[A-2P-C](#) [MIKROE-1451](#) [USBFTV2PEM2G](#) [USBFTVSCCG](#) [4689-1](#) [1-1734084-2](#) [MUSBC11135](#) [USBF21ZNSCC](#) [USBBFTV6ZC](#)
[MUSBB151341](#) [10135326-001LF](#) [M9177/3-1](#) [TJ-105](#) [USB-A-S-F-B-VT](#) [4198](#) [690-024-633-031](#) [UB-20PMFP-LC7001](#) [USBFTVC6MRG](#)
[UA-20BMFA-SL8001](#) [17-200011](#) [USBFTVC7ZC](#) [UB-20AFMM-LL7A01](#) [USBFTVC2MN](#) [CAP-WCCMLPB1](#) [1310-1031-01](#) [2041386-1](#)
[2274475-3](#) [UB-20BMFA-SL8001](#) [UB-20PMFP-SC8003](#)