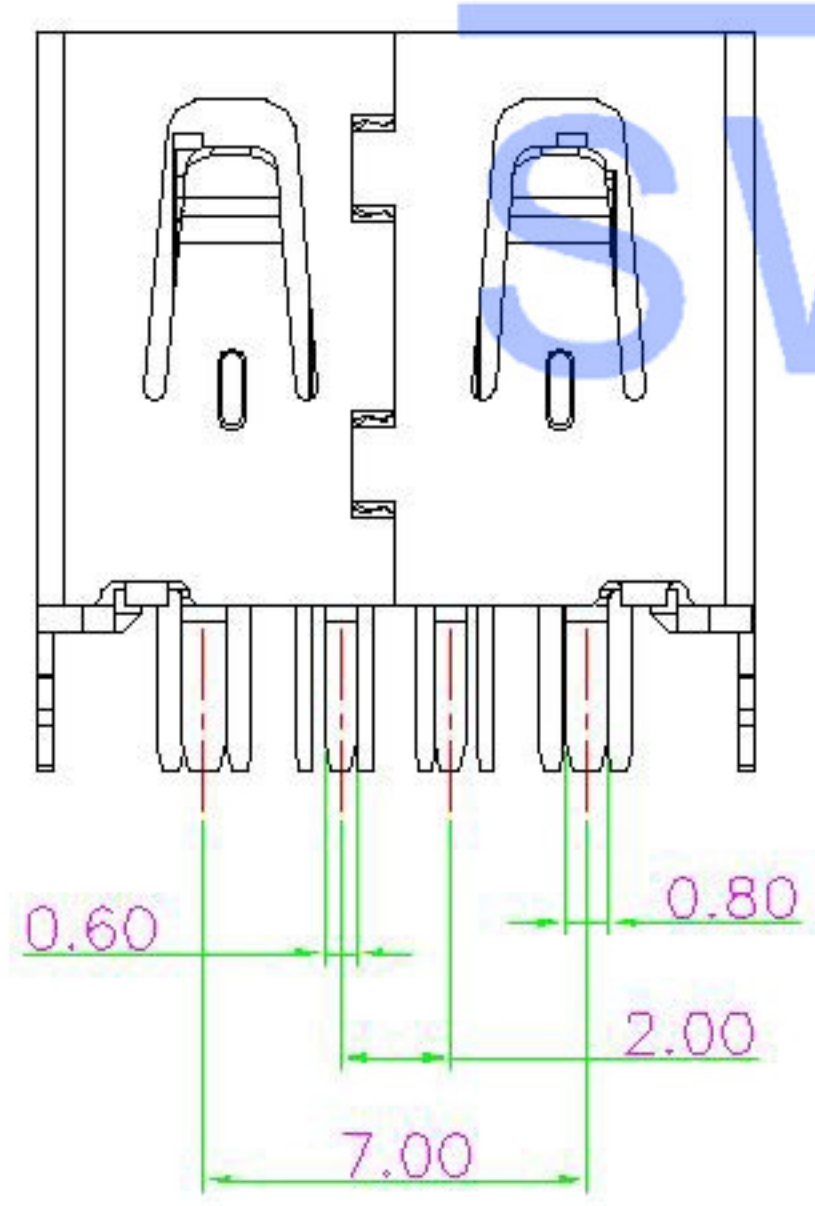


Recommended P.C.B. Layout
Tolerance: ±0.05



- SPECIFICATION:
- CURRENT RATING:
a:TYPE-C: 8.0A MAX
b:USB2.0: 5.0A MAX
 - Withstanding Voltage: 100V AC
 - TEMPERATURE RANGE: -30 °C ~ 85 °C
 - CONTACT RESISTANCE: 40 MILLIONHM MAX
 - INSULATION RESISTANCE: 100 MEGOHMS
 - INSERTION FORCE : 5N~20N
 - UNMATING FORCE: 8N~20N (1~1000次)
6N~20N (10000次之荷)
 - DURABILITY: 10,000 CYCLES

USB3.1-TPYE-C-L B 01T-2

HOUSING MATERIAL
L=LCP

HOUSING COLOR
B=BLACK
W=WHITE

PACKAGE TYPE

CONTACT PLATING
01=G/F

NO.	DESCRIPTION	MATERIAL	COLOR	REMARK
7	TYPE C MD	HIGH TEMP	BLACK	UL 94V-0
6	CENTER PIECE	STAINLESS STEEL	—	NO Plated
5	TYPE C TERMINAL	COPPER ALLOY	—	Gold Plated
4	CLIP	SEE NOTE	—	Ni Plated
3	USB TERMINAL	COPPER ALLOY	—	Gold Plated
2	SHELL	SEE NOTE	—	Ni Plated
1	HOUSING	HIGH TEMP	BLACK	UL 94V-0

MARK	DESCRIPTION	DATE	REVISED	APPROVED	UNSPECIFIED TOLERANCES
ΔX					ANGLAR ±5°
ΔX					L ≤ 4 ±0.2
ΔX					4 < L ≤ 16 ±0.3
MARK					16 < L ≤ 63 ±0.4
					L > 63 ±0.5

DSND	DATE	SCALE: N/A	MODEL TYPE:
DWN	DATE	VIEW:	TYPE-C CONNECTOR
CHKD	DATE	UNIT: mm	PART NO.: USB3.1-TPYE-C-L B 01T-2
APPD	DATE	SIZE: A4	DWG NO.: USB3.1-TPYE-C-L B 01T-2
XKB INDUSTRIAL PRECISION CO.,LIMITED			WEIGHT SHEET REVISION 1.0g 1/1 A0

X-ON Electronics

Largest Supplier of Electrical and Electronic Components

Click to view similar products for [USB Connectors](#) category:

Click to view products by [XKB](#) manufacturer:

Other Similar products are found below :

[10033527-N3112MLF](#) [17-210561](#) [GMCB05B11124H1EU](#) [17-200931](#) [65-647-8-BK-BU](#) [690-010-295-484](#) [73725-1191BLF](#) [950](#) [E8144-B01021-L](#) [A-USB A-LP-SMT-C](#) [A-USB B-TOP-C](#) [MUSBA511N5](#) [MUSBB15131](#) [MUSBC111M5](#) [MUSBD11135](#) [217450-1](#) [CA 6 W LD](#)
[896-30-004-00-000000](#) [KUSBVX-BS1N-W30](#) [KUSBX-AP-KIT-SCBLK](#) [KUSBX-AS2N-W](#) [KUSBX-SMT2AP1S-W](#) [KUSBX-SMTAS1NBTR](#) [KUSBX-SMTBS1NBTR](#) [30-498-6](#) [SK-60A-2](#) [17-200261](#) [17-210051](#) [1734082-1](#) [FK-37-32SL](#) [30-1574](#) [30-470](#) [30-489](#) [30-541](#) [30-572-3](#) [30-9503](#) [M9177/2-1](#) [MAB 5 S](#) [MIKROE-1451](#) [33UBBR-04SW11R](#) [USBFTV2PEM2G](#) [USBFTVC6ZN](#) [USBFTVSCCG](#)
[KUSBX-AS2N-W30](#) [KUSBX-SLAS1N-W](#) [KUSBX-SLAS1N-W30](#) [1-1734084-2](#) [E8110-001-01](#) [MUSBC11135](#) [NK-27-32SL](#)