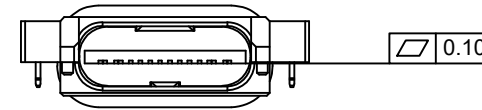
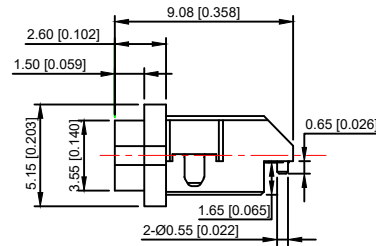
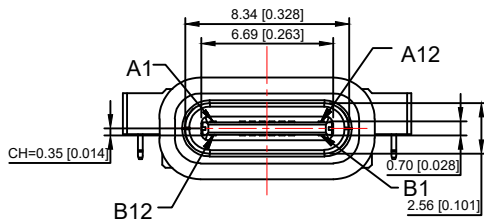


### XKB CONNECITY

#### NOTES:

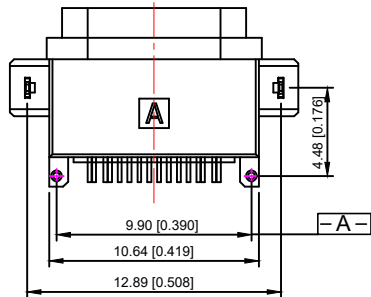
#### SPECIFICATION:

- 1.CURRENT RATING:3.0A MAX
- 2.DIELECTRIC WITHSTAND VOLTAGE:100VAC
- 3.TEMPERATURERANGE:-30 ~85
- 4.CONTACT RESISTANCE:40 MILLIONHM MAX
- 5.INSULATION RESISTANCE: 100 MEGOHMS MIN.
- 6.INSERTION FORCE:5N~20N
- 7.UNMATINGFORCE:8N~20N
- 8.DURABILITY:10.000 CYCLES

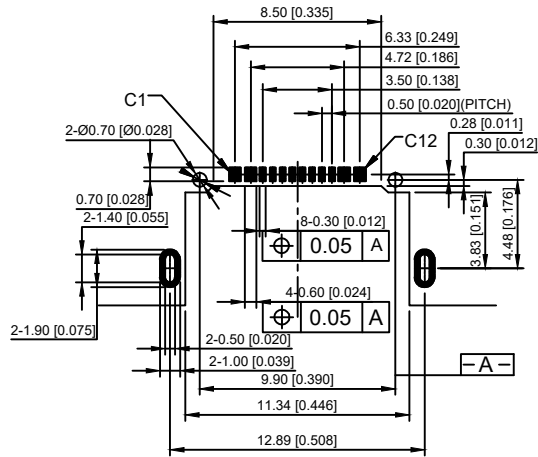


### XKB CONNECITY

ITEM	PART NAME	Q'TY	FINISH	NOTE
3	Shell	1	PA9T (G.F30%)	
2	Contact	5	Phosphor bronze C5191R-EH Au/Ni Plating T=0.12mm	
1	Housing	1	LCP (G.F30%)	

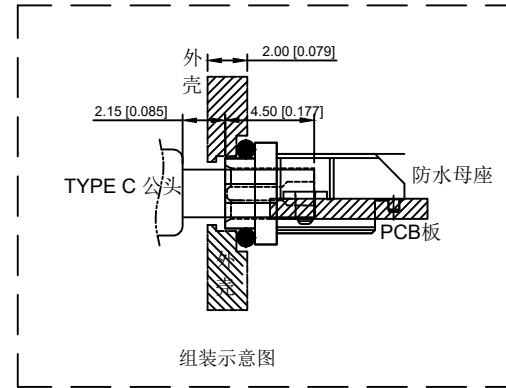


REVISIONS					UNSPECIFIED TOLERANCES	DSND	DATE	SCALE: N/A	MODEL TYPE: 3.1 TYPE C		
ΔX					ANGULAR						
ΔX					L ≤ 4			VIEW:	PART NO.:		
ΔX					4 < L ≤ 16			UNIT: mm/in	DWG NO.:		
MARK	DESCRIPTION	DATE	REVISED	APPROVED	16 < L ≤ 63			SIZE: A4	USB31-TYPEC-16X7C-1FS		
					L > 63						
www.xk-dg.cn www.helloxkb.com www.helloxkb.cn						XKB INDUSTRIAL PRECISION CO.,LIMITED			WEIGHT	SHEET	REVISION
									1.0g	1/1	A0



**RECOMMENDED PCB LAYOUT(TOP VIEW)**

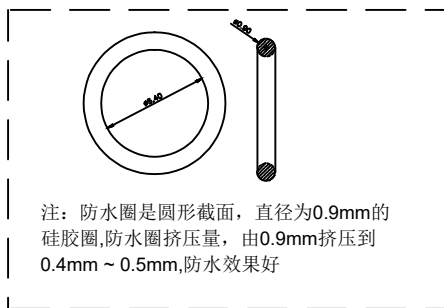
THICKNESS T=1.0mm  
DEFAULT TOLERANCE+/-0.05



**XKB CONNECITY**

INTERFACE(FRONT VIEW)

A1	A2	A3	A4	A5	A6	A7	A8	A9	A10	A11	A12
GND			VBUS	CC1	DP1	DN1	SBU1	VBUS			GND
GND			VBUS	SBU2	DN2	DP2	CC2	VBUS			GND
B12	B11	B10	B9	B8	B7	B6	B5	B4	B3	B2	B1



注：防水圈是圆形截面，直径为0.9mm的硅胶圈,防水圈挤压量，由0.9mm挤压到0.4mm ~ 0.5mm,防水效果好

**PIN ASSIGNMENT**

PIN NO.	A1&B12	A4&B9	B8	A5	B7	A6	A7	B6	A8	B5	A9&B4	A12&B1
SINGAL NAME	GND	VBUS	SBU2	CC1	DN2	DP1	DN1	DP2	SBU1	CC2	VBUS	GND
PCB PAD NO.	C1	C2	C3	C4	C5	C6	C7	C8	C9	C10	C11	C12

					ANGULAR	±5°	DSND	DATE	SCALE: N/A	MODEL TYPE:	3.1 TYPE C	
Δx					L ≤ 4	±0.2	DWN	DATE	VIEW:	PART NO.:		
Δx					4 < L ≤ 16	±0.3	CHKD	DATE	UNIT: mm/in	DWG NO.:		
Δx					16 < L ≤ 63	±0.4	APPD	DATE	SIZE: A4	USB31-TYPEC-16X7C-1FS		
MARK	DESCRIPTION	DATE	REVISED	APPROVED	L > 63	±0.5				WEIGHT	SHEET	REVISION
REVISIONS					UNSPECIFIED TOLERANCES		XKB INDUSTRIAL PRECISION CO., LIMITED			1.0g	1/1	A0
www.xk-dg.cn www.helloxkb.com www.helloxkb.cn												

## X-ON Electronics

Largest Supplier of Electrical and Electronic Components

*Click to view similar products for [USB Connectors](#) category:*

*Click to view products by [XKB](#) manufacturer:*

Other Similar products are found below :

[950](#) [A-USB B-TOP-C](#) [MUSBA511N5](#) [MUSBC111M5](#) [MUSBD11135](#) [17-200721](#) [217450-1](#) [KMBVX-TH-5S-B30](#) [896-30-004-00-000000](#)  
[KUSBX-AS2N-W](#) [KUSBX-SMT2AP1S-W30](#) [935](#) [957](#) [30-498-6](#) [SK-60A-2](#) [1734082-1](#) [30-1574](#) [30-470](#) [30-489](#) [30-541](#) [30-572-3](#) [A-USB](#)  
[A-2P-C](#) [MIKROE-1451](#) [USBFTV2PEM2G](#) [USBFTVSCCG](#) [4689-1](#) [1-1734084-2](#) [MUSBC11135](#) [USBF21ZNSCC](#) [USBBFTV6ZC](#)  
[MUSBB151341](#) [10135326-001LF](#) [M9177/3-1](#) [TJ-105](#) [USB-A-S-F-B-VT](#) [4198](#) [690-024-633-031](#) [UB-20PMFP-LC7001](#) [USBFTVC6MRG](#)  
[UA-20BMFA-SL8001](#) [17-200011](#) [USBFTVC7ZC](#) [UB-20AFMM-LL7A01](#) [USBFTVC2MN](#) [CAP-WCCMLPB1](#) [1310-1031-01](#) [2041386-1](#)  
[2274475-3](#) [UB-20BMFA-SL8001](#) [UB-20PMFP-SC8003](#)