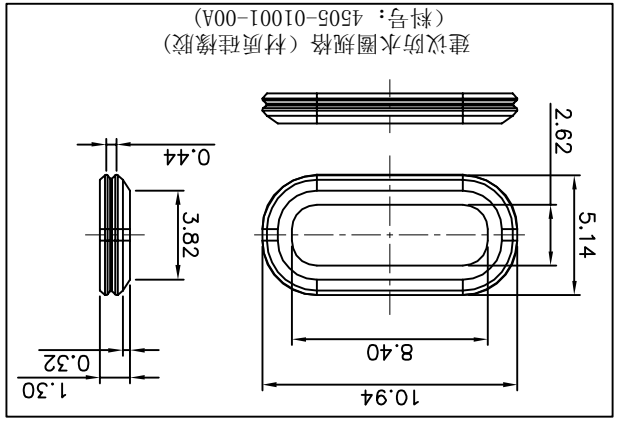
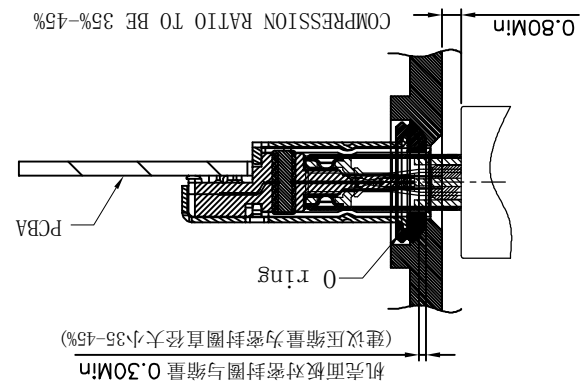
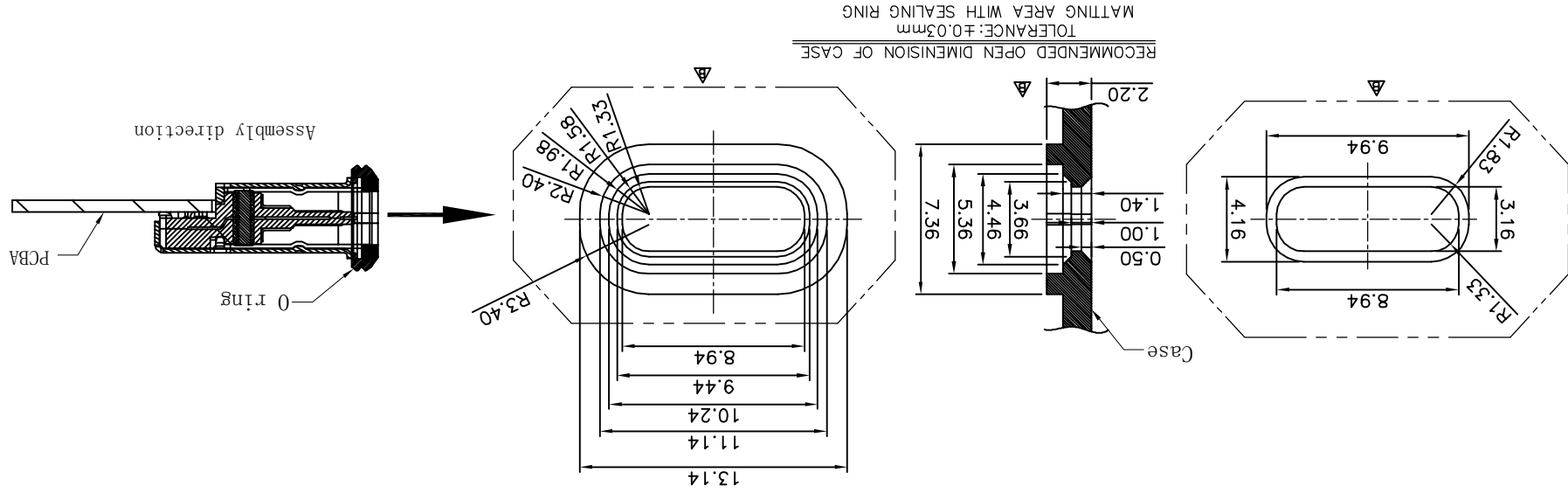


MARK		REVISIONS				UNSPECIFIED TOLERANCES				www.xk-dg.cn www.hellokcb.com www.hellokcb.cn			
ΔX		DESCRIPTION	DATE	REVISED	APPROVED	L > 63	±0.5						
ΔX						16 < L ≤ 63	±0.4						
ΔX						4 < L ≤ 16	±0.3						
						L ≤ 4	±0.2						
						ANGULAR	±5°						
DSND	DATE	SCALE: N/A											
DWN	DATE	VIEW:											
CHKD	DATE	UNIT: mm											
APPD	DATE	SIZE: A4											
DWG NO.: USB31-TYPEC-32X39-XFS		WEIGHT 1.0g		SHEET 1/1		REVISION		A0		XKB INDUSTRIAL PRECISION CO., LIMITED			
PART NO.:		MODEL TYPE: USB 3.1 TYPE		SCALE: N/A		DATE		DATE		DATE		DATE	

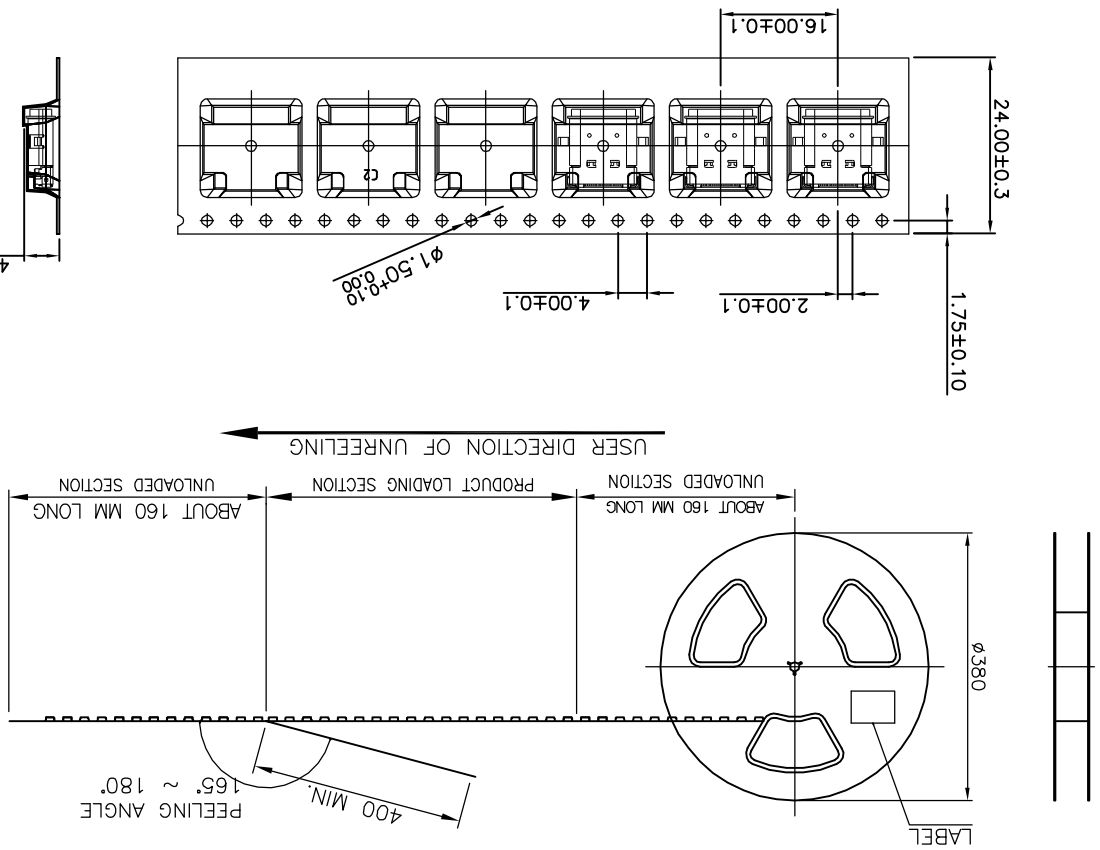
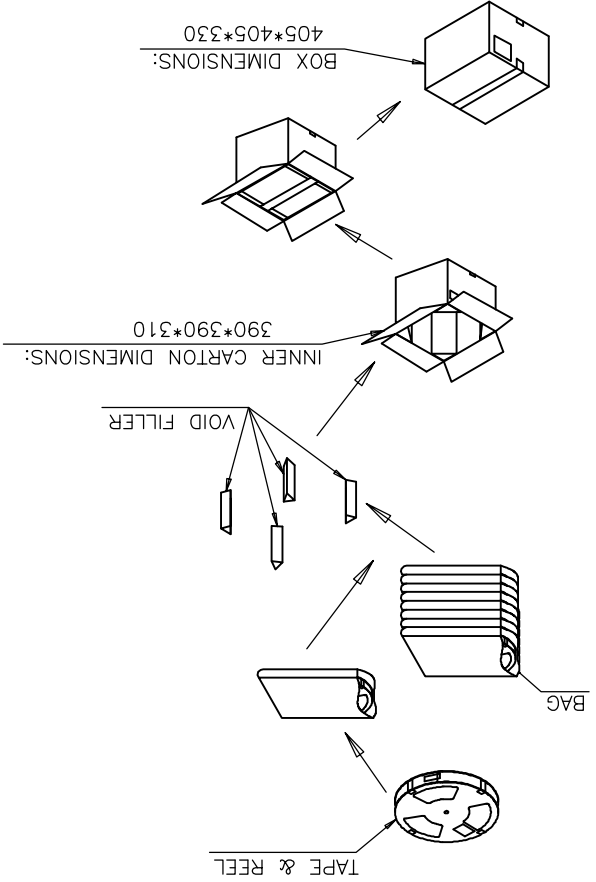


MARK		REVISIONS				UNSPECIFIED TOLERANCES					
Δ x		DESCRIPTION	DATE	REVISED	APPROVED	$L > 63$	± 0.5	APPD	DATE	SIZE: A4	
Δ x						$16 < L \leq 63$	± 0.4	CHKD	DATE	UNIT: mm	
Δ x						$4 < L \leq 16$	± 0.3	DWN	DATE	VIEW:	
						$L \leq 4$	± 0.2	DSND	DATE	SCALE: N/A	
						ANGULAR	$\pm 5^\circ$				
		www.xk-dg.cn www.helloxkb.com www.helloxkb.cn				XKB INDUSTRIAL PRECISION CO., LIMITED					
WEIGHT		SHEET		1.0g		1/1					
REVISION		A0									
DWG NO.:		USB31-TYPEC-32X39-XFS									
PART NO.:											
MODEL TYPE:		USB 3.1 TYPE									

NOTE:

- MATERIAL:
 BOX: FIBREBOARD, CORRUGATED, DOUBLE WALL.
 TAPE: POLYSTYRENES, HEAT-RESISTANT TEMPERATURE: 120°C, BLACK COLOR.
 REEL: POLYSTYRENES, HEAT-RESISTANT TEMPERATURE: 70°C, BLUE COLOR.
 BAG: POLYETHYLENE, HEAT-RESISTANT TEMPERATURE: 100°C.
- PEELING STRENGTH: 0.1 ~ 1.3 N (10 ~ 130 GRAMS)
- PEELING SPEED: 300 mm/min.
- EACH BAG SHALL BE INCLUDED DESICCANT.

1000	10	10000 PCS	-- KG	NET WEIGHT
PCS/ REEL	REELS/ CARTON	QUANTITY	GROSS WEIGHT	
1000	10	10000 PCS	-- KG	



X-ON Electronics

Largest Supplier of Electrical and Electronic Components

Click to view similar products for [USB Connectors](#) category:

Click to view products by [XKB](#) manufacturer:

Other Similar products are found below :

[10033527-N3112MLF](#) [17-210561](#) [GMCB05B11124H1EU](#) [17-200931](#) [65-647-8-BK-BU](#) [690-010-295-484](#) [73725-1191BLF](#) [950](#) [E8144-B01021-L](#) [A-USB A-LP-SMT-C](#) [A-USB B-TOP-C](#) [MUSBA511N5](#) [MUSBB15131](#) [MUSBC111M5](#) [MUSBD11135](#) [217450-1](#) [CA 6 W LD](#)
[896-30-004-00-000000](#) [KUSBVX-BS1N-W30](#) [KUSBX-AP-KIT-SCBLK](#) [KUSBX-AS2N-W](#) [KUSBX-SMT2AP1S-W](#) [KUSBX-SMTAS1NBTR](#) [KUSBX-SMTBS1NBTR](#) [30-498-6](#) [SK-60A-2](#) [17-200261](#) [17-210051](#) [1734082-1](#) [FK-37-32SL](#) [30-1574](#) [30-470](#) [30-489](#) [30-541](#) [30-572-3](#) [30-9503](#) [M9177/2-1](#) [MAB 5 S](#) [MIKROE-1451](#) [33UBBR-04SW11R](#) [USBFTV2PEM2G](#) [USBFTVC6ZN](#) [USBFTVSCCG](#)
[KUSBX-AS2N-W30](#) [KUSBX-SLAS1N-W](#) [KUSBX-SLAS1N-W30](#) [1-1734084-2](#) [E8110-001-01](#) [MUSBC11135](#) [NK-27-32SL](#)