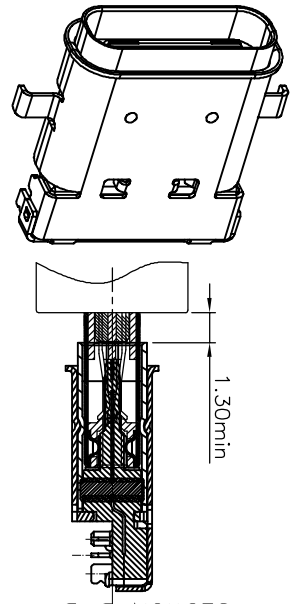
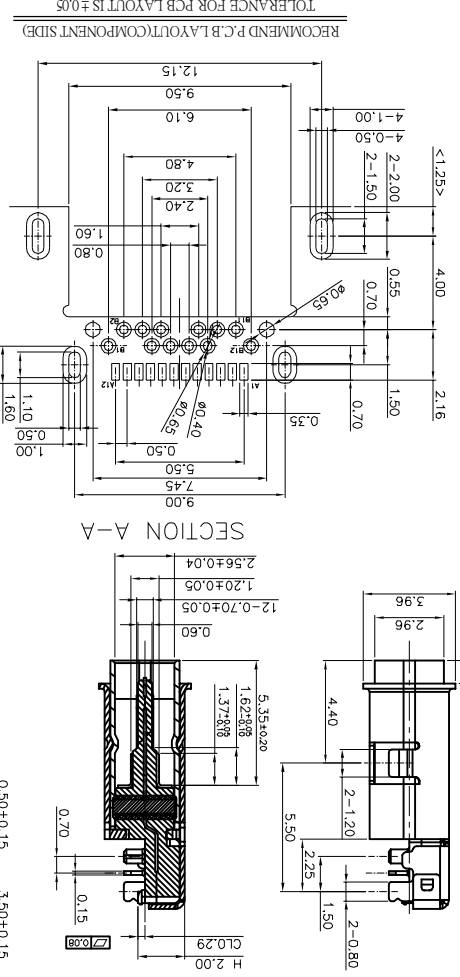
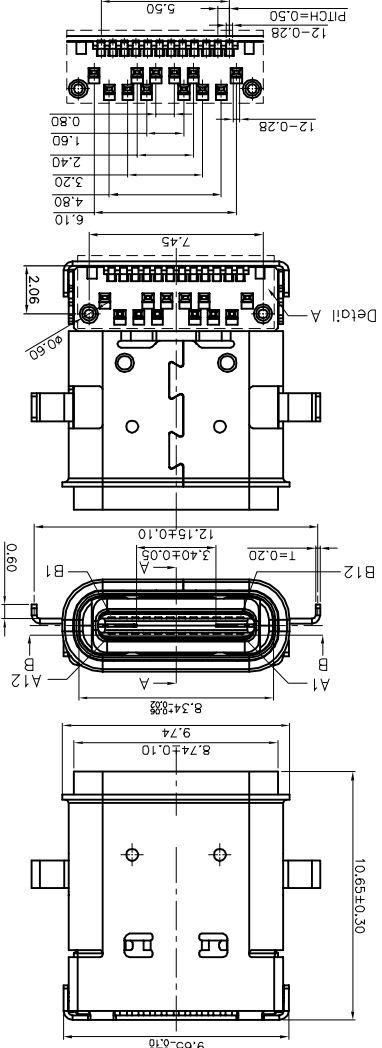


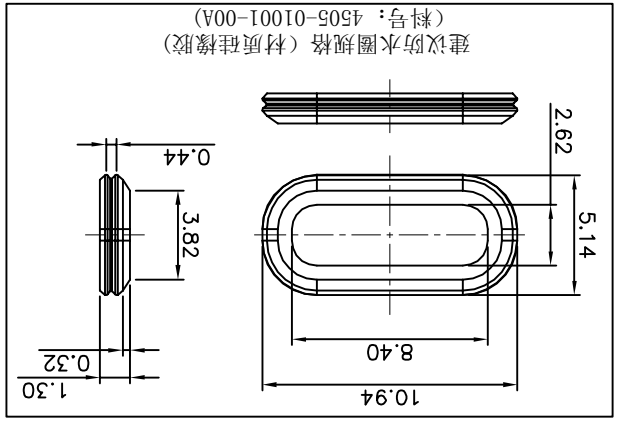
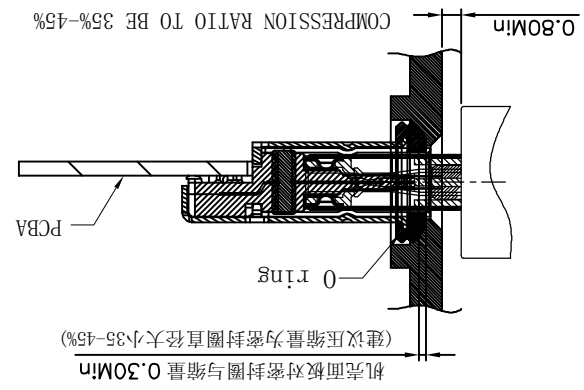
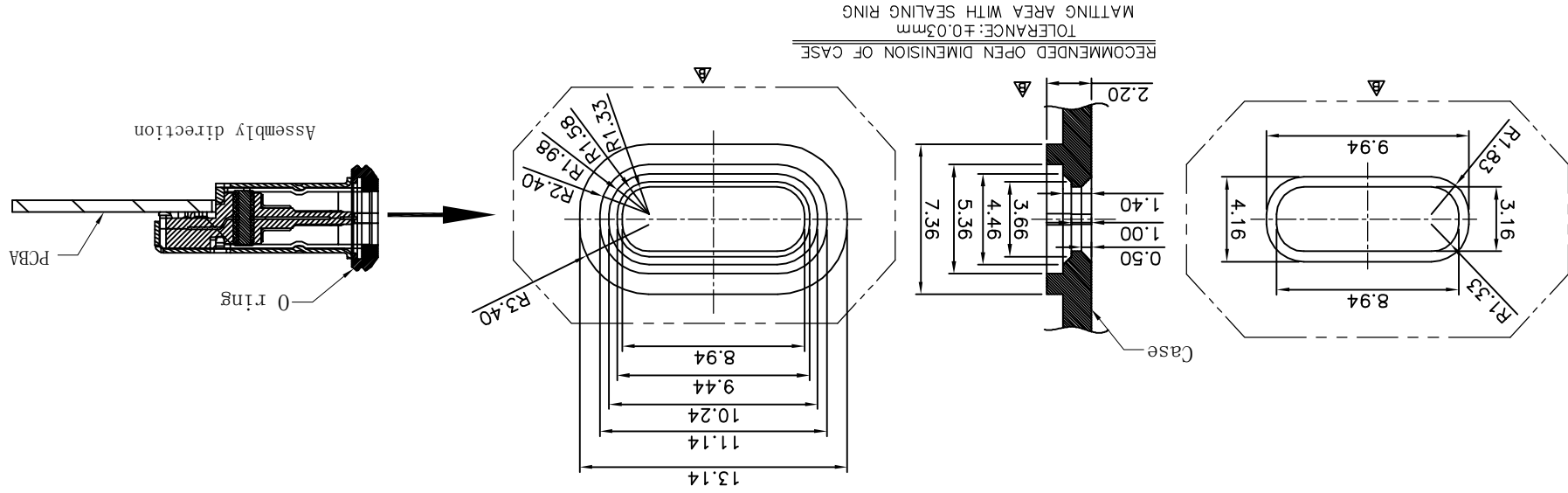
MARK	DESCRIPTION	REVISIONS				UNSPECIFIED TOLERANCES			
		DATE	REVISED	APPROVED	L >= 63	±0.5	DATE	REVISIION	WEIGHT
Δ X					16 < L ≤ 63	±0.4			1.0g
Δ X					4 < L ≤ 16	±0.3			1/1
Δ X					L ≤ 4	±0.2			SHEET
					ANGULAR	±0.5°			REVISION
									A0
DSND	DATE	SCALE: N/A	MODEL TYPE: USB 3.1 TYPE	DWN	DATE	VIEW:	PART NO.:	DWG NO.:	USB31-TYPEC-32X39-XFS
CHKD	DATE	UNIT: mm		APPD	DATE	SIZE: A4			



- NOTE:
- 1.1 INSULATOR: HIGH TEMPERATURE PLASTIC UL 94 V-0;
 - 1.2 CONTACT: COPPER ALLOY(T=0.15mm)
 - 1.3 SHELL:STAINLESS STEEL(T=0.20mm)
 2. ELECTRICAL CHARACTERISTICS:
 - 2.1 CONTACT RESISTANCE: 40mΩ Max FOR INITIAL. 10mΩ CHANGE AFTER TEST. MEASURE AT 20mV, 100mA.
 - 2.2 CONTACT CURRENT RATING: 5A FOR VBUS PIN, 1.25A FOR VCONN PIN.
 - 2.3 DIELECTRIC WITHSTANDING VOLTAGE: 100V AC R.M.S.
 - 2.4 INSULATION RESISTANCE 100MΩ Min.
 - 2.5 OPERATING TEMPERATURE: -40°C ~ 85°C
 - 3 MECHANICAL CHARACTERISTICS:
 - 3.1 MATING FORCE: 5~20 N.
 - 3.2 UNMATED FORCE: 8~20N AFTER TEST
 - 3.3 DURABILITY: 10,000 CYCLES
 4. PLATING
 - 4.1 TERMINAL CONTACT: (SEE TAB) GOLD PLATING ALL OVER 50μ Min NICKEL AND 80μ Min Th ALL OVER 50μ Min NICKEL ON SOLDER AREA
 - 4.2 OUT SHELL: 50μ Min. NICKEL ALL OVER
 - 4.3 INNER SHELL: DECREASE
 5. PART NUMBER:
 - USB31-TYPEC-32X39-XFS
 - 1: Troy
 - 2: Tape reel
 - 39: IP67
 - 48: IP54
 - 49: 不防水
 - 1: G/F
 - 2: 5u"
 - 3: 10u"
 - 4: 15u"
 - 5: 30u"

Pin	Signal	Mating Sequence	Pin	Signal	Mating Sequence
A1	GND	First	B12	GND	First
A2	SSTXp1	Second	B11	SSTXp1	Second
A3	SSTXn1	Second	B10	SSTXn1	Second
A4	Vbus	First	B9	Vbus	First
A5	CC1	Second	B8	SBU2	Second
A6	Dp1	Second	B7	Dn2	Second
A7	Dn1	Second	B6	Dp2	Second
A8	SBU1	Second	B5	CC2	Second
A9	Vbus	First	B4	Vbus	First
A10	SSRXn2	Second	B3	SSTXn2	Second
A11	SSRXp2	Second	B2	SSTXp2	Second
A12	GND	First	B1	GND	First

MARK		REVISIONS				UNSPECIFIED TOLERANCES				www.xk-dg.cn www.hellokcb.com www.hellokcb.cn			
ΔX		DESCRIPTION	DATE	REVISED	APPROVED	L > 63	±0.5						
ΔX						16 < L ≤ 63	±0.4						
ΔX						4 < L ≤ 16	±0.3						
						L ≤ 4	±0.2						
						ANGULAR	±5°						
DSND	DATE	SCALE: N/A											
DWN	DATE	VIEW:											
CHKD	DATE	UNIT: mm											
APPD	DATE	SIZE: A4											
DWG NO.: USB31-TYPEC-32X39-XFS		WEIGHT 1.0g		SHEET 1/1		REVISION		A0		XKB INDUSTRIAL PRECISION CO., LIMITED			
PART NO.:		MODEL TYPE: USB 3.1 TYPE		SCALE: N/A		DATE		DATE		DATE		DATE	

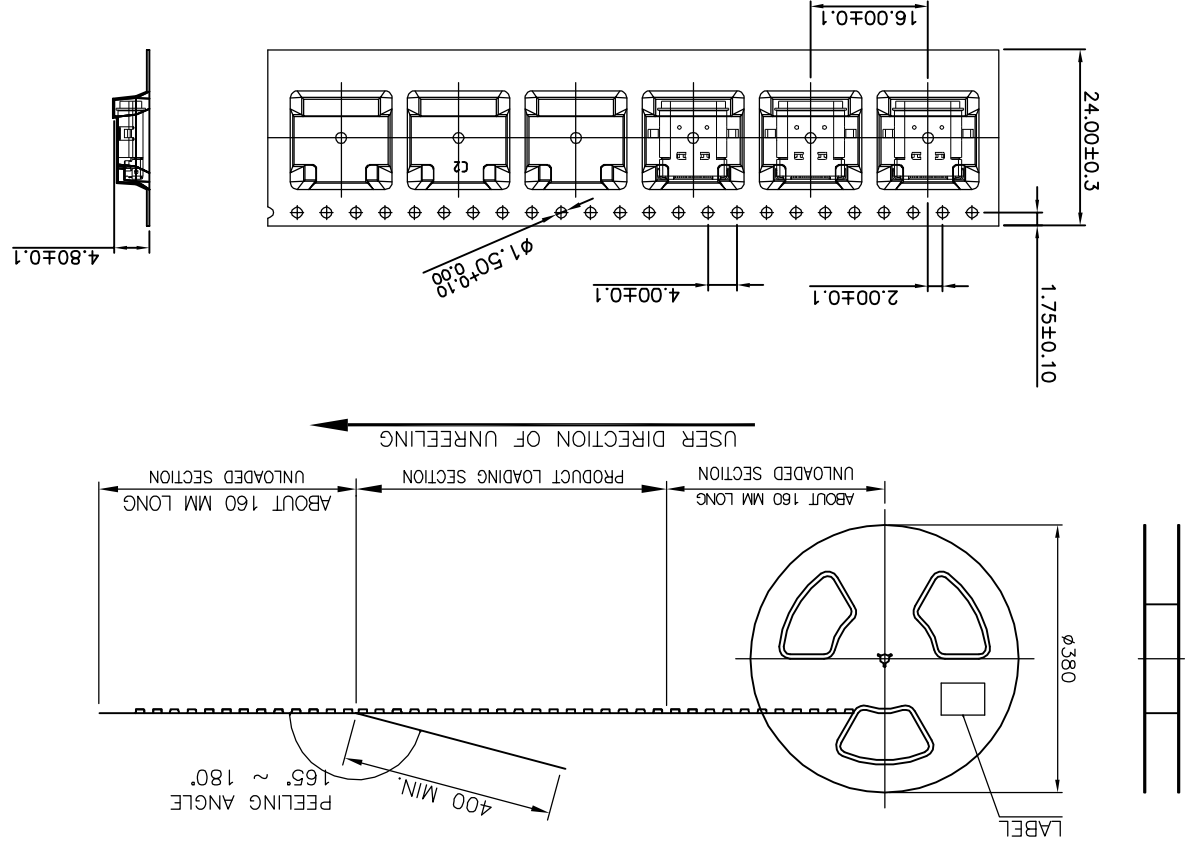
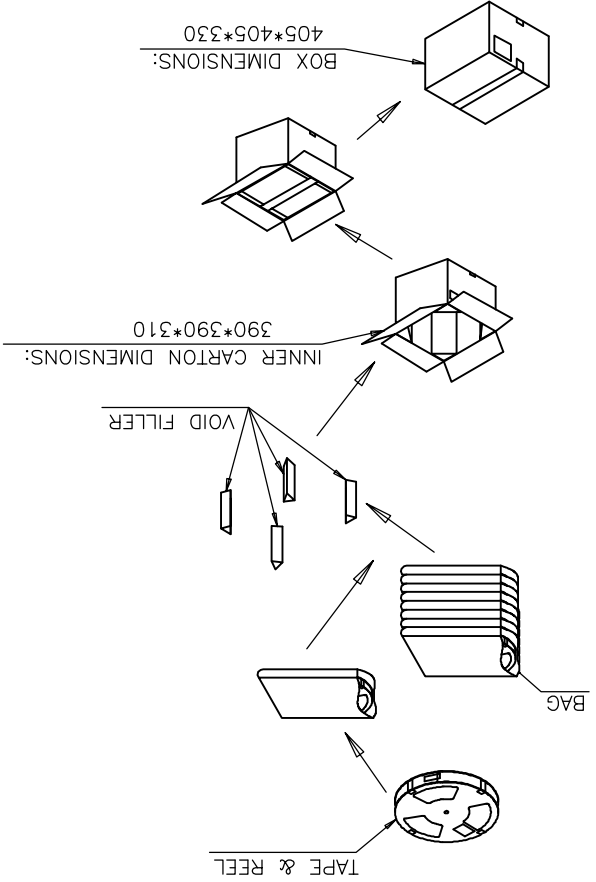


MARK		REVISIONS				UNSPECIFIED TOLERANCES					
Δ x		DESCRIPTION	DATE	REVISED	APPROVED	$L > 63$	± 0.5	APPD	DATE	SIZE: A4	
Δ x						$16 < L \leq 63$	± 0.4	CHKD	DATE	UNIT: mm	
Δ x						$4 < L \leq 16$	± 0.3	DWN	DATE	VIEW:	
						$L \leq 4$	± 0.2	DSND	DATE	SCALE: N/A	
		www.xk-dg.cn www.hellokxb.com www.hellokxb.cn				XKB INDUSTRIAL PRECISION CO., LIMITED					
DWG NO.: USB31-TYPEC-32X39-XFS		WEIGHT		1.0g		SHEET		1/1		REVISION	
PART NO.:		MODEL TYPE:		USB 3.1 TYPE		PART NO.:		MODEL TYPE:		USB 3.1 TYPE	

NOTE:

- MATERIAL:
 BOX: FIBREBOARD, CORRUGATED, DOUBLE WALL.
 TAPE: POLYSTYRENES, HEAT-RESISTANT TEMPERATURE: 120°C, BLACK COLOR.
 REEL: POLYSTYRENES, HEAT-RESISTANT TEMPERATURE: 70°C, BLUE COLOR.
 BAG: POLYETHYLENE, HEAT-RESISTANT TEMPERATURE: 100°C.
- PEELING STRENGTH: 0.1 ~ 1.3 N (10 ~ 130 GRAMS)
- PEELING SPEED: 300 mm/min.
- EACH BAG SHALL BE INCLUDED DESICCANT.

1000	10	10000 PCS	-- KG	NET WEIGHT
PCS/ REEL	REELS/ CARTON	QUANTITY	GROSS WEIGHT	



X-ON Electronics

Largest Supplier of Electrical and Electronic Components

Click to view similar products for [USB Connectors](#) category:

Click to view products by [XKB](#) manufacturer:

Other Similar products are found below :

[10033527-N3112MLF](#) [17-210561](#) [GMCB05B11124H1EU](#) [17-200931](#) [65-647-8-BK-BU](#) [690-010-295-484](#) [73725-1191BLF](#) [950](#) [E8144-B01021-L](#) [A-USB A-LP-SMT-C](#) [A-USB B-TOP-C](#) [MUSBA511N5](#) [MUSBB15131](#) [MUSBC111M5](#) [MUSBD11135](#) [217450-1](#) [CA 6 W LD](#)
[896-30-004-00-000000](#) [KUSBVX-BS1N-W30](#) [KUSBX-AP-KIT-SCBLK](#) [KUSBX-AS2N-W](#) [KUSBX-SMT2AP1S-W](#) [KUSBX-SMTAS1NBTR](#) [KUSBX-SMTBS1NBTR](#) [30-498-6](#) [SK-60A-2](#) [17-200261](#) [17-210051](#) [1734082-1](#) [FK-37-32SL](#) [30-1574](#) [30-470](#) [30-489](#) [30-541](#) [30-572-3](#) [30-9503](#) [M9177/2-1](#) [MAB 5 S](#) [MIKROE-1451](#) [33UBBR-04SW11R](#) [USBFTV2PEM2G](#) [USBFTVC6ZN](#) [USBFTVSCCG](#)
[KUSBX-AS2N-W30](#) [KUSBX-SLAS1N-W](#) [KUSBX-SLAS1N-W30](#) [1-1734084-2](#) [E8110-001-01](#) [MUSBC11135](#) [NK-27-32SL](#)