

| | | | | | | | |
|--|--|-------------|--|--------|--|----------|--|
| XKB INDUSTRIAL PRECISION CO., LIMITED | | 1.0g | | 1/1 | | A0 | |
| REVISION | | SHEET | | WEIGHT | | REVISION | |
| DWG NO.: USB31-TYPEC-32X41-XFS | | SIZE: A4 | | DATE | | DATE | |
| PART NO.: | | UNIT: mm | | DATE | | DATE | |
| MODEL TYPE: USB 3.1 CF WATERPROOF CL1.75 H3.46mm DIP TYPE | | SCALE: N/A | | DATE | | DATE | |
| DWN | | VIEW: | | DATE | | DATE | |
| CHKD | | DATE | | DATE | | DATE | |
| APPD | | DATE | | DATE | | DATE | |
| UNSPECIFIED TOLERANCES | | L > 63 | | ±0.5 | | ±0.5 | |
| REVISIONS | | 16 < L ≤ 63 | | ±0.4 | | ±0.4 | |
| DESCRIPTION | | 4 < L ≤ 16 | | ±0.3 | | ±0.3 | |
| MARK | | L ≤ 4 | | ±0.2 | | ±0.2 | |
| | | ANGLAR | | ±5° | | ±5° | |

www.xk-dg.cn www.helloxkb.com www.helloxkb.cn

4.EACH BAG SHALL BE INCLUDED DESICCANT.

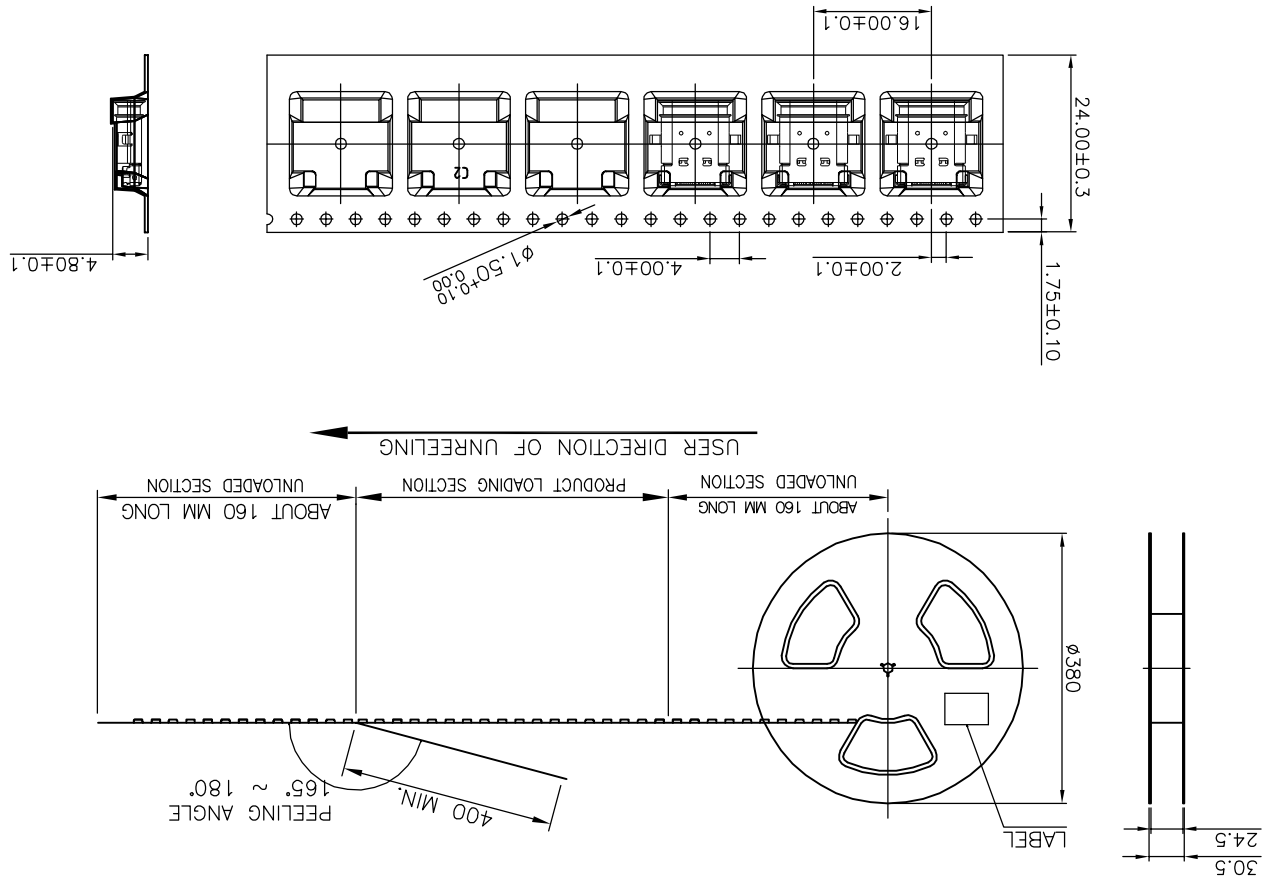
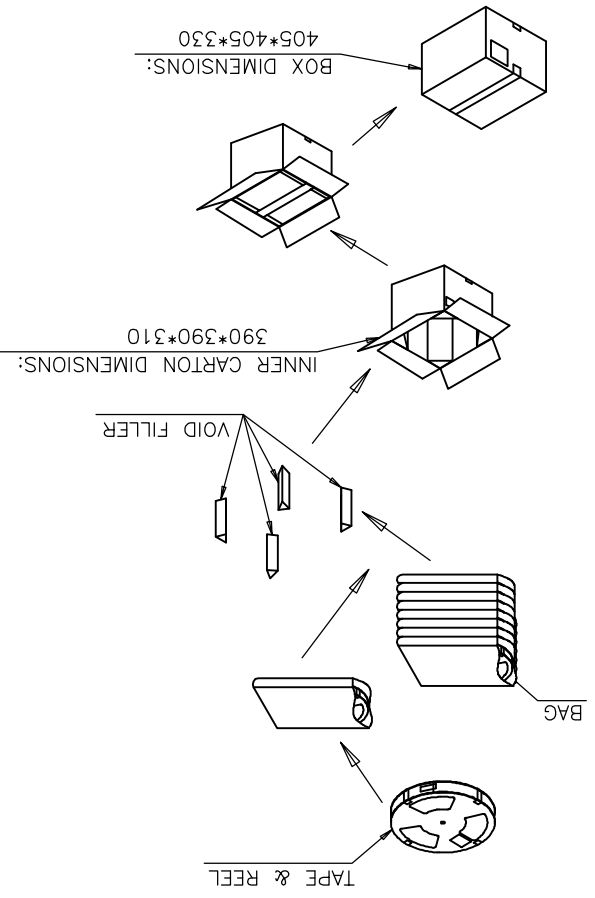
3.PEELING SPEED: 300 mm/min.

2.PEELING STRENGTH: 0.1 ~ 1.3 N (10 ~ 130 GRAMS)

1.MATERIAL:
 BOX: FIBREBOARD, CORRUGATED, DOUBLE WALL.
 TAPE: POLYSTYRENES, HEAT-RESISTANT TEMPERATURE: 120°C, BLACK COLOR.
 REEL: POLYSTYRENES, HEAT-RESISTANT TEMPERATURE: 70°C, BLUE COLOR.
 BAG: POLYETHYLENE, HEAT-RESISTANT TEMPERATURE: 100°C.

NOTE:

| | | | | | | | | | | |
|------|----------|-------|------|--------------------|----|-----------|-------|------|------------|-------|
| 1000 | 1000 PCS | -- KG | 1000 | PCS/ REELS/ CARTON | 10 | 10000 PCS | -- KG | 1000 | NET WEIGHT | -- KG |
|------|----------|-------|------|--------------------|----|-----------|-------|------|------------|-------|



X-ON Electronics

Largest Supplier of Electrical and Electronic Components

Click to view similar products for [USB Connectors](#) category:

Click to view products by [XKB](#) manufacturer:

Other Similar products are found below :

[10033527-N3112MLF](#) [17-210561](#) [GMCB05B11124H1EU](#) [17-200931](#) [65-647-8-BK-BU](#) [690-010-295-484](#) [73725-1191BLF](#) [950](#) [E8144-B01021-L](#) [A-USB A-LP-SMT-C](#) [A-USB B-TOP-C](#) [MUSBA511N5](#) [MUSBB15131](#) [MUSBC111M5](#) [MUSBD11135](#) [217450-1](#) [CA 6 W LD](#)
[896-30-004-00-000000](#) [KUSBVX-BS1N-W30](#) [KUSBX-AP-KIT-SCBLK](#) [KUSBX-AS2N-W](#) [KUSBX-SMT2AP1S-W](#) [KUSBX-SMTAS1NBTR](#) [KUSBX-SMTBS1NBTR](#) [30-498-6](#) [SK-60A-2](#) [17-200261](#) [17-210051](#) [1734082-1](#) [FK-37-32SL](#) [30-1574](#) [30-470](#) [30-489](#) [30-541](#) [30-572-3](#) [30-9503](#) [M9177/2-1](#) [MAB 5 S](#) [MIKROE-1451](#) [33UBBR-04SW11R](#) [USBFTV2PEM2G](#) [USBFTVC6ZN](#) [USBFTVSCCG](#)
[KUSBX-AS2N-W30](#) [KUSBX-SLAS1N-W](#) [KUSBX-SLAS1N-W30](#) [1-1734084-2](#) [E8110-001-01](#) [MUSBC11135](#) [NK-27-32SL](#)