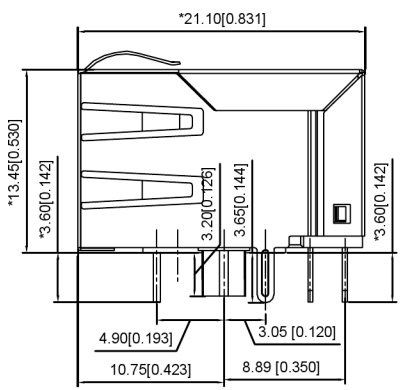
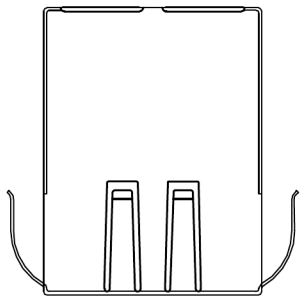


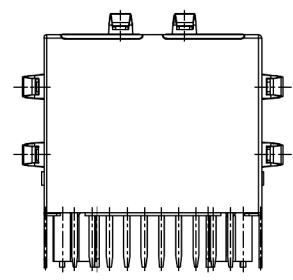
LEFT SIDE VIEW



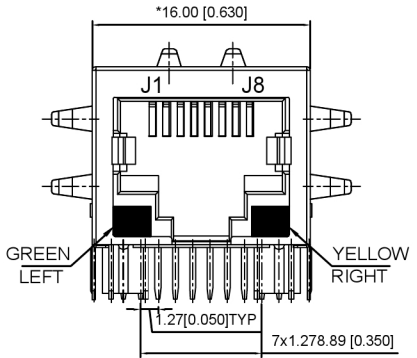
RIGHT SIDE VIEW



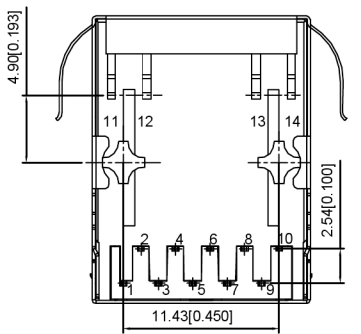
TOP VIEW



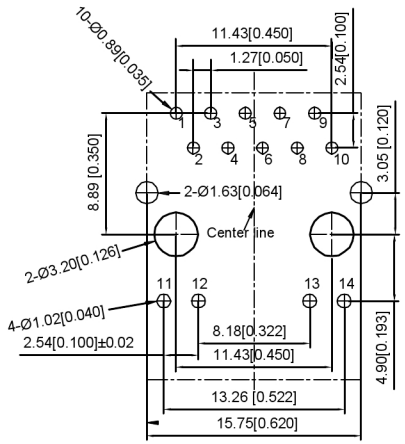
BACK VIEW



FRONT VIEW

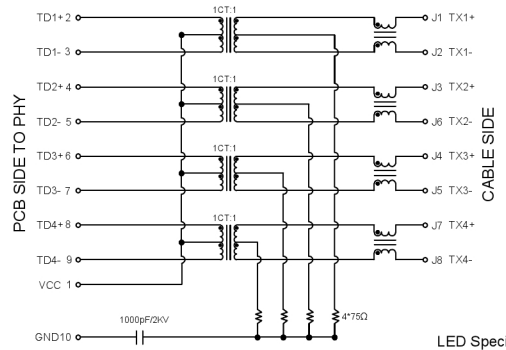


BOTTOM VIEW

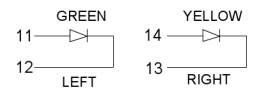


RECOMMENDED PCB LAYOUT VIEWED FROM COMPONENT SIDE

- Electrical 电气:
- Turn ratio 匝数比: 2~3: J1~J2=1CT:1CT(±2%)  
4~5: J3~J6=1CT:1CT(±2%)  
6~7: J4~J5=1CT:1CT(±2%)  
8~9: J7~J8=1CT:1CT(±2%)
  - OCL: 350uH Min at 100KHz 100mV 8mA DC.
  - Insertion Loss 插入损耗: -1.0 dB Max 1~100MHz.
  - Return loss 回程损耗: -20dB Min 1~10MHz  
-16dB Min 10~30MHz  
-12dB Min 30~60MHz  
-10dB Min 60~80MHz
  - Cross talk 声道串扰: -40dB Min 1~30MHz;  
-35dB Min 30~60MHz;  
-30dB Min 60~100MHz;
  - CMR 共模抑制: -30dB Min 1~100MHz;
  - Hi-Pot 耐压测试: 2250V DC 6S 1mA PRI TO SEC



LED Specification



Standard LED Color	LED Wavelength	Forward(A)	Forward(V)
Green	568nm	20mA	1.85-2.45V
Yellow	585nm	20mA	1.7-2.2V

XKB Connectivity

MATERIAL 材料:  
HOUSING 外壳: PBT,UL94V-0,BLACK. HF  
TERMINALS BRACKET 端子支架: PBT,UL94V-0,BLACK. HF  
SHIELD 保护物: C2680,T=0.20MM,NICKEL PLATING ON ALL AREA.  
TERMINAL 端子: PHOSPHOR BRONZE C5210,T=0.35MM,  
GOLD PLATING ON CONTACT AREA.

MECHANICAL 机械:  
DURABILITY 耐用性: 750 CYCLES MIN.  
MATING FORCE 配合力: 23N MAX.  
OPERATING TEMPERATURE 工作温度: -40°C~+85°C.  
STORAGE TEMPERATURE 储存温度: -40°C~+85°C.  
ALL CRITICAL DIMENSIONS WITH "MM"

广东星坤科技股份有限公司

DATE 日期

DESCRIPTION 文件工程章

REVISIONS	DATE	REVISED	APPROVED	UNSPECIFIED TOLERANCES
ANGLAR				±5°
L ≤ 4				±0.2
4 < L ≤ 16				±0.3
16 < L ≤ 63				±0.4
L > 63				±0.5



DSND	SCALE: N/A	MODEL TYPE:
DWN	VIEW:	RJ JACK
CHKD	UNIT: mm/in	PART NO.:
APPD	SIZE: A4	DWG NO.:
		X01AQ106EA2AD
		WEIGHT
		SHEET
		REVISIOI
		1/1
		A0

## X-ON Electronics

Largest Supplier of Electrical and Electronic Components

*Click to view similar products for [Modular Connectors](#) / [Ethernet Connectors](#) category:*

*Click to view products by [XKB](#) manufacturer:*

Other Similar products are found below :

[8949-H88/06BLKA/SN](#) [74441-0010/BKN](#) [PHP-6P6C-5](#) [GAX-3-66](#) [GDCX-PN-66](#) [GLX-A-44](#) [GLX-N-1010M-BLK](#) [GLX-S-88M-BLK](#)  
[GMX-SMT4-N-88](#) [GSGX-N-2-88](#) [GSGX-N-4-88](#) [GSX-NS2-88-3.05](#) [GSX-NS-88-3.68](#) [PT-108A-8C-UL](#) [PTS-J531-8CS-50UL](#) [A-2014-0-4](#)  
[GWLX-S9-88-YG](#) [DC-1021-8-WH-6](#) [1300530003](#) [1324640-4](#) [132764-001](#) [1413235](#) [MPS88RX-5000](#) [E5288-S000K3-L](#) [155302-001](#)  
[AX101050](#) [AX101063](#) [AX101065](#) [AX101072](#) [AX101307](#) [AX101315](#) [AX101318](#) [AX102271](#) [AX102277](#) [AX102651](#) [AX102660](#) [AX104024](#)  
[203475](#) [PC4D0018P](#) [KIT38082NI](#) [8949-B88/6](#) [2-6609208-5](#) [30-8956](#) [30-8964-100](#) [SM85](#) [SM99S01VBNN04G7](#) [17-103540](#) [191587](#) [PDI-68-RV](#) [PHP-8P8C-S-5](#)