

Specifications:

规格:

- 1.Voltage rating:250VAC/DC  
额定电压: 250V AC/DC
- 2.Current rating:3A(T) / 5A(C) AC/DC  
额定电流: 3A(T) / 5A(C) AC/DC
- 3.Withstanding voltage:500V AC/minute  
耐受电压: ≥500V AC/分钟
- 4.Temperature range: -55°C~+105°C  
温度范围: -55°C~+105°C
- 5.Insulation resistance:1000MΩMIN  
绝缘电阻: ≥1000MΩ
- 6.Contact resistance:30mΩMax  
接触电阻: ≥30mΩ

Material:

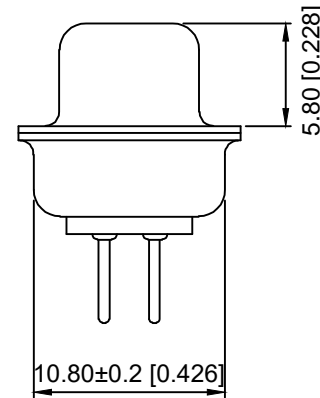
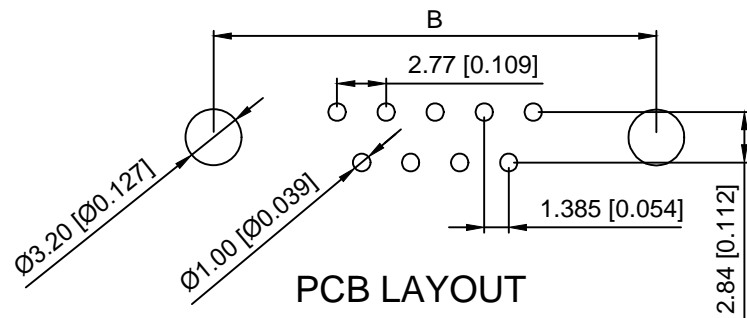
材料:

- 7.Rubber core:PBT UL94V-0
  - 胶芯: PBT UL94V-0
  - 8.The iron shell:SPCC Nivkel Plating/Tin Plating/Gold Plating
  - 铁壳: SPCC,镀镍/镀锡/镀金
- B、成品不能有弯针, R角不一致等不良。

X02 XX F X X X X

① ② ③ ④ ⑤ ⑥ ⑦

- ① Series NO.
- ② Row No,Pin No.XX-09;15;25;37
- ③ Welding Board Angle :F-Female
- ④ T: Tradutional C: Car-pin
- ⑤ Planting Categoty: 1:Gold 1u ;2:Gold 2u; 3:Gold 3u ;4:Gold 5u; 5:Gold 15u; 6:Gold 30u ;7:Terminal half- Gold Bright Tin;8: Terminal half- Gold 2u Bright Tin 9: Terminal half- Gold 3u Bright Tin;10: Terminal half- Gold 5u Bright Tin 11: Terminal half- Gold 15u Bright Tin;12: Terminal half- Gold 30u Bright Tin 13: Terminal half- Gold Matte Tin;14:Terminal half- Gold 2u Matte Tin 15:Terminal half- Gold 3u Matte Tin;16:Terminal half- Gold 5u Matte Tin 17:Terminal half- Gold 15u Matte Tin;18:Terminal half- Gold 30u Matte Tin
- ⑥ Color:B-BLACK W-White BL-Blue
- ⑦ 1:TYPE-1; 2:TYPE-2; 5:TYPE-5; 7:TYPE-7



NUMBER OF POSITIONS	DIMENSION			
	A±0.25	B±0.13	C±0.38	D±0.25
9	30.80	24.99	16.35	19.28
15	39.20	33.32	26.50	27.51
25	53.05	47.04	40.00	41.28
37	69.40	63.50	56.60	57.71

组合方式	TYPE-1:Iriveting (铆合)	TYPE-2:Front riveted solid nut (前铆实心螺母)	TYPE-7:Rear-riveted harpoon (后铆鱼叉)	TYPE-5:Riveted harpoon lock screws (铆鱼叉锁螺丝)
图示				

MARK	DESCRIPTION	DATE	REVISED	APPROVED	UNSPECIFIED TOLERANCES
ΔX					ANGLAR ±5°
ΔX					L ≤ 4 ±0.2
ΔX					4 < L ≤ 16 ±0.3
					16 < L ≤ 63 ±0.4
					L > 63 ±0.5



XKB INDUSTRIAL PRECISION CO., LIMITED

DSND		SCALE: N/A	MODEL TYPE: D-USB
DWN		VIEW:	PART NO.: X02XXFXXXX
CHKD		UNIT: mm/in	DWG NO.: X-X02XXFXXXX
APPD		SIZE: A4	WEIGHT SHEET REVISION
			1/1 A0

## X-ON Electronics

Largest Supplier of Electrical and Electronic Components

*Click to view similar products for [D-Sub Standard Connectors](#) category:*

*Click to view products by [XKB](#) manufacturer:*

Other Similar products are found below :

[015-0339-000](#) [015-0341-000](#) [015-0349-000](#) [015-0350-000](#) [015-8544-011](#) [015-8755-001](#) [017041-0005](#) [020419-0104](#) [609-25P](#) [609-9P](#)  
[M24308/2-23Z](#) [CT0-24-10SC](#) [CT0-36-3PC](#) [CT0E20-8PS](#) [CT0F16S-1PS](#) [CT0TA16-11SXCA232](#) [CT1E20-19SS](#) [CT2-10SL-3SC](#) [CT2-14S-2PCA34](#) [CT2-18-11PCAU](#) [CT2-22-19SC](#) [CT2-36-5PC](#) [CT6-10SL-3SC](#) [CT6-10SL-4SC](#) [CT6-14S-2SC](#) [CT6-16-12SC](#) [CT6-18-10PSA206](#)  
[CT6-18-10PSA232](#) [CT6-18-11PXSA206](#) [CT6-18-11PXSA232](#) [CT6-22-10PS](#) [CT6-24-5PC](#) [CT6-9767-18-8-18-4SS](#) [CT6E14S-5SC](#)  
[CT6E14SA7SC](#) [CT6E20-14SS](#) [CT6E22-14PC](#) [CT6E22-14PS](#) [CT6E22-19PS](#) [CT6E22-22PS](#) [CT6E24-10SC](#) [CT6F16S-1SC](#) [CT6FA10SL-4PS](#)  
[CT6LA20-19PC](#) [CT6M20-19SS](#) [CT6NSB4-20-8SS](#) [CT6TC14S-6SCAU](#) [CT6TC14S-7PS](#) [6STD15SCT99S40X](#) [6STF09PCM05B70X](#)