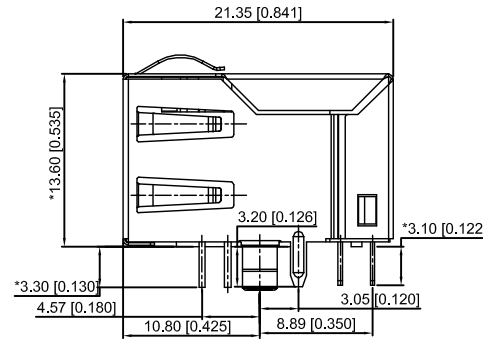
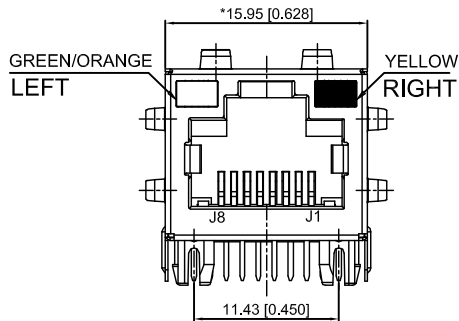


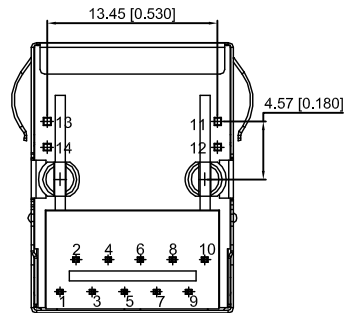
LEFT SIDE VIEW



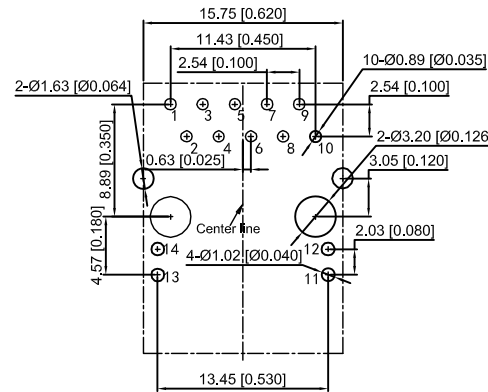
RIGHT SIDE VIEW



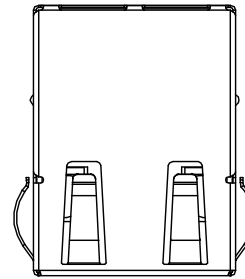
FRONT VIEW



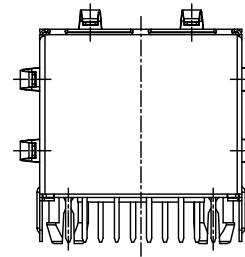
BOTTOM VIEW



RECOMMENDED PCB LAYOUT VIEWED FROM COMPONENT SIDE



TOP VIEW



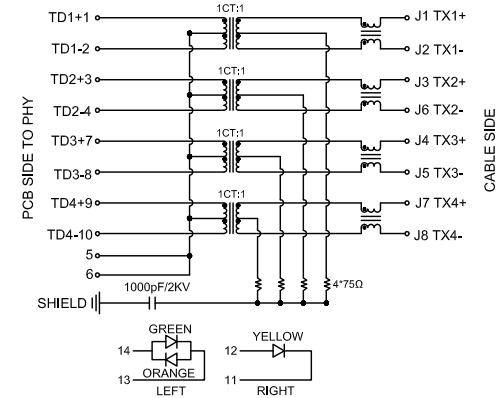
BACK VIEW

Electrical 电气:

- Turn ratio 匝数比: 1~2: J1~J2=1CT:1CT(±2%), 3~4: J3~J6=1CT:1CT(±2%), 7~8: J4~J5=1CT:1CT(±2%), 9~10: J7~J8=1CT:1CT(±2%)
- OCL: 350uH Min. at 100KHz 100mV 8mA DC.
- Insertion Loss 插入损耗: -1.0 dB Max 1~100MHz.
- Return loss 回波损耗: -18dB Min 1~30MHz, -14dB Min 30~60MHz, -12dB Min 60~80MHz, -10dB Min 80~100MHz.
- Cross talk: -40dB Min 1~30MHz, -35dB Min 30~60MHz, -30dB Min 60~100MHz.
- CMR: -30dB Min 1~100MHz.
- Hi-Pot: 2250V DC 6S 1mA PRI TO SEC.

LED Specification

| Standard LED Color | LED Wavelength | Forward I | Forward V |
|--------------------|----------------|-----------|------------|
| Green | 565nm | 20mA | 1.85~2.45V |
| Yellow | 595nm | 20mA | 1.7~2.2V |
| Orange | 595nm | 20mA | 1.85~2.45V |



MATERIAL 材料:

- HOUSING : PBT, UL94V-0, BLACK.
- TERMINALS BRACKET 端子支架: PBT, UL94V-0, BLACK.
- SHIELD 保护物: C2680, T=0.20MM, NICKEL PLATING ON ALL AREA.
- TERMINAL 端子: PHOSPHOR BRONZE C5210, T=0.35MM, GOLD PLATING ON CONTACT AREA.

MECHANICAL 机械:

- DURABILITY 耐用性: 750 CYCLES MIN.
- MATING FORCE 配合力: 23N MAX.
- OPERATING TEMPERATURE 工作温度: -40°C~+85°C.
- STORAGE TEMPERATURE 储存温度: -40°C~+85°C.
- ALL CRITICAL DIMENSIONS WITH "★"

| | | | | | |
|------|--|------|--|---------------------------------------|---------------------|
| DSND | | DATE | | SCALE: N/A | MODEL TYPE: RJ JACK |
| DWN | | DATE | | VIEW: | PART NO.: |
| CHKD | | DATE | | UNIT: mm/in | DWG NO.: |
| APPD | | DATE | | SIZE: A4 | X02AQ070FF5DDZ |
| | | | | XKB INDUSTRIAL PRECISION CO., LIMITED | WEIGHT 1.0g |
| | | | | | SHEET 1/1 |
| | | | | | REVISION A0 |

| | | | | | |
|---|-------------|------|---------|----------|------------------------|
| ΔX | | | | | ANGLAR ±5° |
| ΔX | | | | | L ≤ 4 ±0.2 |
| ΔX | | | | | 4 < L ≤ 16 ±0.3 |
| MARK | DESCRIPTION | DATE | REVISED | APPROVED | 16 < L ≤ 63 ±0.4 |
| REVISIONS | | | | | L > 63 ±0.5 |
| www.xk-dg.cn www.helloxkb.com www.helloxkb.cn | | | | | UNSPECIFIED TOLERANCES |

X-ON Electronics

Largest Supplier of Electrical and Electronic Components

Click to view similar products for [Modular Connectors](#) / [Ethernet Connectors](#) category:

Click to view products by [XKB](#) manufacturer:

Other Similar products are found below :

[8949-H88/06BLKA/SN](#) [74441-0010/BKN](#) [PHP-6P6C-5](#) [GAX-3-66](#) [GAX-8-62](#) [GDCX-PN-66](#) [GLX-A-44](#) [GLX-N-1010M-BLK](#) [GMX-SMT4-N-88](#) [GSGX-N-2-88](#) [GSGX-N-4-88](#) [GSX-NS2-88-3.05](#) [GSX-NS-88-3.68](#) [PT-108A-8C-UL](#) [PTS-J531-8CS-50UL](#) [A-2014-0-4](#)
[GWLX-S9-88-YG](#) [DC-1021-8-WH-6](#) [1300530003](#) [1324640-4](#) [RJ11FTVC2G](#) [RJ11FTVC2N](#) [RJFTVX2SA1G](#) [132764-001](#) [1413235](#)
[MPS88RX-5000](#) [E5288-S000K3-L](#) [155302-001](#) [AX101050](#) [AX101063](#) [AX101065](#) [AX101072](#) [AX101307](#) [AX101315](#) [AX101318](#)
[AX102271](#) [AX102288](#) [AX102651](#) [AX102660](#) [J0012D21NL](#) [J0026D01ENL](#) [PC4D0018P](#) [8949-B88/6](#) [2-6609208-5](#) [937-SP-3088-2PC-A192](#)
[303066VFL](#) [303068V](#) [303088LFLSA](#) [303088SBL](#) [30-8603](#)