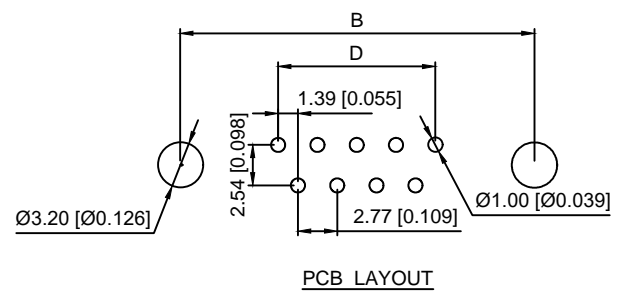
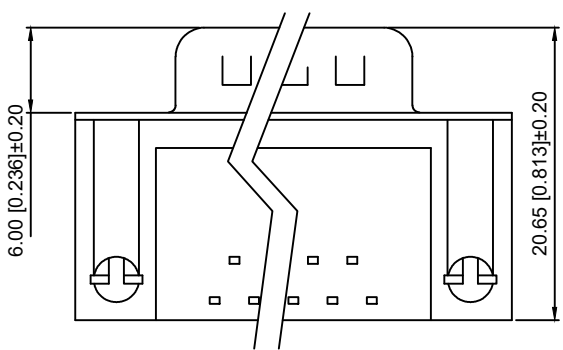
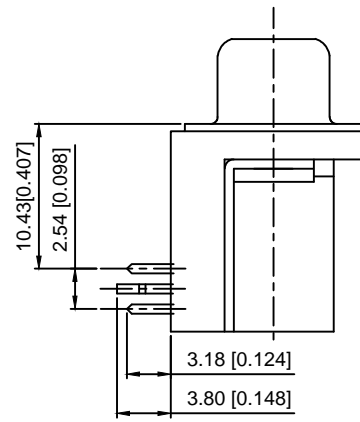
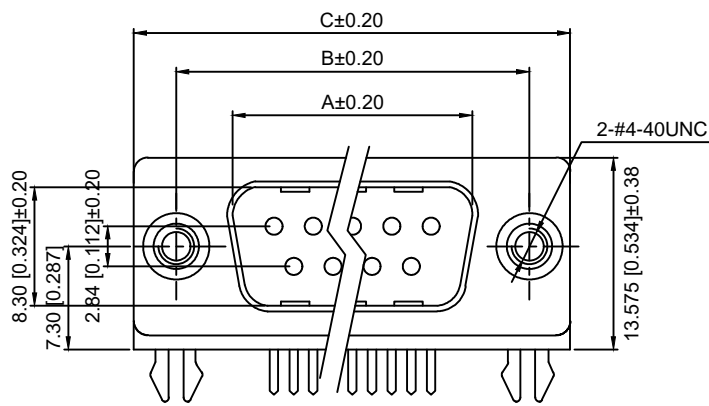
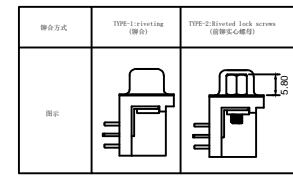


Specifications:  
 规格:  
 Current rating:5A AC/DC  
 额定电流: 5A AC/DC  
 Voltage rating:250V AC  
 额定电压: 250V AC  
 Withstanding voltage:500V AC/MIN  
 耐受电压: ≥500V AC/分钟  
 Temperature range:-55℃~+105℃  
 温度范围: -55℃~+105℃  
 Insulation resistance:1000MΩMIN  
 绝缘电阻: ≥1000MΩ  
 Contact resistance:30mΩMAN  
 接触电阻:≤30mΩ  
 Material And FINISHED:  
 材料和成本:  
 INSULATOR:PBT UL 94V-0  
 绝缘体: PBT UL 94V-0  
 SHELL: STEEL  
 外壳: 钢  
 CONTACT MATERIAL:BRASS  
 触点材料: 黄铜



X03 XX WT XX X H  
 ① ② ③ ④ ⑤ ⑥ ⑦ ⑧

- ① Series No.
- ② Row No, Pin No:XX-09
- ③ Welding Board Angle :W-Male
- ④ T: Traditional
- ⑤ Planting Category: 1:Gold 1u ;2:Gold 2u; 3:Gold 3u ;4:Gold 5u; 5:Gold 15u; 6:Gold 30u ;7:Terminal half- Gold Bright Tin;8:Terminal half- Gold 2u Bright Tin 9:Terminal half- Gold 3u Bright Tin;10:Terminal half- Gold 5u Bright Tin 11:Terminal half- Gold 15u Bright Tin;12:Terminal half- Gold 30u Bright Tin 13:Terminal half- Gold Matte Tin;14:Terminal half- Gold 2u Matte Tin 15:Terminal half- Gold 3u Matte Tin;16:Terminal half- Gold 5u Matte Tin 17:Terminal half- Gold 15u Matte Tin;18:Terminal half- Gold 30u Matte Tin
- ⑥ B:Black W:White BL:Blue
- ⑦ 1:TYPE-1; 2:TYPE-2
- ⑧ H:Heightened



NO.OF CONTACT	A±0.20	B±0.20	C±0.20	D
09	16.92	24.99	30.81	11.08
15	25.25	33.32	39.14	19.39
25	38.96	47.04	53.04	33.24
37	55.42	63.50	69.32	49.86

DSND		SCALE: N/A	MODEL TYPE: D-USB
DWN		VIEW:	PART NO.: X03XXWTXXXH
CHKD		UNIT: mm/in	DWG NO.: X-X03XXWTXXXH
APPD		SIZE: A4	WEIGHT SHEET REVISION 1/1 A0



XKB INDUSTRIAL PRECISION CO.,LIMITED

MARK	DESCRIPTION	DATE	REVISED	APPROVED	ANGLAR	±5°
Δx					L ≤ 4	±0.2
Δx					4 < L ≤ 16	±0.3
Δx					16 < L ≤ 63	±0.4
					L > 63	±0.5
REVISIONS					UNSPECIFIED TOLERANCES	
www.helloxkb.com www.helloxkb.cn www.xk-dg.cn						

## X-ON Electronics

Largest Supplier of Electrical and Electronic Components

*Click to view similar products for [D-Sub Standard Connectors](#) category:*

*Click to view products by [XKB](#) manufacturer:*

Other Similar products are found below :

[015-0339-000](#) [015-0341-000](#) [015-0349-000](#) [015-0350-000](#) [015-8544-011](#) [015-8755-001](#) [017041-0005](#) [020419-0104](#) [609-25P](#) [609-9P](#)  
[M24308/2-23Z](#) [CT0-24-10SC](#) [CT0-36-3PC](#) [CT0E20-8PS](#) [CT0F16S-1PS](#) [CT0TA16-11SXCA232](#) [CT1E20-19SS](#) [CT2-10SL-3SC](#) [CT2-14S-2PCA34](#) [CT2-18-11PCAU](#) [CT2-22-19SC](#) [CT2-36-5PC](#) [CT6-10SL-3SC](#) [CT6-10SL-4SC](#) [CT6-14S-2SC](#) [CT6-16-12SC](#) [CT6-18-10PSA206](#)  
[CT6-18-10PSA232](#) [CT6-18-11PXSA206](#) [CT6-18-11PXSA232](#) [CT6-22-10PS](#) [CT6-24-5PC](#) [CT6-9767-18-8-18-4SS](#) [CT6E14S-5SC](#)  
[CT6E14SA7SC](#) [CT6E20-14SS](#) [CT6E22-14PC](#) [CT6E22-14PS](#) [CT6E22-19PS](#) [CT6E22-22PS](#) [CT6E24-10SC](#) [CT6F16S-1SC](#) [CT6FA10SL-4PS](#)  
[CT6LA20-19PC](#) [CT6M20-19SS](#) [CT6NSB4-20-8SS](#) [CT6TC14S-6SCAU](#) [CT6TC14S-7PS](#) [6STD15SCT99S40X](#) [6STF09PCM05B70X](#)