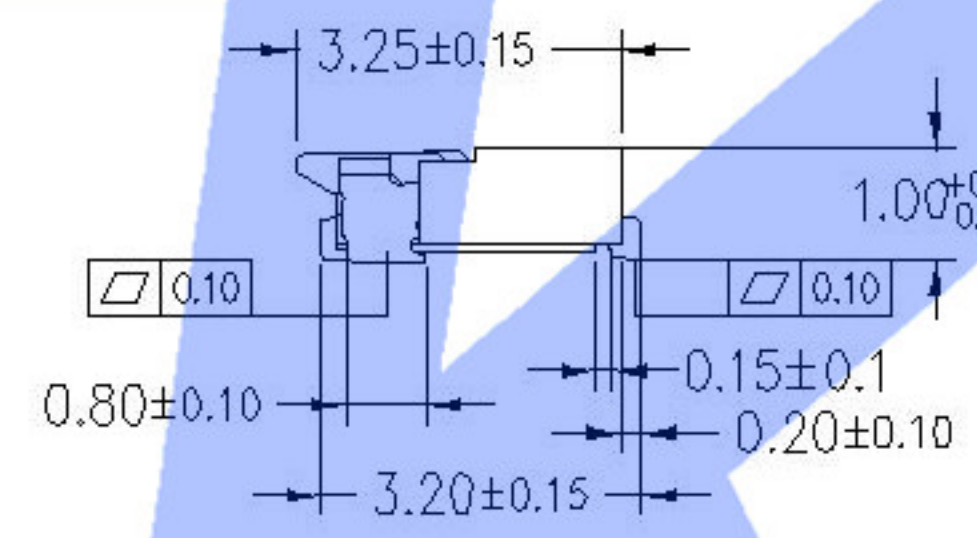
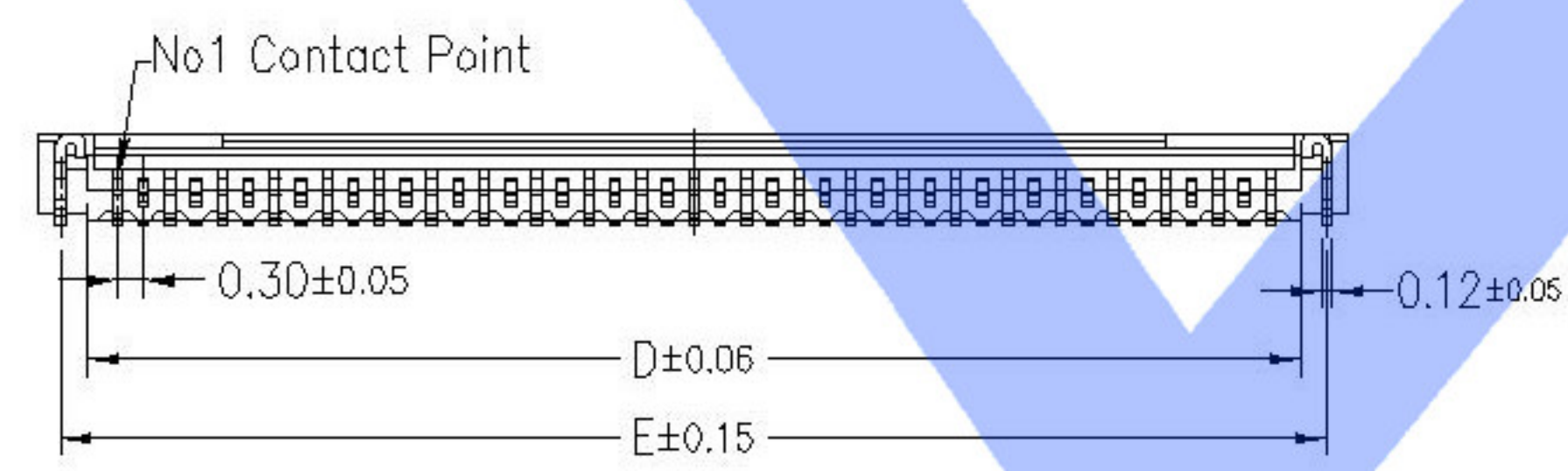


Number of Contacts	Dimension				
	A	B	C	D	E
13	5.40	3.00	3.60	4.25	4.90
15	6.00	3.60	4.20	4.85	5.50
17	6.60	4.20	4.80	5.45	6.10
19	7.20	4.80	5.40	6.05	6.70
21	7.80	5.40	6.00	6.65	7.30
23	8.40	6.00	6.60	7.25	7.90
25	9.00	6.60	7.20	7.85	8.50
27	9.60	7.20	7.80	8.45	9.10
29	10.20	7.80	8.40	9.05	9.70
31	10.80	8.40	9.00	9.65	10.30
33	11.40	9.00	9.60	10.25	10.90
35	12.00	9.60	10.20	10.85	11.50
37	12.60	10.20	10.80	11.45	12.10
39	13.20	10.80	11.40	12.05	12.70
41	13.80	11.40	12.00	12.65	13.30
45	15.00	12.60	13.20	13.85	14.50
49	16.20	13.80	14.40	15.05	15.70
51	16.80	14.40	15.00	15.65	16.30
57	18.60	16.20	16.80	17.45	18.10
61	19.80	17.40	18.00	18.65	19.30
67	21.60	19.20	19.80	20.45	21.10
71	22.80	20.40	21.00	21.65	22.30
73	23.40	21.00	21.60	22.25	22.90



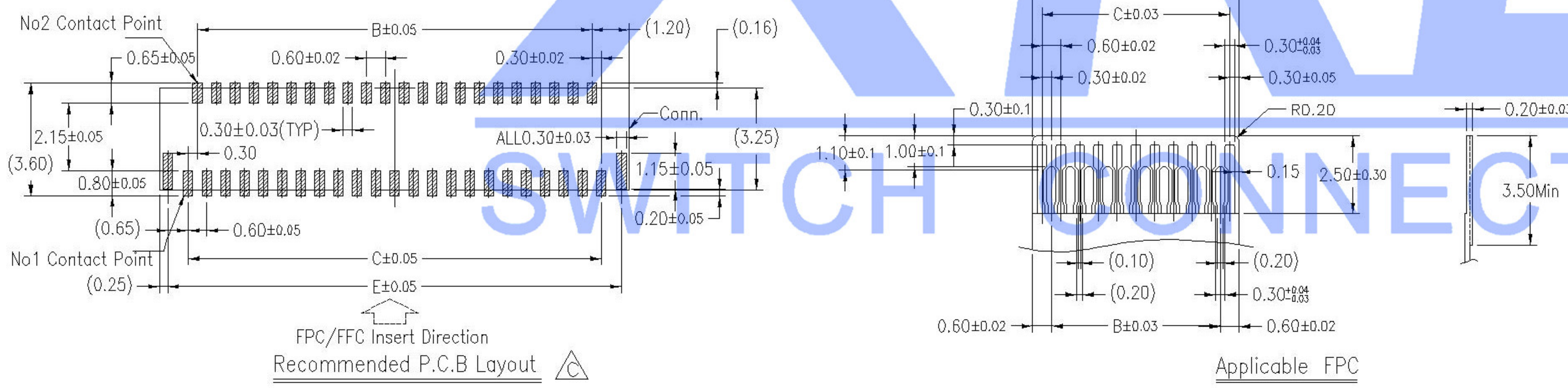
NOTES:

MATERIAL:  
 THIS PART DON'T CONTAIN ANY SUBSTANCES WHICH ARE SPECIFIED IN SS-00259  
 HOUSING: GLASS FILLED THERMO-PLASTIC. UL 94V-0 BLACK  
 ACTUATOR: GLASS FILLED THERMO-PLASTIC. UL 94V-0 NATURAL  
 CONTACTS: PHOSPHOR BRONZE C5210R-SH THICKNESS=0.12MM  
 LATCH: PHOSPHOR BRONZE C5191R-H THICKNESS=0.12MM

1. FPC NOT MATING CONDITION BANNED CLOSURE  
 2. PART NO. LEGEND:  
**X03A10 L XX X**  
 ① ② ③ ④

① Series Name : X03A10=0.3 mm Pitch(H=1.0mm)  
 ② Assembly style : L:Low Contact SMT Type U:Upper Contact SMT Type  
 D:Double-Face Contact SMT Type H:Back-flip Double-Face Contact SMT Type  
 ③ Number of terminals :XX=13-73PIN  
 ④ Plating : G:Gold Flash Over Nickel T:Tin Over Nickel

3. PERFORMANCE:  
 3.1: CURRENT RATING: 0.2A/PIN.  
 3.2: VOLTAGE RATING: 30V (AC/DC).  
 3.3: CONTACT RESISTANCE: INITIAL VALUE 30mOHM Max,  
 3.4: INSULATION RESISTANCE: 500MOHM Min.  
 3.5: DIELECTRIC WITHSTANDING VOLTAGE: 250V AC FOR 1MINUTE:



FPC/FFC Insert Direction  
 Recommended P.C.B Layout

Applicable FPC

DSND		DATE		SCALE: N/A	MODEL TYPE: FPC CONNECTOR
△ X		DATE		VIEW:	PART NO.:
△ X		DATE		UNIT: mm	DWG NO.:
△ X		DATE		SIZE: A4	<b>X03A10LXXX</b>
MARK	DESCRIPTION	DATE	REVISED	APPROVED	WEIGHT 1.0g
REVISIONS					SHEET 1/1
www.xk-dg.cn www.helloxkb.com www.helloxkb.cn					REVISION A0

ANGLAR	±5°	XKB INDUSTRIAL PRECISION CO.,LIMITED
L ≤ 4	±0.2	
4 < L ≤ 16	±0.3	
16 < L ≤ 63	±0.4	
L > 63	±0.5	
UNSPECIFIED TOLERANCES		

## X-ON Electronics

Largest Supplier of Electrical and Electronic Components

*Click to view similar products for [FFC & FPC Connectors](#) category:*

*Click to view products by [XKB](#) manufacturer:*

Other Similar products are found below :

[HFW11R-1STE1H1LF](#) [FH29B-100S-0.2SHW\(99\)](#) [FA5S008HP1](#) [FH29B-120S-0.2SHW\(99\)](#) [FH29B-80S-0.2SHW\(99\)](#) [FHS-16](#) [FPH-2022G](#)  
[52610-1075](#) [52610-1275](#) [52610-1934](#) [XF3M\(1\)-1415-1B-R100](#) [501864-3091-TR225](#) [0525594033](#) [086210010340800](#) [086222026001800](#)  
[52271-2869-CUT-TAPE](#) [62674-201121DLF](#) [62684-36210E9ALF](#) [52610-1675](#) [52746-1671-TR250](#) [10051922-2810EHLF](#) [6-520415-9](#)  
[BD021-09A-A1-0350-0200-0550-LD](#) [SFV6R-1STE9HLF](#) [XF3M-2915-1B-R100](#) [1658549-1](#) [62674-221121ALF](#) [46214008010800](#)  
[046298003000883](#) [151660622](#) [842-816-2630-035](#) [AYF530665TA](#) [AYF351525](#) [046296011930846+](#) [AYF352325A](#) [046254020000800+](#)  
[FH19C-13S-0.5SH\(99\)](#) [FH39J-51S-0.3SHW\(99\)](#) [AYF355125A](#) [AYF530365TA](#) [FH29B-44S-0.2SHW\(99\)](#) [SFW5R-2STAE9LF](#) [AYF351125A](#)  
[AYF350725A](#) [62684-502100AHLF](#) [FH39-61S-0.3SHW\(99\)](#) [AYF414035A](#) [10064555-172520HLF](#) [AYF212335A](#) [504754-2500](#)