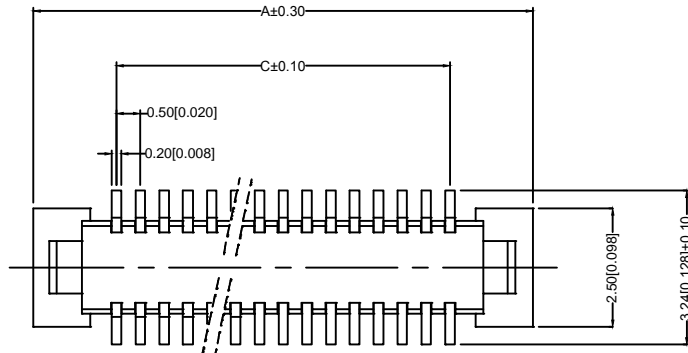


RECOMMENDED PCB PATTERN DIM.  
TOLERANCE : ±0.05



Specifications:

- Voltage rating:50V AC/DC  
50V AC/DC
- Current rating:0.5A AC/DC  
0.5A AC/DC
- Withstanding voltage:1500V AC/minute  
500V AC/
- Temperature range:-25 +85  
-25 +85
- Insulation resistance:≥1000MΩ  
≥1000MΩ
- Contact resistance:≤55mΩ  
≤20mΩ
- After environmental testing:≤40mΩ  
≤40

X0511 W V S-XX X X S- LP V01  
○ ◎ ○ ○ ○ ◎ ○ ○ ○ ◎

- 1.Series No
- 2.Category:W-WAFER
- 3.Welding Board Angle:V-Straight 180°
- 4.Welding Way:S-SMT
- 5.Row No-Pin No:XXP
- 6.Female Height:A:1.5mm;B:2.0mm;C:2.5
- 7.Male Height:D:0.5mm;
- 8.speclal No:S-With positioning Column
- 9.Material:LP-LCP
- 10.Metal plating:Gold Flash

HIGH	SOCKET(H1)
1.50	1.35
2.00	1.85
2.50	2.35

MATED HEIGHT	
X0511WVS-XXXXS-LPV01	
Single high	
X0511WVS-XXXXS-LPV01	

MATED HEIGHT	
Female Height	Male Height
A:1.5	1.5
B:2.0	1.5
C:2.5	1.5

P数	尺寸			P数	尺寸		
	A	B	C		A	B	C
10	5.60	3.50	2.00	32	16.60	14.50	13.00
12	6.10	4.00	2.50	34	17.10	15.00	13.50
14	6.60	4.50	3.00	36	17.60	15.50	14.00
16	7.10	5.00	3.50	38	18.10	16.00	14.50
18	7.60	5.50	4.00	40	18.60	16.50	15.00
20	8.10	6.00	4.50	42	19.10	17.00	15.50
22	8.60	6.50	5.00	44	19.60	17.50	16.00
24	9.10	7.00	5.50	46	20.10	18.00	16.50
26	9.60	7.50	6.00	48	20.60	18.50	17.00
28	10.10	8.00	6.50	50	21.10	19.00	17.50
30	10.60	8.50	7.00	52	21.60	19.50	18.00
32	11.10	9.00	7.50	60	22.10	20.00	18.50
34	11.60	9.50	8.00	70	22.60	20.50	19.00
36	12.10	10.00	8.50	80	23.10	21.00	19.50
38	12.60	10.50	9.00				
40	13.10	11.00	9.50				
42	13.60	11.50	10.00				
44	14.10	12.00	10.50				
46	14.60	12.50	11.00				
48	15.10	13.00	11.50				
50	15.60	13.50	12.00				
52	16.10	14.00	12.50				

					ANGLAR	±5°	DSND	SCALE: N/A	MODEL TYPE:
ΔX					L ≤ 4	±0.2	DWN	VIEW:	PART NO.:
ΔX					4 < L ≤ 16	±0.3	CHKD	UNIT: mm/in	0.50mm IDC Style Connectors
ΔX					16 < L ≤ 63	±0.4	APPD	SIZE: A4	DWG NO.:
MARK	DESCRIPTION	DATE	REVISED	APPROVED	L > 63	±0.5	X0511WVS-XXXXS-LPV01		
REVISIONS					UNSPECIFIED TOLERANCES		XKB INDUSTRIAL PRECISION CO.,LIMITED		
www.helloxkb.com www.helloxkb.cn www.xk-dg.cn							WEIGHT	SHEET	REVISION
								1/1	A0



## X-ON Electronics

Largest Supplier of Electrical and Electronic Components

*Click to view similar products for [Board to Board & Mezzanine Connectors](#) category:*

*Click to view products by [XKB](#) manufacturer:*

Other Similar products are found below :

[589158040000018](#) [MDF7C-18P-2.54DSA\(55\)](#) [FCN-268F036-G/BD](#) [FCN-268M012-G/0D](#) [FCN-268M024-G/1D](#) [FCN-723J004/1](#) [MIS-048-01-F-D-DP-K](#) [832-10-034-10-001000](#) [FX4C-80S-1.27DSA](#) [93696-330](#) [224393](#) [FCN-235D050-G/C](#) [210-93-314-41-105000](#) [2-22603-0](#) [MDF7-40DP-2.54DSA\(55\)](#) [5031084030](#) [MIT-114-03-F-D-K](#) [55323-1519](#) [45970-4130](#) [YFT-20-05-H-03-SB-K](#) [503308-3040](#) [026-6203-PDB](#) [027-6203-PDB](#) [069159702701000](#) [101A10019X](#) [105061100000861+](#) [55650-0588-C](#) [75140-7012](#) [87471-650](#) [YTW-30-07-H-Q-410-140](#) [YTT-112-01-H-Q](#) [063209](#) [0717420006](#) [FCN-268F024-G0D](#) [10124054-515LF](#) [68685-603](#) [8-1616154-3](#) [MIS-019-01-F-D](#) [IL-WX-10PB-HF-B-E1000E](#) [YFT-50-05-H-10-SB-K](#) [FCN-268M024-G/3D](#) [MDF7-16DP-2.54DSA\(55\)](#) [AXE810124](#) [FCN-214J100-G/0](#) [FCN-230C068-E/S](#) [AXE812124](#) [74220-001](#) [354184](#) [P50-028-DDS-TG](#) [53309-2471](#)