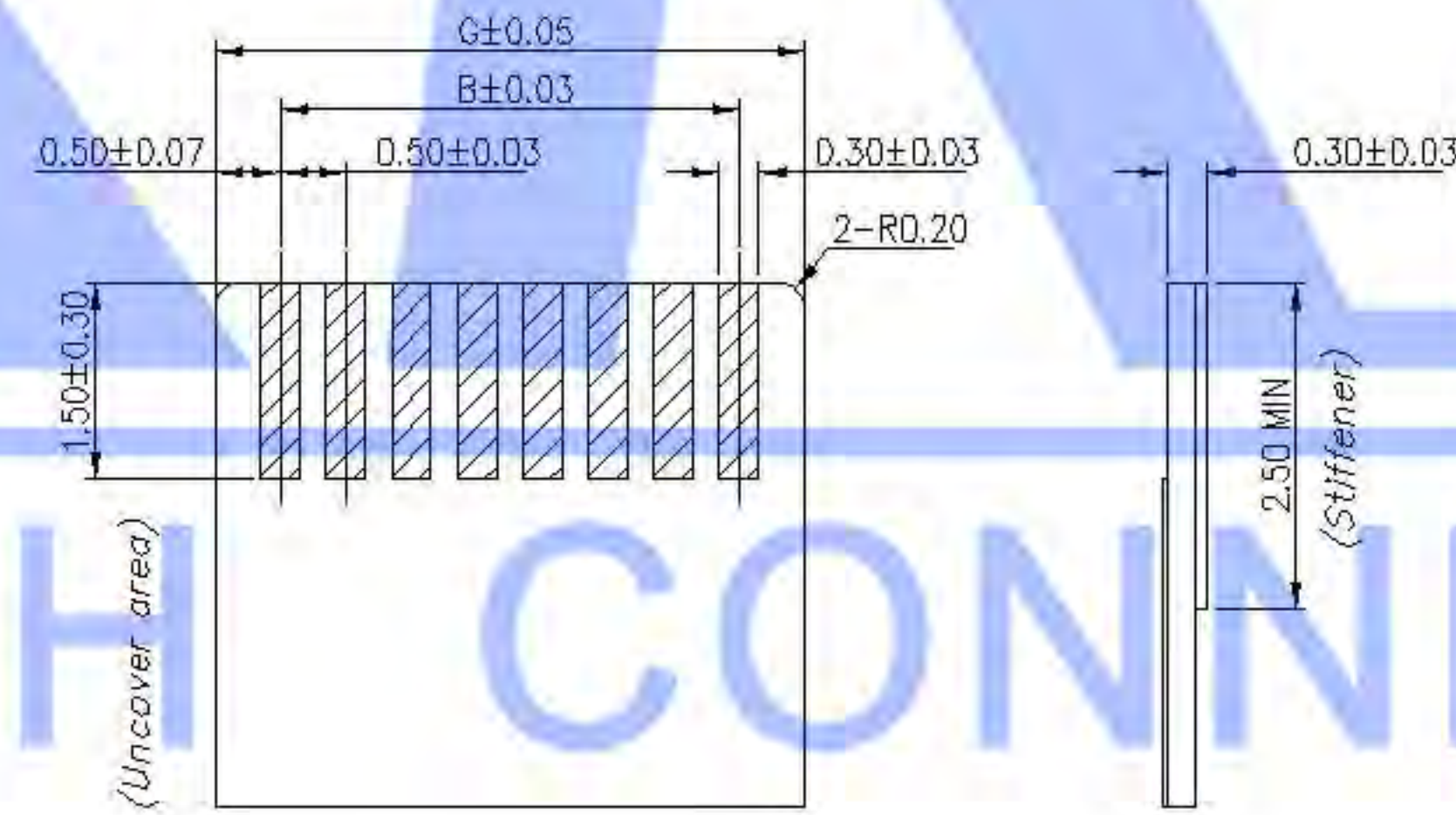


Recommended PCB Layout(Top View)

Recommended metal mask pattern(thickness 0.1mm)



Recomenend FPC Dim.

NOTES: MATERIAL & FINISH

1.MATERIAL:
 HOUSING:LCP(UL 94V-0)
 ACTUATOR:LCP(UL 94V-0)
 TERMINAL: COPPER ALLOY
 SOLDER PIN: COPPER ALLOY

2.PLATING:

TERMINAL: GOLD FLASH OVER NICKEL
 SOLDER PIN: TIN OVER NICKEL(LEAD FREE)

50	27.00	24.50	25.57	26.39	26.10	26.90	25.50
45	24.80	22.00	23.07	23.89	23.60	24.40	23.00
40	22.00	19.50	20.57	21.39	21.10	21.90	20.50
34	19.00	16.50	17.57	18.39	18.10	18.90	17.50
32	18.00	15.50	16.57	17.39	17.10	17.90	16.50
30	17.00	14.50	15.57	16.39	16.10	16.90	15.50
26	15.00	12.50	13.57	14.39	14.10	14.90	13.50
24	14.00	11.50	12.57	13.39	13.10	13.90	12.50
23	13.50	11.00	12.07	12.89	12.60	13.40	12.00
22	13.00	10.50	11.57	12.39	12.10	12.90	11.50
20	12.00	9.50	10.57	11.39	11.10	11.90	10.50
16	10.00	7.50	8.57	9.39	9.10	9.90	8.50
14	9.00	6.50	7.57	8.39	8.10	8.90	7.50
12	8.00	5.50	6.57	7.39	7.10	7.90	6.50
11	7.50	5.00	6.07	6.89	6.60	7.40	6.00
10	7.00	4.50	5.57	6.39	6.10	6.90	5.50
8	6.00	3.50	4.57	5.39	5.10	5.90	4.50
7	5.50	3.00	4.07	4.89	4.60	5.40	4.00
6	5.00	2.50	3.57	4.39	4.10	4.90	3.50
4	4.00	1.50	2.57	3.39	3.10	3.90	2.50
Number of Contacts	DIM A	DIM B	DIM C	DIM D	DIM E	DIM F	DIM G

- 1. FPC NOT MATING CONDITION BANNED CLOSURE
- 2. PART NO. LEGEND:

X05A10 L XX X

① ② ③ ④

- ① Series Name : X05A10=0.5 mm Pitch(H=1.0mm)
- ② Assembly style : L.Low Contact SMT Type U.Upper Contact SMT Type D.Double-Face Contact SMT Type H.Back-flip Double-Face Contact SMT Type
- ③ Number of terminals :XX=04-50PIN
- ④ Plating : G:Gold Flash Over Nickel T:Tin Over Nickel

3. PERFORMANCE:

- 3.1: CURRENT RATING: 0.5A/PIN.
- 3.2: VOLTAGE RATING: 50V (AC/DC).
- 3.3: CONTACT RESISTANCE: INITIAL VALUE 30mOHM Max,
- 3.4: INSULATION RESISTANCE: 500MOHM Min.
- 3.5: DIELECTRIC WITHSTANDING VOLTAGE: 250V AC FOR 1MINUTE
- 3.6: DURABILITY: 20 TIMES Min.
- 3.7: OPERATING TEMPERATURE: -40°C~+85°C
OPERATING HUMIDITY RANGE: 20% TO 85%

						ANGLAR	±5°	DSND		DATE		SCALE: N/A	MODEL TYPE:
Δ X						L ≤ 4	±0.2	DWN		DATE		VIEW:	FPC CONNECTOR
Δ X						4 < L ≤ 16	±0.3	CHKD		DATE		UNIT: mm	PART NO.:
Δ X						16 < L ≤ 63	±0.4	APPD		DATE		SIZE: A4	DWG NO.:
MARK	DESCRIPTION	REVISIONS	DATE	REVISED	APPROVED	L > 63	±0.5						X05A10LXXX
							UNSPECIFIED TOLERANCES	XKB INDUSTRIAL PRECISION CO.,LIMITED			WEIGHT	SHEET	REVISION
www.xk-dg.cn www.helloxkb.com www.helloxkb.cn											1.0g	1/1	A0

X-ON Electronics

Largest Supplier of Electrical and Electronic Components

Click to view similar products for [FFC & FPC Connectors](#) category:

Click to view products by [XKB](#) manufacturer:

Other Similar products are found below :

[00-6200-227-022-800](#) [006205250500825+](#) [006205280500825+](#) [FPH-1602G](#) [FPH-2022G](#) [52610-1275](#) [501864-3091-TR225](#)
[086222026001800](#) [52610-0675](#) [62674-201121DLF](#) [62684-36210E9ALF](#) [52746-1671-TR250](#) [10051922-2810EHLF](#) [686322124422](#) [XF3M-](#)
[2915-1B-R100](#) [AYF353125A](#) [AYF530665TA](#) [AYF534065TA](#) [AYF351525](#) [086212040340800+](#) [AYF530365TA](#) [67000-004LF](#)
[006207341915000+](#) [207356-1](#) [67000-003LF](#) [HFW14R-2STE9LF](#) [SFW12R-5STE9LF](#) [SFW18R-1STAE9LF](#) [SFW4R-5STE9LF](#) [52807-0430](#)
[046283021002868+](#) [502250-8027](#) [104267-9617](#) [66987-011LF](#) [HFW8S-2STAE1HLF](#) [67000-008LF](#) [HFW22R-2STE1H1LF](#) [0781271110](#)
[5019511030](#) [200528-0260](#) [5039084120](#) [503908-5120](#) [SFW20R-1STGE5LF](#) [FH12-18S-0.5SH](#) [686116183522](#) [FH64MA-11S-0.25SHW](#)
[686114183522](#) [502078-5362](#) [FH52K-68S-0.5SH](#) [FH26W-23S-0.3SHW\(60\)](#)