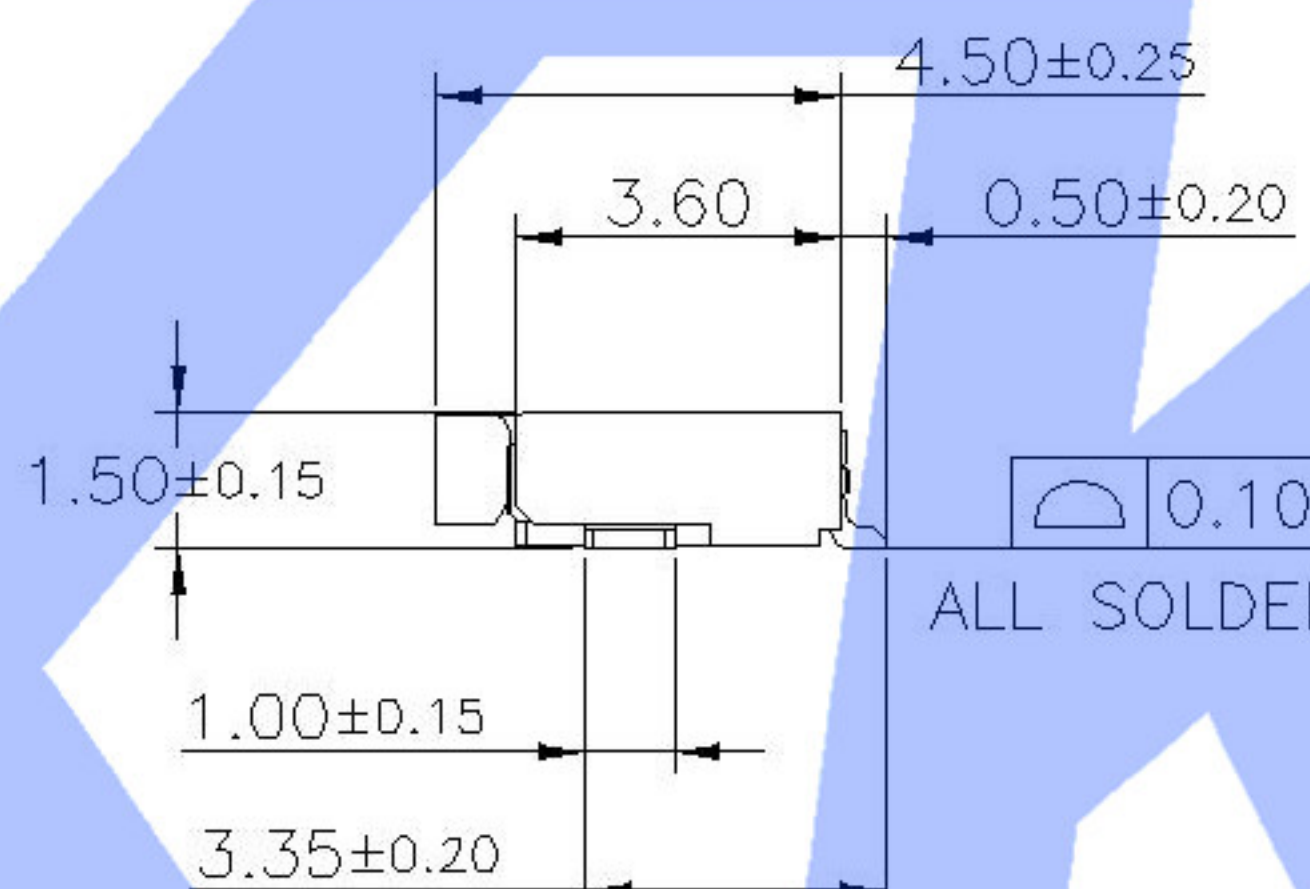
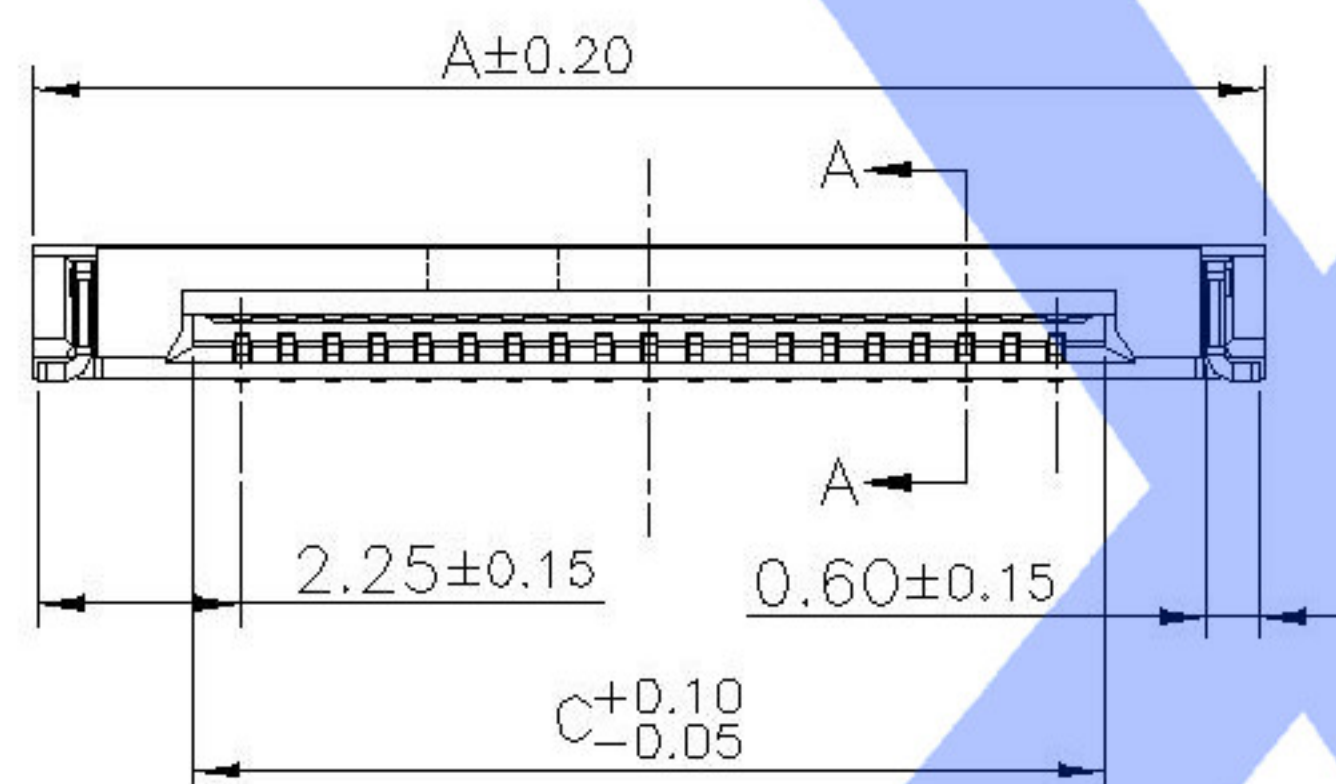
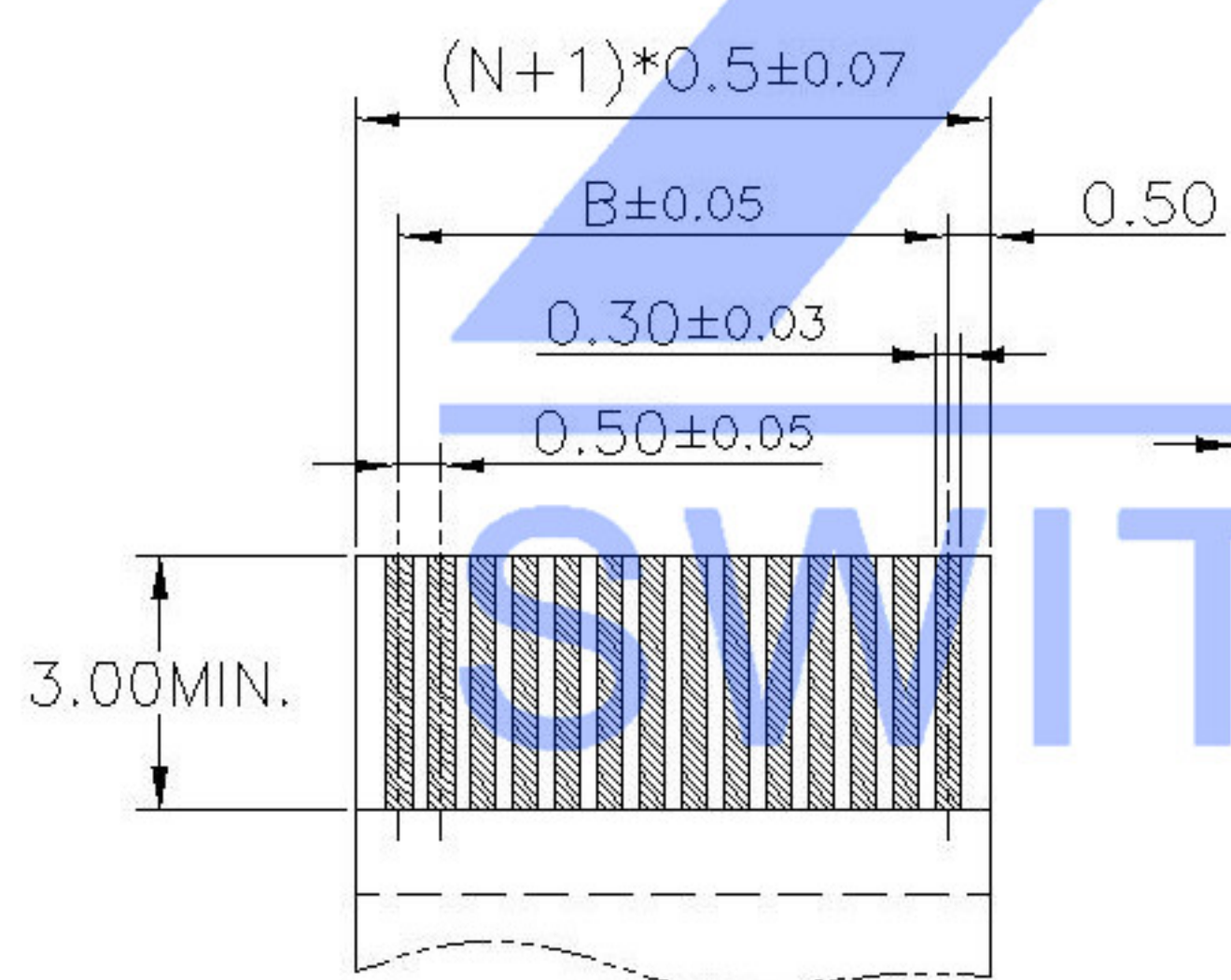


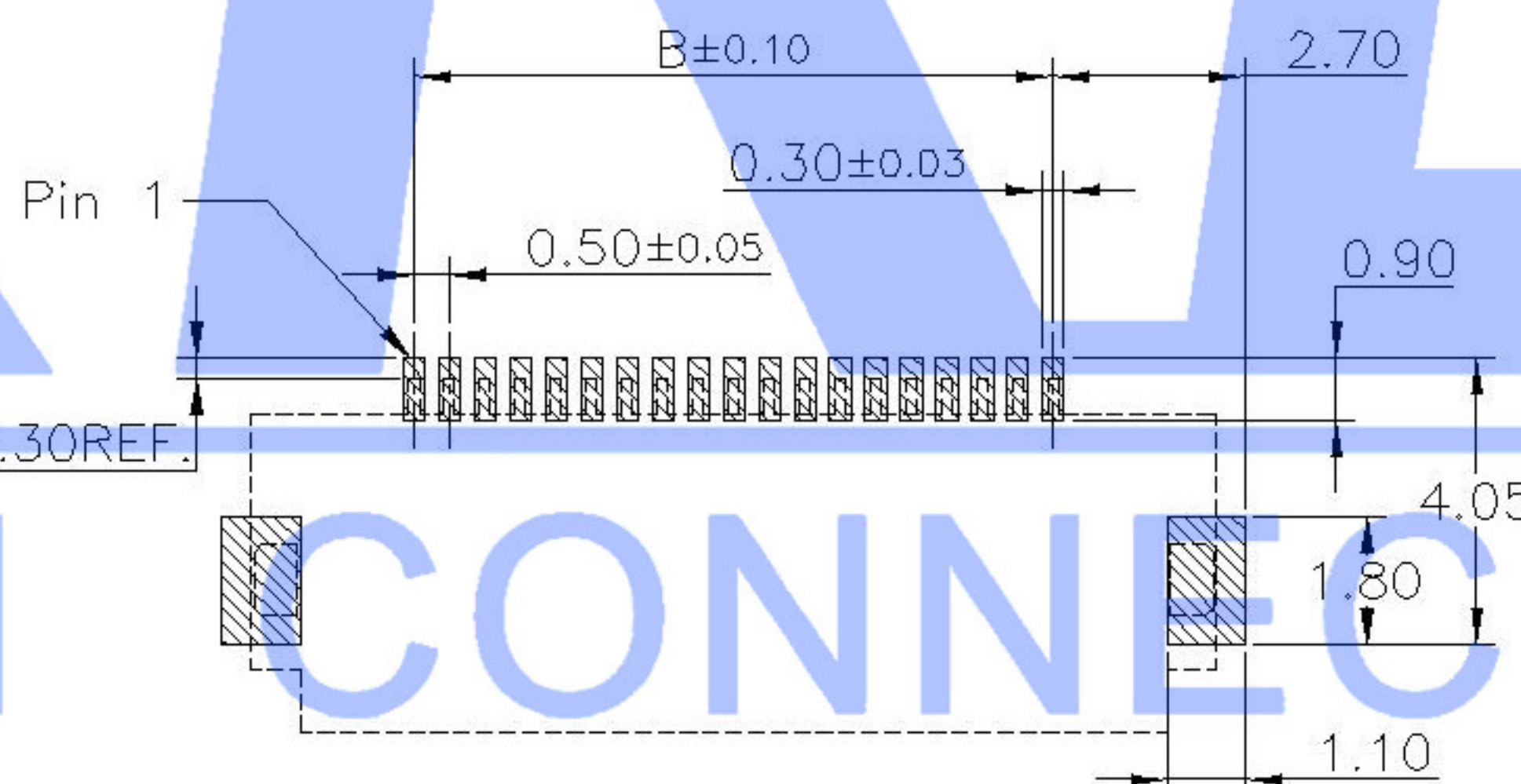
SECTION A-A



ALL SOLDER AREAS



APPLICABLE FFC
TOLERANCE: ±0.05



RECOMMEND PCB LAYOUT
TOLERANCE: ±0.05

NOTES:

1. MATERIAL:
HOUSING: HIGHT-TEMP PLASTIC,UL 94-V0,COLOR:NATURE;
COVER: HIGHT-TEMP PLASTIC,UL 94-V0,COLOR:BLACK;
CONTACT: COPPER ALLOY;
LEG: COPPER ALLOY;
2. PLATING:
CONTACT: GOLD OR TIN PLATED ON NICKEL OVERALL.
LEG: TIN PLATED ON NICKEL OVERALL.
3. RATING:
CURRENT RATING: 0.5A AC/DC
VOLTAGE RATING: 25V AC/DC
TEMPERATURE RANGE: -25°C~+85°C;
4. PART NO:

X05A15 L XX X

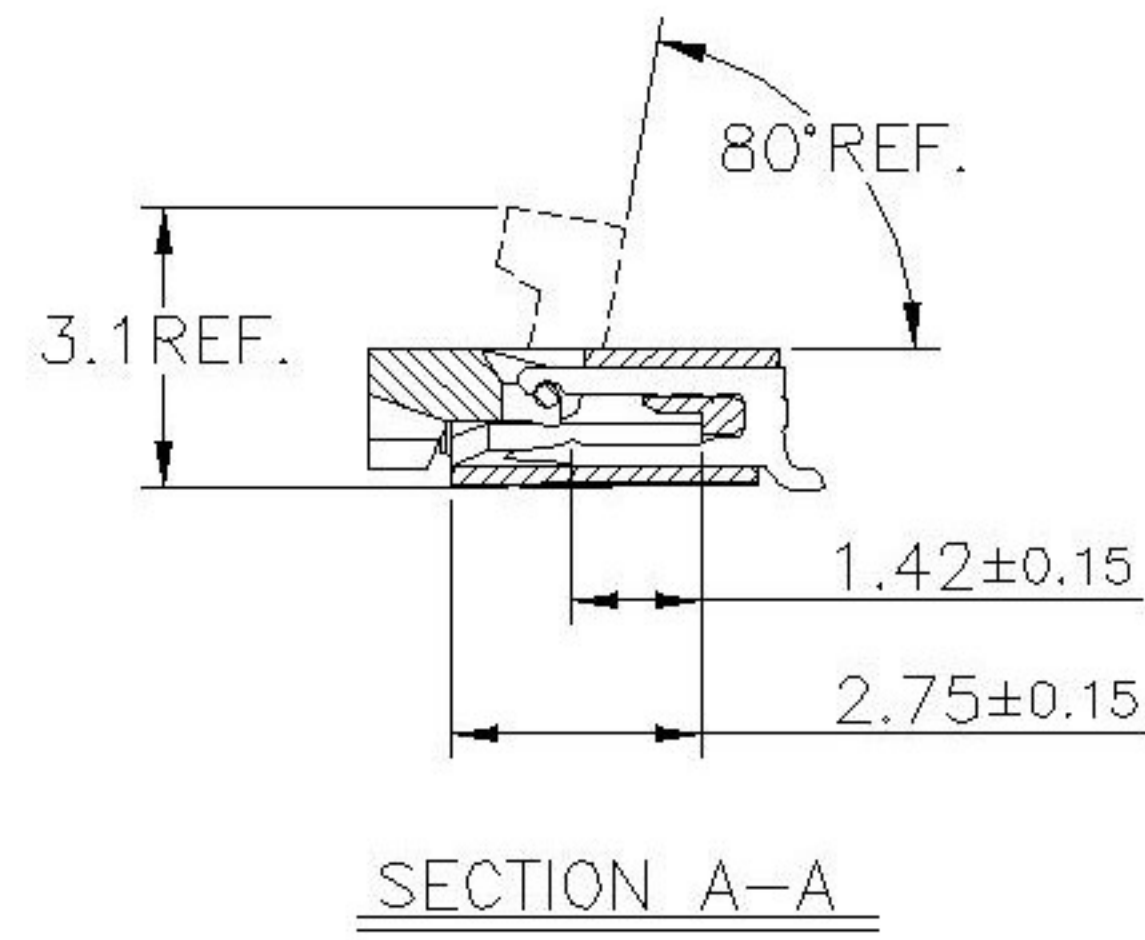
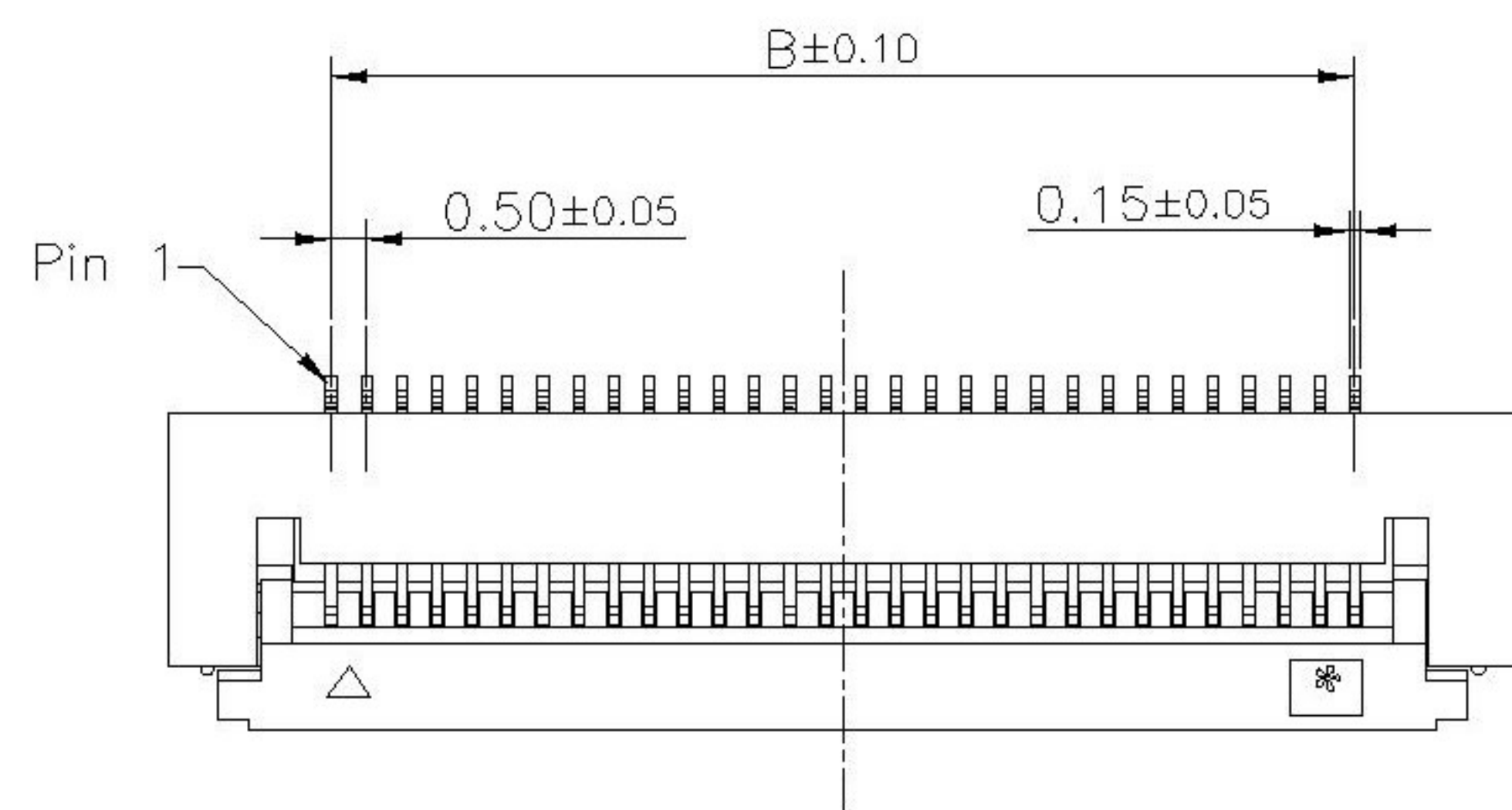
① ② ③ ④

- ① Series Name : X05A15=0.5 mm Pitch(H=1.5mm)
- ② Assembly style : L:Low Contact SMT Type U:Upper Contact SMT Type
D:Double-Face Contact SMT Type H:Back-flip Double-Face Contact SMT Type
- ③ Number of terminals :XX=04-60PIN
- ④ Plating : G:Gold Flash Over Nickel T:Tin Over Nickel

PIN NO.	DIM. A	DIM. B	DIM. C
14	11.10	6.50	7.57
15	11.60	7.00	8.07
16	11.60	7.00	8.07
17	12.60	8.00	9.07
18	13.10	8.50	9.57
19	13.60	9.00	10.07
20	14.10	9.50	10.57
21	14.60	10.00	11.07
22	15.10	10.50	11.57
23	15.60	11.00	12.07
24	16.10	11.50	12.57
25	16.60	12.00	13.07

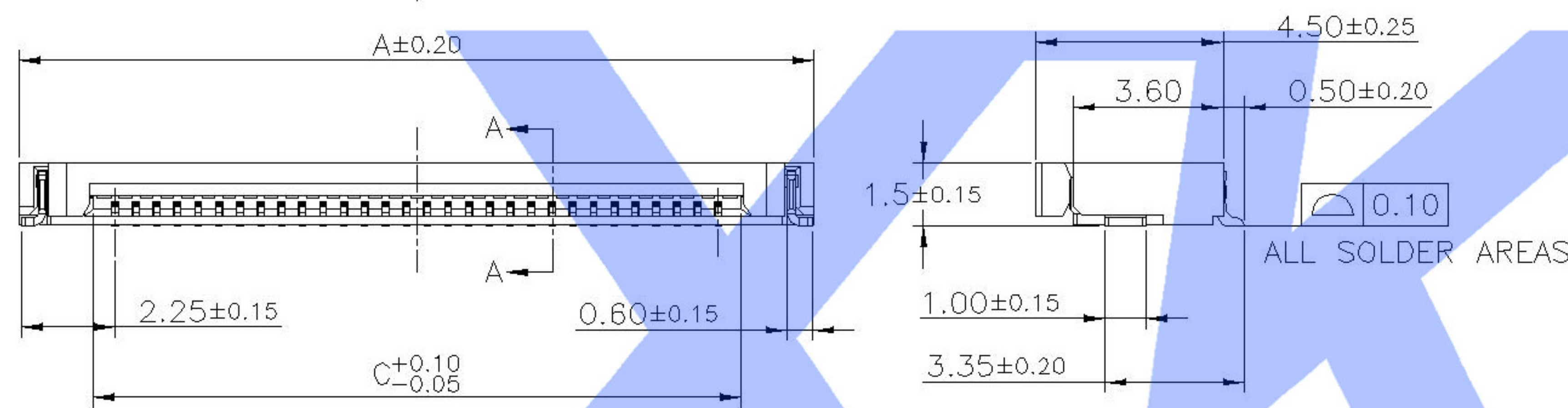
MARK	DESCRIPTION	DATE	REVISED	APPROVED	UNSPECIFIED TOLERANCES
ΔX					ANGLAR ±5°
ΔX					L ≤ 4 ±0.2
ΔX					4 < L ≤ 16 ±0.3
					16 < L ≤ 63 ±0.4
					L > 63 ±0.5
REVISIONS					
www.xk-dg.cn www.helloxkb.com www.helloxkb.cn					

DSND	DATE	SCALE: N/A	MODEL TYPE: FPC CONNECTOR		
DWN	DATE	VIEW:	PART NO.:		
CHKD	DATE	UNIT: mm	DWG NO.:		
APPD	DATE	SIZE: A4	X05A15LXXX		
XKB INDUSTRIAL PRECISION CO.,LIMITED		WEIGHT	SHEET	REVISION	
		1.0g	1/1	A0	



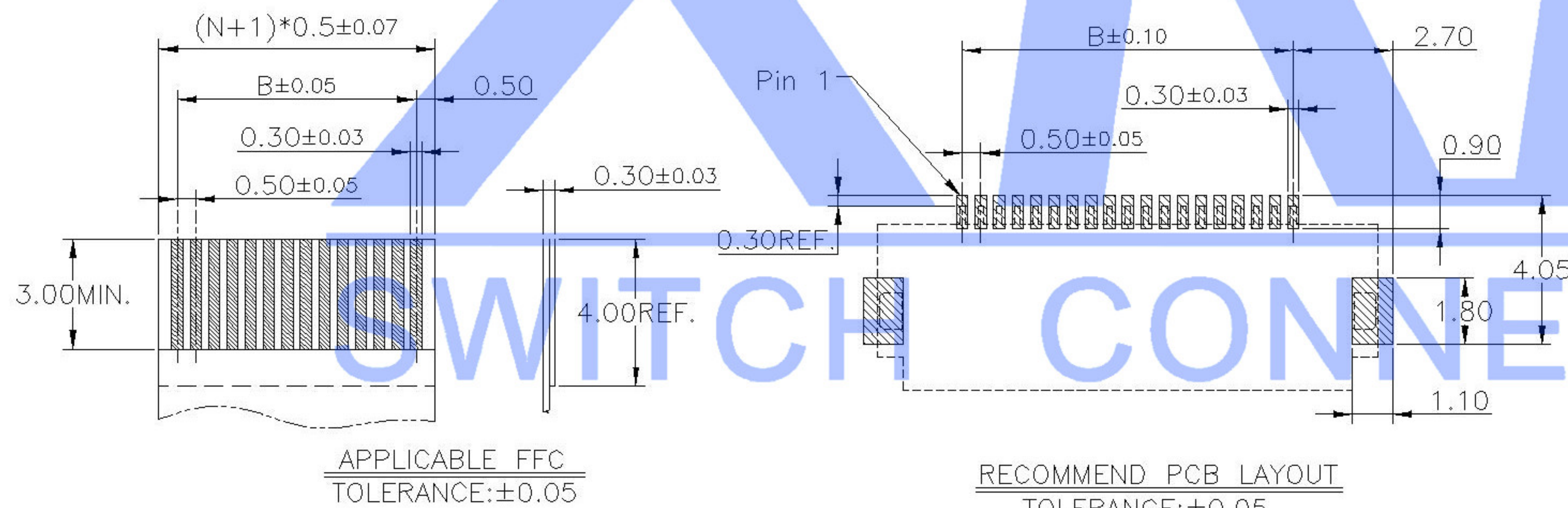
NOTES:

1. MATERIAL:
HOUSING: HIGHT-TEMP PLASTIC,UL 94-V0,COLOR:NATURE;
COVER: HIGHT-TEMP PLASTIC,UL 94-V0,COLOR:BLACK;
CONTACT: COPPER ALLOY;
LEG: COPPER ALLOY;
2. PLATING:
CONTACT: GOLD OR TIN PLATED ON NICKEL OVERALL.
LEG: TIN PLATED ON NICKEL OVERALL.
3. RATING:
CURRENT RATING: 0.5A AC/DC
VOLTAGE RATING: 25V AC/DC
TEMPERATURE RANGE: -25°C~+85°C;
4. PART NO:



X05A15 L XX X

- ① Series Name :X05A15=0.5 mm Pitch(H=1.5mm)
- ② Assembly style : L:Low Contact SMT Type U:Upper Contact SMT Type
D:Double-Face Contact SMT Type H:Back-flip Double-Face Contact SMT Type
- ③ Number of terminals :XX=04-60PIN
- ④ Plating : G:Gold Flash Over Nickel T:Tin Over Nickel



PIN NO.	DIM. A	DIM. B	DIM. C	PIN NO.	DIM. A	DIM. B	DIM. C
26	17.10	12.50	13.57	43	25.60	21.00	22.07
27	17.60	13.00	14.07	44	26.10	21.50	22.57
28	18.10	13.50	14.57	45	26.60	22.00	23.07
29	18.60	14.00	15.07	46	27.10	22.50	23.57
30	19.10	14.50	15.57	47	27.60	23.00	24.07
31	19.60	15.00	16.07	48	28.10	23.50	24.57
32	20.10	15.50	16.57	49	28.60	24.00	25.07
33	20.60	16.00	17.07	50	29.10	24.50	25.57
34	21.10	16.50	17.57	51	29.60	25.00	26.07
35	21.60	17.00	18.07	52	30.10	25.50	26.57
36	22.10	17.50	18.57	53	30.60	26.00	27.07
37	22.60	18.00	19.07	54	31.10	26.50	27.57
38	23.10	18.50	19.57	55	31.60	27.00	28.07
39	23.60	19.00	20.07	56	32.10	27.50	28.57
40	24.10	19.50	20.57	57	32.60	28.00	29.07
41	24.60	20.00	21.07	58	33.10	28.50	29.57
42	25.10	20.50	21.57	59	33.60	29.00	30.07
				60	34.10	29.50	30.57

△X					ANGLAR	±5°	DSND		DATE	SCALE: N/A	MODEL TYPE: FPC CONNECTOR		
△X					L ≤ 4	±0.2	DWN		DATE	VIEW:	PART NO.:		
△X					4 < L ≤ 16	±0.3	CHKD		DATE	UNIT: mm	DWG NO.:		
MARK	DESCRIPTION	DATE	REVISED	APPROVED	16 < L ≤ 63	±0.4	APPD		DATE	SIZE: A4	X05A15LXXX		
					L > 63	±0.5					WEIGHT	SHEET	REVISION
					UNSPECIFIED TOLERANCES						1.0g	1/1	A0
							XKB INDUSTRIAL PRECISION CO.,LIMITED						

X-ON Electronics

Largest Supplier of Electrical and Electronic Components

Click to view similar products for [FFC & FPC Connectors](#) category:

Click to view products by [XKB](#) manufacturer:

Other Similar products are found below :

[HFW11R-1STE1H1LF](#) [FH29B-100S-0.2SHW\(99\)](#) [FA5S008HP1](#) [FH29B-120S-0.2SHW\(99\)](#) [FH29B-80S-0.2SHW\(99\)](#) [FHS-16](#) [FPH-2022G](#)
[52610-1075](#) [52610-1275](#) [52610-1934](#) [XF3M\(1\)-1415-1B-R100](#) [501864-3091-TR225](#) [0525594033](#) [086210010340800](#) [086222026001800](#)
[52271-2869-CUT-TAPE](#) [62674-201121DLF](#) [62684-36210E9ALF](#) [52610-1675](#) [52746-1671-TR250](#) [10051922-2810EHLF](#) [6-520415-9](#)
[BD021-09A-A1-0350-0200-0550-LD](#) [SFV6R-1STE9HLF](#) [XF3M-2915-1B-R100](#) [1658549-1](#) [62674-221121ALF](#) [46214008010800](#)
[046298003000883](#) [151660622](#) [842-816-2630-035](#) [AYF530665TA](#) [AYF351525](#) [046296011930846+](#) [AYF352325A](#) [046254020000800+](#)
[FH19C-13S-0.5SH\(99\)](#) [FH39J-51S-0.3SHW\(99\)](#) [AYF355125A](#) [AYF530365TA](#) [FH29B-44S-0.2SHW\(99\)](#) [SFW5R-2STAE9LF](#) [AYF351125A](#)
[AYF350725A](#) [62684-502100AHLF](#) [FH39-61S-0.3SHW\(99\)](#) [AYF414035A](#) [10064555-172520HLF](#) [AYF212335A](#) [504754-2500](#)