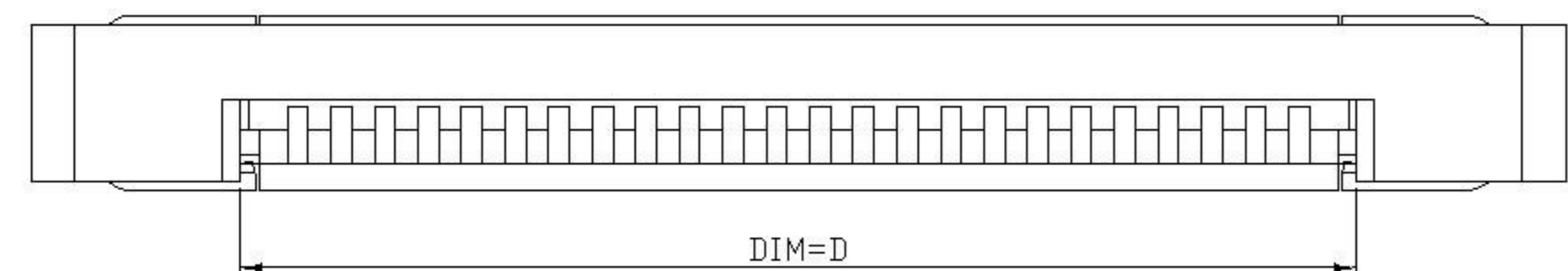
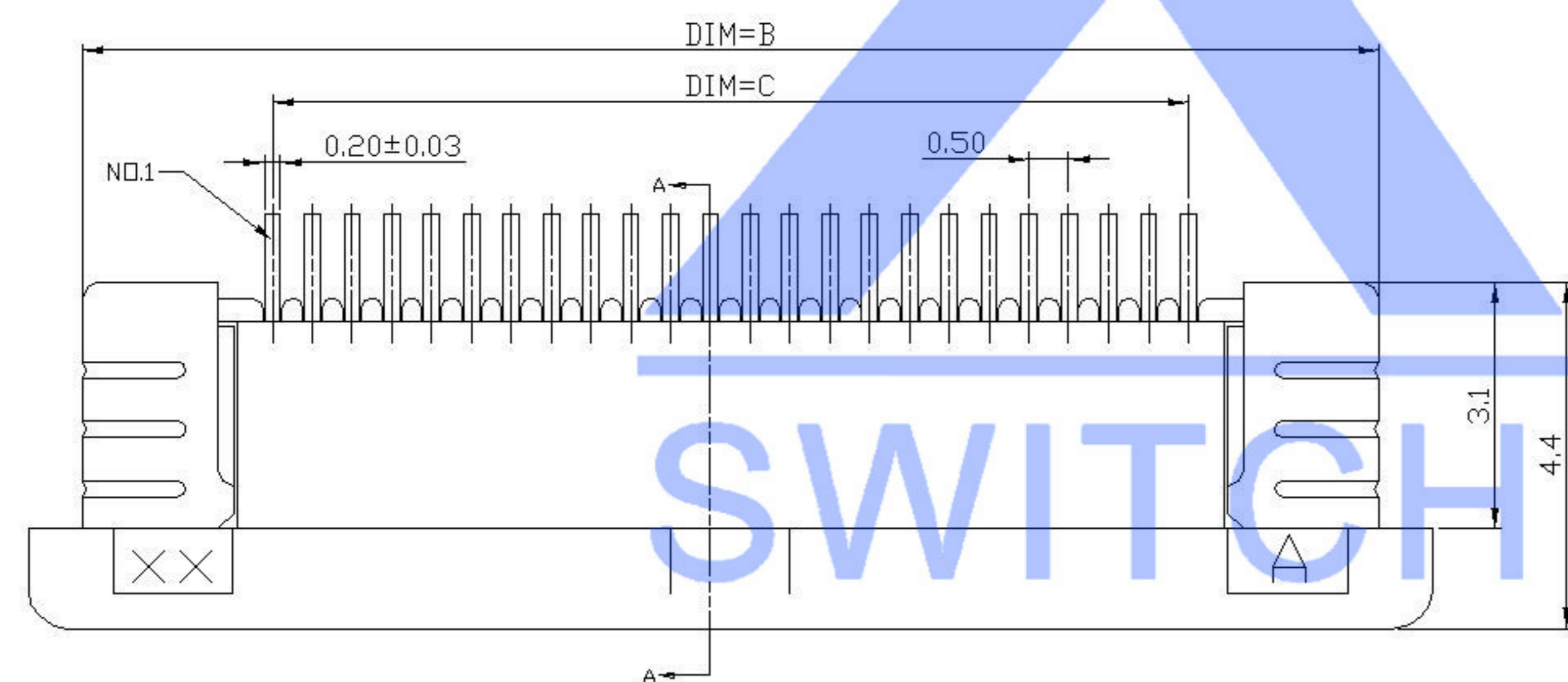
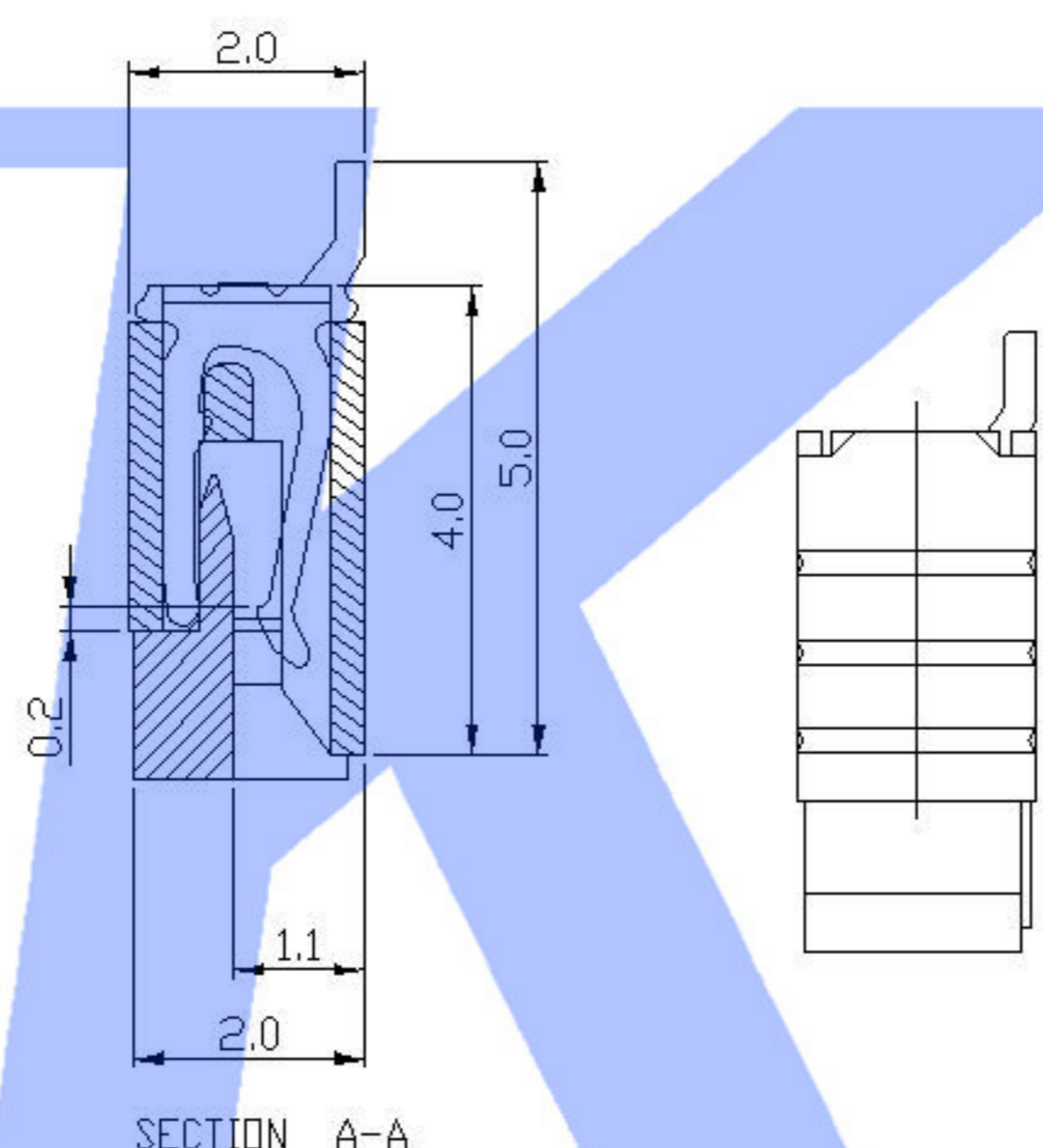
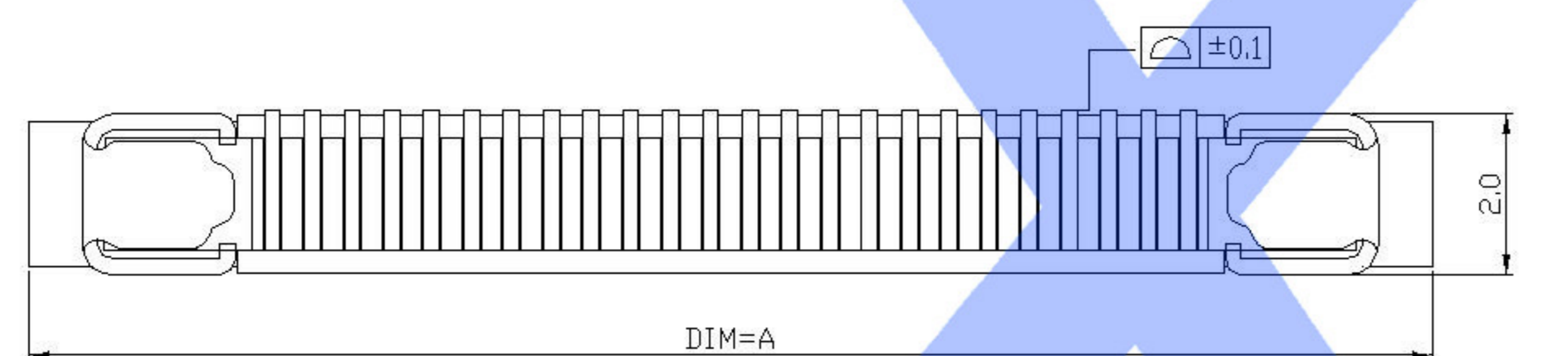
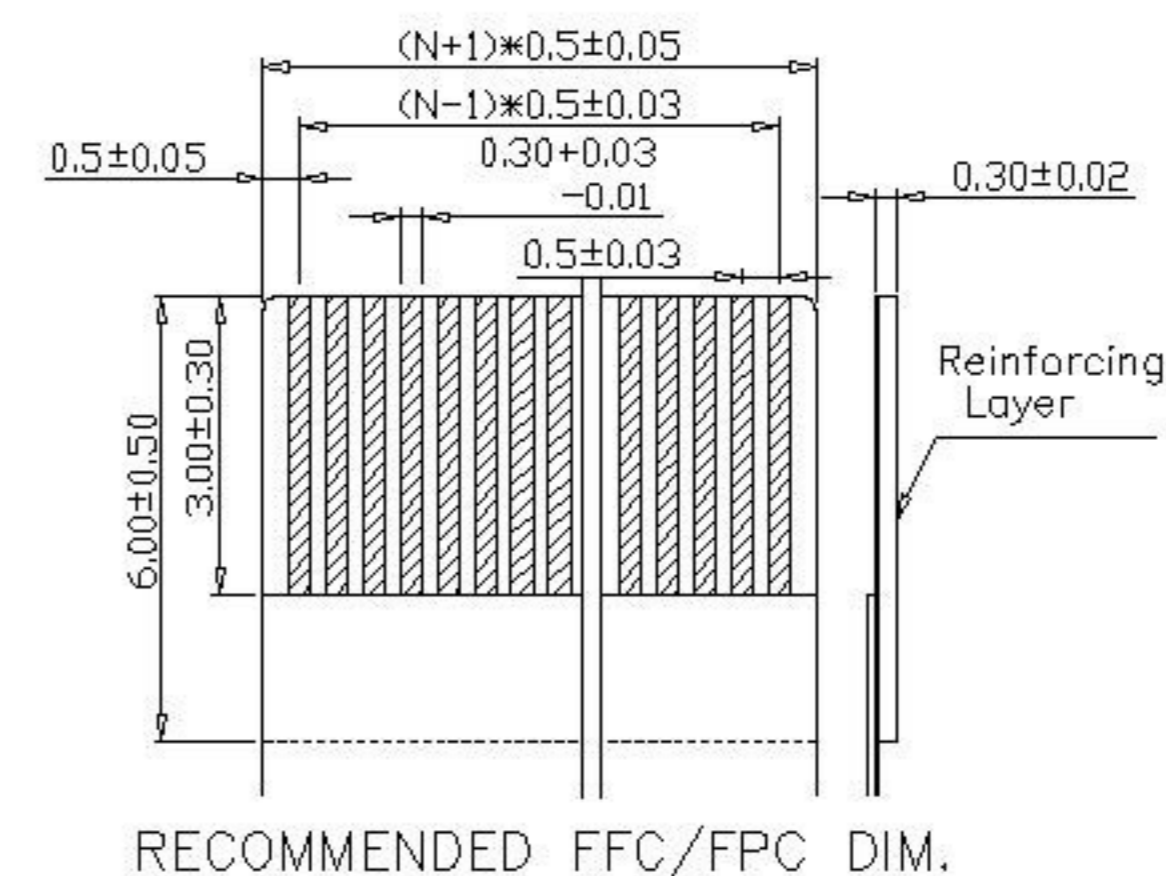


Electrical Characteristics:  
 Current rating: 0.4A AC/DC  
 Voltage rating: 50V AC/DC  
 Temperature range: -25°C~+85°C  
 Withstand Voltage: 500V AC/Minute  
 Contact Resistance:  $\leq 20m\Omega$   
 Insulation resistance:  $\geq 500M\Omega$   
 Relative Humidity: 93%+40°C

Material Description:  
 Terminal: Phosphor Bronze Tin-plated  
 Fitting Nail: Brass Tin-plated  
 Housing: Thermoplastic(UL94V-0)  
 Slider: Thermoplastic(UL94V-0)

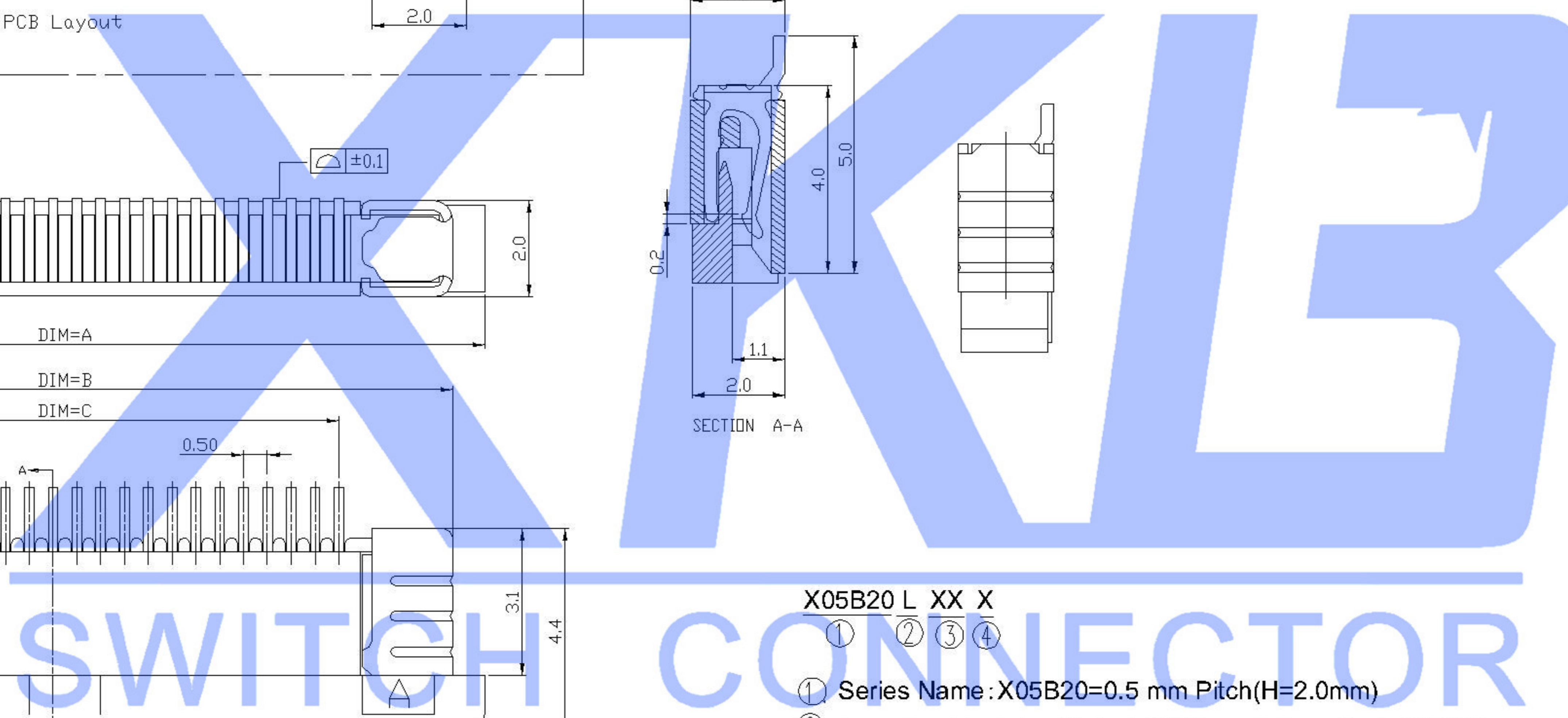


X05B20 L XX X

① ② ③ ④

- ① Series Name : X05B20=0.5 mm Pitch(H=2.0mm)
- ② Assembly style : L:Low Contact SMT Type U:Upper Contact SMT Type  
D:Double-Face Contact SMT Type H:Back-flip Double-Face Contact SMT Type
- ③ Number of terminals :XX=04-34PIN
- ④ Plating : G:Gold Flash Over Nickel T:Tin Over Nickel

Pin	DIM A	DIM B	DIM C	DIM D
34	22.60	21.60	16.50	17.65
33	22.10	21.10	16.00	17.15
32	21.60	20.60	15.50	16.65
31	21.10	20.10	15.00	16.15
30	20.60	19.60	14.50	15.65
29	20.10	19.10	14.00	15.15
28	19.60	18.60	13.50	14.65
27	19.10	18.10	13.00	14.15
26	18.60	17.60	12.50	13.65
25	18.10	17.10	12.00	13.15
24	17.60	16.60	11.50	12.65
23	17.10	16.10	11.00	12.15
22	16.60	15.60	10.50	11.65
21	16.10	15.10	10.00	11.15
20	15.60	14.60	9.50	10.65
19	15.10	14.10	9.00	10.15
18	14.60	13.60	8.50	9.65
17	14.10	13.10	8.00	9.15
16	13.60	12.60	7.50	8.65
15	13.10	12.10	7.00	8.15
14	12.60	11.60	6.50	7.65
13	12.10	11.10	6.00	7.15
12	11.60	10.60	5.50	6.65
11	11.10	10.10	5.00	6.15
10	10.60	9.60	4.50	5.65
09	10.10	9.10	4.00	5.15
08	9.60	8.60	3.50	4.65
07	9.10	8.10	3.00	4.15
06	8.60	7.60	2.50	3.65
05	8.10	7.10	2.00	3.15
04	7.60	6.60	1.50	2.65



△X						ANGLAR	±5°	DSND		DATE		SCALE: N/A	MODEL TYPE: FPC CONNECTOR	
△X						L ≤ 4	±0.2	DWN		DATE		VIEW:	PART NO.:	
△X						4 < L ≤ 16	±0.3	CHKD		DATE		UNIT: mm	DWG NO.:	
MARK	DESCRIPTION	DATE	REVISED	APPROVED		16 < L ≤ 63	±0.4	APPD		DATE		SIZE: A4	X05B20LXXX	
REVISIONS						L > 63	±0.5	UNSPECIFIED TOLERANCES			KXB INDUSTRIAL PRECISION CO.,LIMITED			
www.xk-dg.cn www.helloxkb.com www.helloxkb.cn												WEIGHT	SHEET	REVISION
												1.0g	1/1	A0

## X-ON Electronics

Largest Supplier of Electrical and Electronic Components

*Click to view similar products for [FFC & FPC Connectors](#) category:*

*Click to view products by [XKB](#) manufacturer:*

Other Similar products are found below :

[HFW11R-1STE1H1LF](#) [FH29B-100S-0.2SHW\(99\)](#) [FA5S008HP1](#) [FH29B-120S-0.2SHW\(99\)](#) [FH29B-80S-0.2SHW\(99\)](#) [FHS-16](#) [FPH-2022G](#)  
[52610-1075](#) [52610-1275](#) [52610-1934](#) [XF3M\(1\)-1415-1B-R100](#) [501864-3091-TR225](#) [0525594033](#) [086210010340800](#) [086222026001800](#)  
[52271-2869-CUT-TAPE](#) [62674-201121DLF](#) [62684-36210E9ALF](#) [52610-1675](#) [52746-1671-TR250](#) [10051922-2810EHLF](#) [6-520415-9](#)  
[BD021-09A-A1-0350-0200-0550-LD](#) [SFV6R-1STE9HLF](#) [XF3M-2915-1B-R100](#) [1658549-1](#) [62674-221121ALF](#) [46214008010800](#)  
[046298003000883](#) [151660622](#) [842-816-2630-035](#) [AYF530665TA](#) [AYF351525](#) [046296011930846+](#) [AYF352325A](#) [046254020000800+](#)  
[FH19C-13S-0.5SH\(99\)](#) [FH39J-51S-0.3SHW\(99\)](#) [AYF355125A](#) [AYF530365TA](#) [FH29B-44S-0.2SHW\(99\)](#) [SFW5R-2STAE9LF](#) [AYF351125A](#)  
[AYF350725A](#) [62684-502100AHLF](#) [FH39-61S-0.3SHW\(99\)](#) [AYF414035A](#) [10064555-172520HLF](#) [AYF212335A](#) [504754-2500](#)