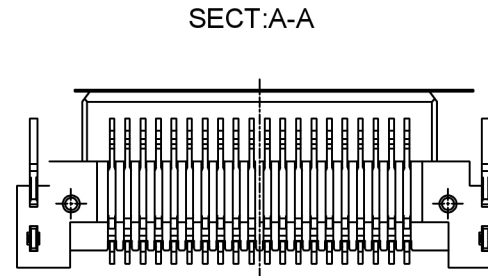
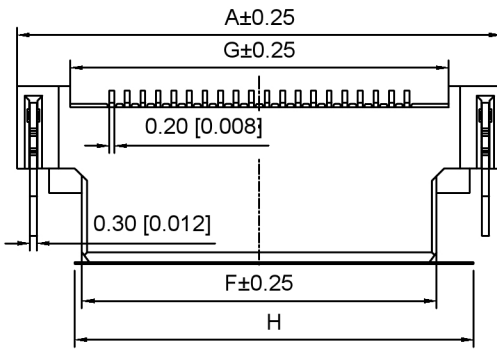
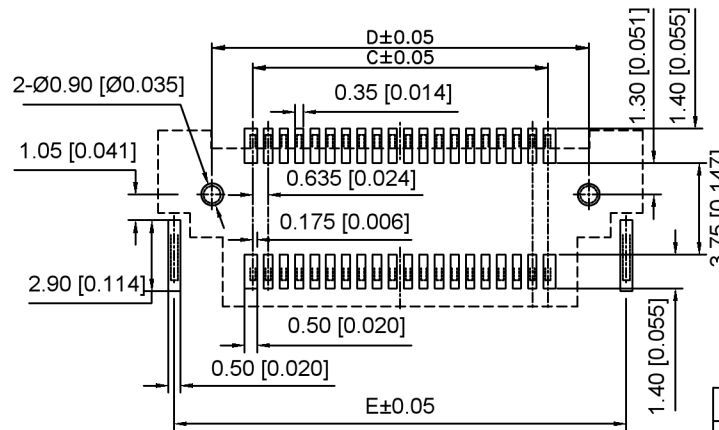
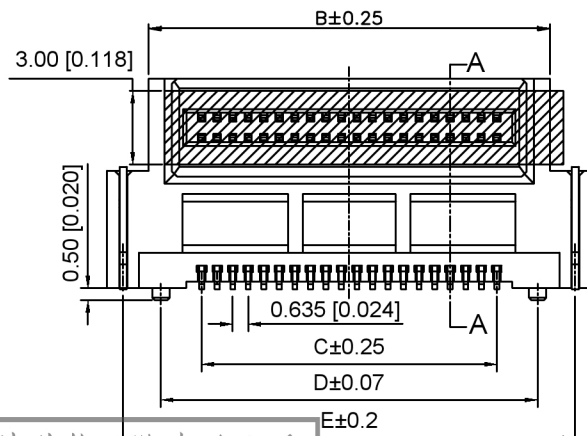


Specifications:  
 规格:  
 Voltage rating:50V AC/DC  
 额定电压: 50V AC/DC  
 Current rating:0.5A AC/DC  
 额定电流: 0.5A AC/DC  
 Withstanding voltage:200V AC/minute  
 耐受电压: 200V AC/分钟  
 Temperature range:-40℃~+105℃  
 温度范围: -40℃~+105℃  
 Insulation resistance:500MΩ Max  
 绝缘电阻: 500MΩ Max  
 Contact resistance:20mΩ Max  
 接触电阻: 20mΩ Max



X0635 F R S - XX X S- LP V01  
 ① ② ③ ④ ⑤ ⑥ ⑦ ⑧ ⑨

- 1.Series No
- 2.Category:F-Female
- 3.Welding Board Angle:R-Stright 90°
- 4.Welding Way:S-SMT
- 5.Row No.Pin No:XX-20~100P
- 6.Height:A=8.6mm
- 7.Special No:S-With positioning column
- 8.Material:LP-LCP UL94V-0
- 9.Plating:V01-Gold paltd 4u" MIN



Poles	Dimensions(mm)							
	A	B	C	D	E	F	G	H
20	13.450	10.050	5.715	9.050	12.130	8.150	9.120	9.900
30	16.625	13.225	8.890	12.225	15.305	11.325	12.295	13.100
40	19.800	16.400	12.065	15.400	18.480	14.500	15.470	16.300
50	22.975	19.575	15.240	18.575	21.655	17.675	18.645	19.500
60	26.150	22.750	18.415	21.750	24.830	20.850	21.820	22.700
70	29.325	25.925	21.590	24.925	28.005	24.025	24.995	25.900
80	32.500	29.100	24.765	28.100	31.180	27.200	28.170	29.100
90	35.675	32.275	27.940	31.275	34.355	30.375	31.345	32.300
100	38.850	35.450	31.115	34.450	37.530	33.550	34.520	35.500

X0635FRS-XXS-LPV01	LCP	Phosphor Bronze	X0635W
PART NO	Material	Material(Pin)	Suitable XK B Wafer

PCB LAYOUT

DSND	SCALE: N/A	MODEL TYPE: 0.635mm BTB Connector
DWN	VIEW:	PART NO.: X0635FRS-XXS-LPV01
CHKD	UNIT: mm/in	DWG NO.: X-X0635FRS-XXS-LPV01
APPD	SIZE: A4	WEIGHT
		SHEET
		REVISION
		1/1
		A0



XKB INDUSTRIAL PRECISION CO., LIMITED

ANGULAR	±5°
L ≤ 4	±0.2
4 < L ≤ 16	±0.3
16 < L ≤ 63	±0.4
L > 63	±0.5
UNSPECIFIED TOLERANCES	

广东星坤科技股份有限公司

DATE	DATE	DATE	DATE
DATE	DATE	DATE	DATE
DATE	DATE	DATE	DATE
DATE	DATE	DATE	DATE

文件工程章

REVISIONS  
 www.helloxkb.com www.helloxkb.cn www.xk-dg.cn

## X-ON Electronics

Largest Supplier of Electrical and Electronic Components

*Click to view similar products for [Board to Board & Mezzanine Connectors](#) category:*

*Click to view products by [XKB](#) manufacturer:*

Other Similar products are found below :

[589158040000018](#) [MDF7C-18P-2.54DSA\(55\)](#) [FCN-268F036-G/BD](#) [FCN-268M012-G/0D](#) [FCN-268M024-G/1D](#) [FCN-723J004/1](#) [MIS-048-01-F-D-DP-K](#) [832-10-034-10-001000](#) [FX4C-80S-1.27DSA](#) [93696-330](#) [224393](#) [FCN-235D050-G/C](#) [210-93-314-41-105000](#) [2-22603-0](#) [MDF7-40DP-2.54DSA\(55\)](#) [5031084030](#) [MIT-114-03-F-D-K](#) [55323-1519](#) [45970-4130](#) [YFT-20-05-H-03-SB-K](#) [503308-3040](#) [026-6203-PDB](#) [027-6203-PDB](#) [069159702701000](#) [101A10019X](#) [105061100000861+](#) [55650-0588-C](#) [75140-7012](#) [87471-650](#) [YTW-30-07-H-Q-410-140](#) [YTT-112-01-H-Q](#) [063209](#) [0717420006](#) [FCN-268F024-G0D](#) [10124054-515LF](#) [68685-603](#) [8-1616154-3](#) [MIS-019-01-F-D](#) [IL-WX-10PB-HF-B-E1000E](#) [YFT-50-05-H-10-SB-K](#) [FCN-268M024-G/3D](#) [MDF7-16DP-2.54DSA\(55\)](#) [AXE810124](#) [FCN-214J100-G/0](#) [FCN-230C068-E/S](#) [AXE812124](#) [74220-001](#) [354184](#) [P50-028-DDS-TG](#) [53309-2471](#)