

REVISIONS  
 (Authorized Signature(s))

MARK	DESCRIPTION	DATE	REVISED	APPROVED	UNSPECIFIED TOLERANCES
△ X					L > 63 ± 0.5
△ X					16 < L ≤ 63 ± 0.4
△ X					4 < L ≤ 16 ± 0.3
					L ≤ 4 ± 0.2
					ANGULAR ± 5°

For and on behalf of  
**KXB INDUSTRIAL PRECISION CO., LIMITED**  
 香港星坤工業精密有限公司

**KXB INDUSTRIAL PRECISION CO., LIMITED**

WEIGHT	1.0g
SHEET	1/1
REVISION	A0

MODEL TYPE:	SCALE: N/A	DATE		DATE	
PART NO.:	VIEW:	DATE		DATE	
DWG NO.:	UNIT: mm	DATE		DATE	
	SIZE: A4	DATE		DATE	

PART NO	Material	Material(Pin)	Finish(Pin)	Material (Solder Tabs)	Finish (Solder Tabs)
X0800WVS-XXHF-LPV01	LCP UL 94V-0	Phosphor Bronze	Tin-Plated	Phosphor Bronze	Tin-Plated
X0800WVS-XXHF-LPSN				Gold-Flash	Gold-Flash

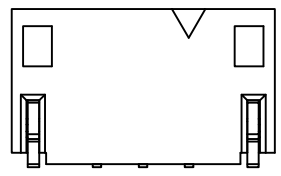
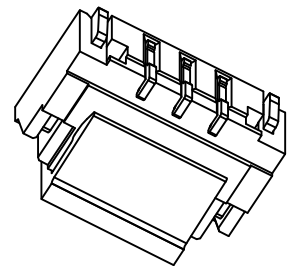
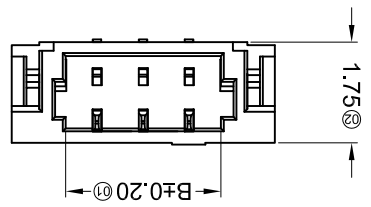
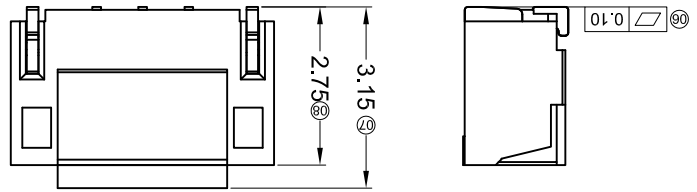
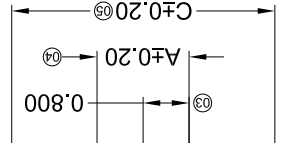
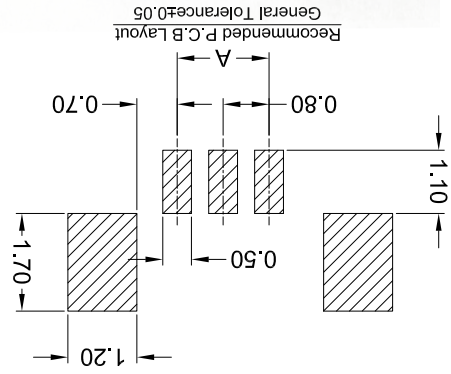
Poles	Dimensions (mm)		
	A	B	C
02	0.80	1.90	3.78
03	1.60	2.70	4.58
04	2.40	3.50	5.38
05	3.20	4.30	6.18
06	4.00	5.10	6.98
07	4.80	5.90	7.78
08	5.60	6.70	8.58
09	6.40	7.50	9.38
10	7.20	8.30	10.18
11	8.00	9.10	10.98

Poles	Dimensions (mm)		
	A	B	C
02	8.80	9.90	11.78
03	9.60	10.70	12.58
04	10.40	11.50	13.38
05	11.20	12.30	14.18
06	12.00	13.10	14.98
07	12.80	13.90	15.78
08	13.60	14.70	16.58
09	14.40	15.50	17.38
10	15.20	16.30	18.18

- ① Series No
  - ② Category: W-WAFER
  - ③ Welding Board Angle: V-180°
  - ④ Welding Way: S-SMT
  - ⑤ Row No.-Pin No.: XX-Single Row
  - ⑥ Special No.: HF-Halogen Free
  - ⑦ Material: LP-LCP 94V-0
  - ⑧ Plating Category: V01-All Gold Flash
  - ⑨ Color: Blank-Natural Color
- ⑩ SN-Bright Tin Plating

X0800 W V S-XX HF-LP XX XX

- Specifications :
- Voltage rating: 30V AC / DC
  - Current rating: 0.5A AC / DC
  - Withstanding voltage: 200V AC/minute
  - Temperature range: -25°C~+85°C
  - Insulation resistance: ≥100MΩ
  - Contact resistance: ≤20mΩ
  - After environmental testing: ≤40mΩ



For and on behalf of  
**KXB INDUSTRIAL PRECISION CO., LIMITED**  
 香港星坤工業精密有限公司

Revisions (Authorized Signatures)

MARK	DESCRIPTION	DATE	REVISED	APPROVED	UNSPECIFIED TOLERANCES
△ X					±0.5
△ X					16 < L ≤ 63
△ X					L > 63

REVISION	SHEET	WEIGHT	1.0g	1/1	AO
<b>KXB INDUSTRIAL PRECISION CO., LIMITED</b>					

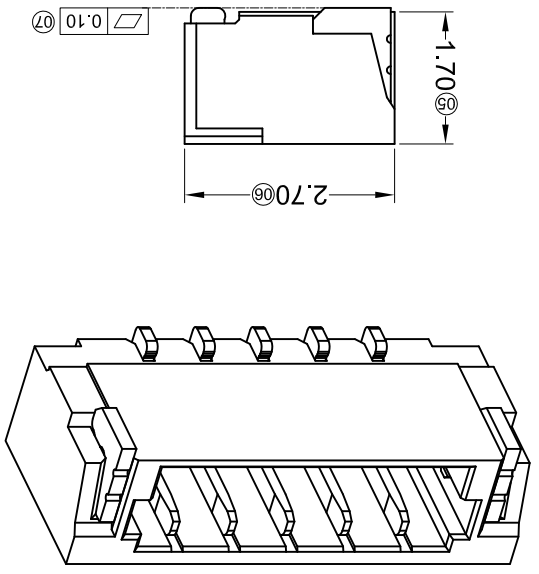
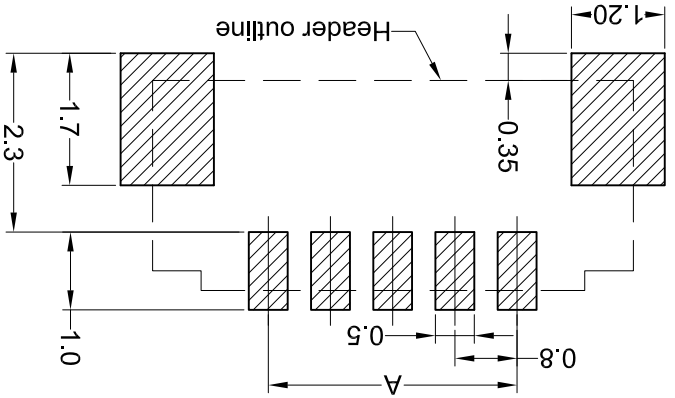
DSND	DATE	SCALE: N/A	MODEL TYPE:

DWN	DATE	VIEW:	PART NO.:

CHKD	DATE	UNIT: mm	DWG NO.:

APPD	DATE	SIZE: A4	REVISION

Recommended P.C.B Layout  
 General Tolerance±0.05



Poles	Dimensions(mm)		
	A	B	C
02	0.80	1.90	3.78
03	1.60	2.70	4.58
04	2.40	3.50	5.38
05	3.20	4.30	6.18
06	4.00	5.10	6.98
07	4.80	5.90	7.78
08	5.60	6.70	8.58
09	6.40	7.50	9.38
10	7.20	8.30	10.18
11	8.00	9.10	10.98

- ① Series No.
- ② Category: W-water
- ③ Welding Board Angle:R-90°
- ④ Welding Way:S-SMT
- ⑤ Row No.-Pin No.:XX-Single row
- ⑥ Plug the Pin & Special NO.: HF-Halogen free
- ⑦ Material: LP-LCP 94V-0; 6T-PA6T 94V-0
- ⑧ Plating Category: V01:All Gold-Flash; SN-Bright tin plating
- ⑨ Color: Blank-natural color; BK-black

- Specifications:**
- Voltage rating: 30V AC / DC
  - Current rating: 0.5A AC / DC
  - Withstanding voltage: 200V AC/minute
  - Temperature range: -25°C~+85°C
  - Insulation resistance:≥100MΩ
  - Contact resistance: ≤20mΩ
  - After environmental testing: ≤30mΩ

PART NO	Material	Material(Pin)	Finish(Pin)	Material (Solder Tabs)	Finish (Solder Tabs)	Suitable XKB Terminal
X0800WRS-XXHF-6TV01BK	(Halogen-free)	Phosphor Bronze	Gold-Flash	Brass	Gold-Flash	0800H
X0800WRS-XXHF-6TV01	(Halogen-free)	Phosphor Bronze	Gold-Flash	Brass	Gold-Flash	
X0800WRS-XXHF-LPV01	Halogen-free	Phosphor Bronze	Gold-Flash	Brass	Tin-Plated	
X0800WRS-XXHF-LPSN	Halogen-free	Phosphor Bronze	Gold-Flash	Brass	Tin-Plated	
X0800WRS-XXHF-LPV01	Halogen-free	Phosphor Bronze	Gold-Flash	Brass	Gold-Flash	

*For and on behalf of*  
**XKB INDUSTRIAL PRECISION CO., LIMITED**  
 香港星坤工業精密有限公司

*Authorized Signature(s)*

MARK	DESCRIPTION	DATE	REVISED	APPROVED	UNSPECIFIED TOLERANCES
△ X					L > 63 ±0.5
△ X					16 < L ≤ 63 ±0.4
△ X					4 < L ≤ 16 ±0.3
					L ≤ 4 ±0.2
					ANGULAR ±5°

REVISION	SHEET	WEIGHT	DATE	DATE	DATE	DATE	DATE
A0	1/1	1.0g					

**XKB INDUSTRIAL PRECISION CO., LIMITED**

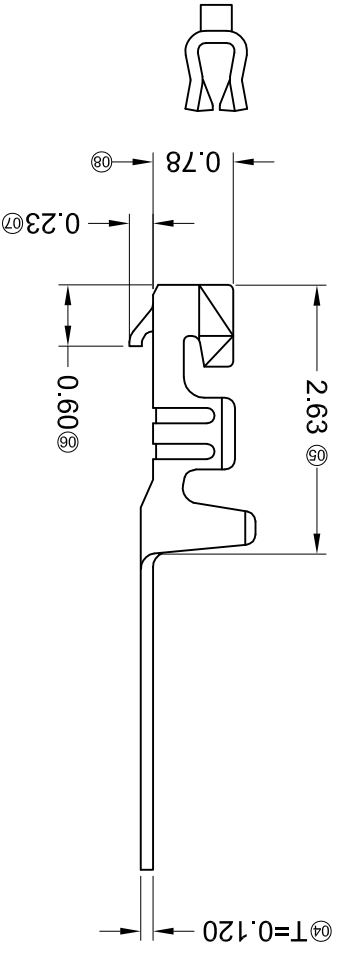
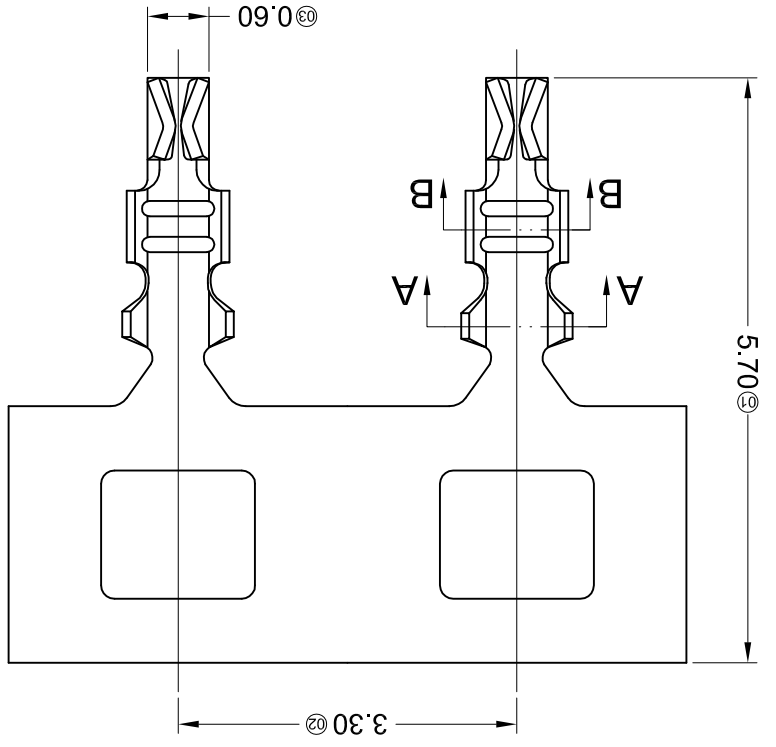
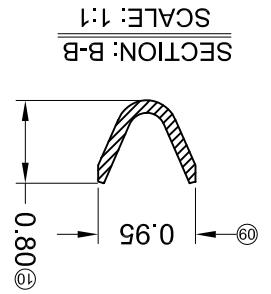
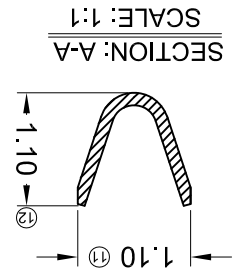
DSND	DATE	SCALE: N/A	MODEL TYPE:

DWN	DATE	VIEW:	PART NO.:

CHKD	DATE	UNIT: mm	DWG NO.:
			0.80 mm Crimp Style Connectors

APPD	DATE	SIZE: A4

PART NO	Material	Wire Range	Insulation O.D.	Suitable XKB Terminal
X0800T-P-SN	Phosphor Bronze	AWG#32	0.60mm(Max)	Suitable XKB Terminal
			Stamping Before Plating: 30u" Min Ni; 70u" Sn Min	0800H



① Series Number  
 ② Category: T-terminal  
 ③ Shape: Blank-ordinary  
 ④ Material: P-Phosphor bronze  
 ⑤ Plating style: SN-Bright tin plating  
 ⑥ Plating method:  
 Blank-Stamping before plating  
 ⑦ Mold No./Mark/Special No.

- Specifications :
- Voltage rating: 125V AC / DC
  - Current rating: 1A AC / DC
  - Withstanding voltage: 250V AC/minute
  - Temperature range: -25°C~+85°C
  - Insulation resistance: ≥100MΩ
  - Contact resistance: ≤20mΩ
  - After environmental testing: ≤40mΩ

X0800 T X-P SN X-X  
 ① ② ③ ④ ⑤ ⑥ ⑦

For and on behalf of  
**KKB INDUSTRIAL PRECISION CO., LIMITED**  
 香港星坤工業精密有限公司

REVISIONS  
 Authorized Signature(s)

MARK	DESCRIPTION	DATE	REVISED	APPROVED	UNSPECIFIED TOLERANCES
△ X					L > 63 ±0.5
△ X					16 < L ≤ 63 ±0.4
△ X					4 < L ≤ 16 ±0.3
					L ≤ 4 ±0.2
					ANGULAR ±5°

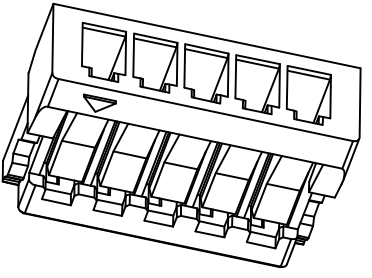
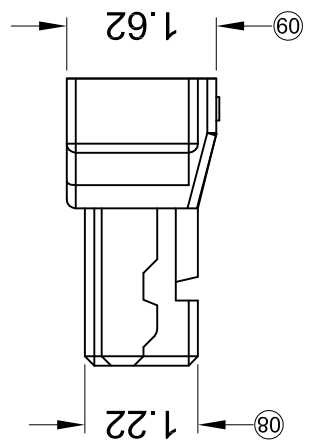
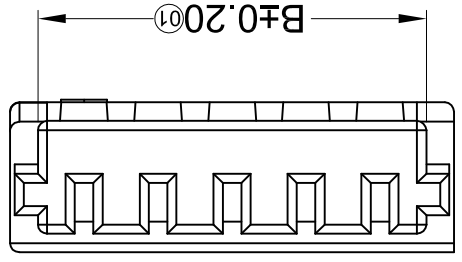
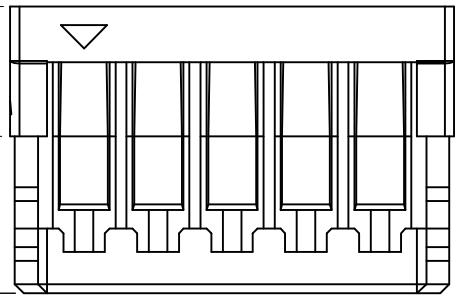
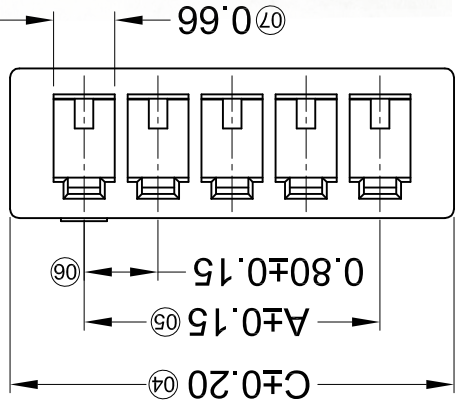
REVISION	SHEET	WEIGHT	1.0g	8
A0	1/1			

DATE	SCALE: N/A	MODEL TYPE:	DSND	DATE

DATE	VIEW:	PART NO.:	DWN	DATE

DATE	UNIT: mm	DWG NO.:	CHKD	DATE

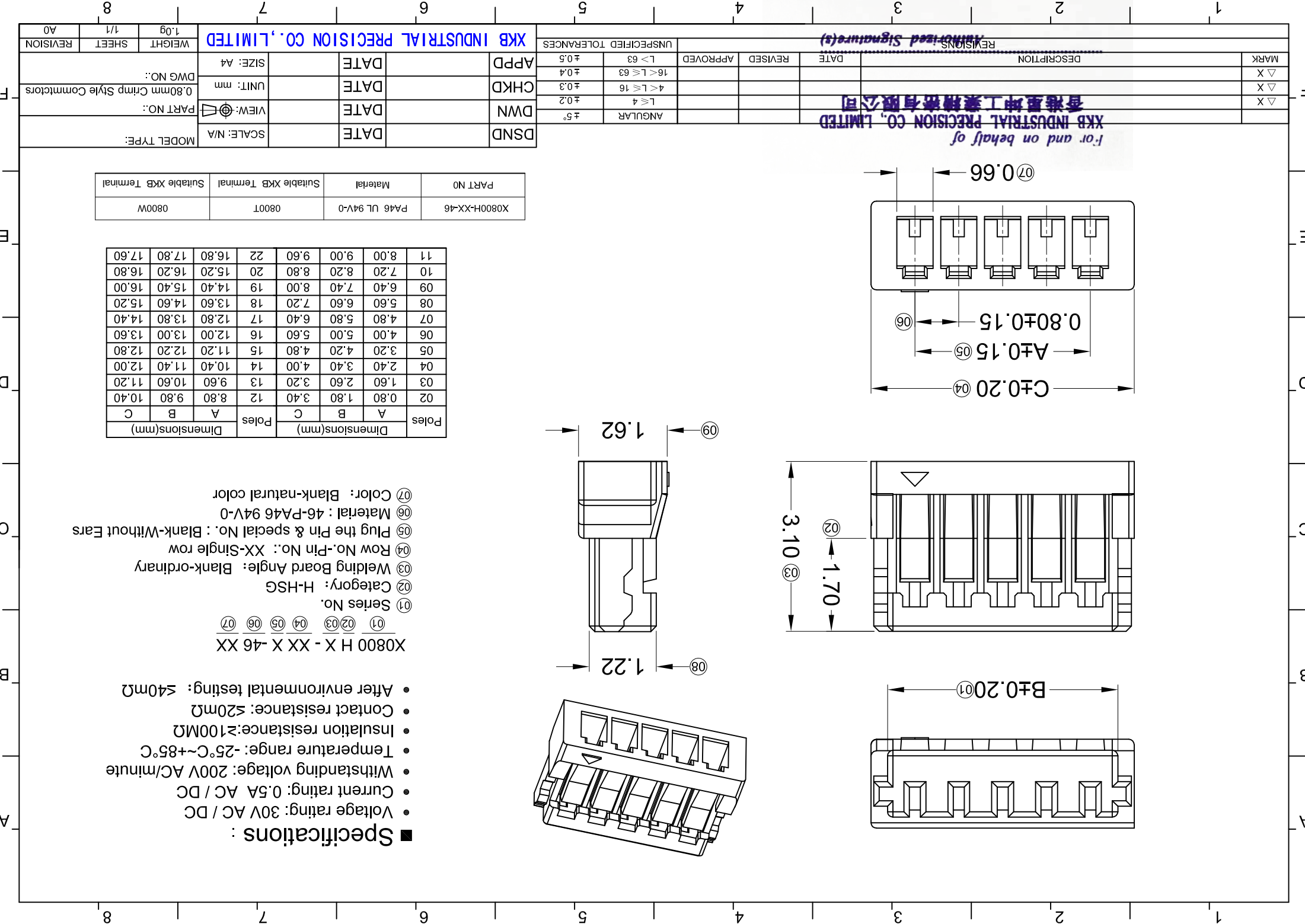
DATE	SIZE: A4	APPD	DATE



PART NO	Material	Suitable XKB Terminal	Suitable XKB Terminal
X0800H-XX-46	P446 UL 94V-0	0800T	0800W

Poles	Dimensions(mm)		
	A	B	C
02	0.80	1.80	3.40
03	1.60	2.60	3.20
04	2.40	3.40	4.00
05	3.20	4.20	4.80
06	4.00	5.00	5.60
07	4.80	5.80	6.40
08	5.60	6.60	7.20
09	6.40	7.40	8.00
10	7.20	8.20	8.80
11	8.00	9.00	9.60

- Specifications:**
- Voltage rating: 30V AC / DC
  - Current rating: 0.5A AC / DC
  - Withstanding voltage: 200V AC/minute
  - Temperature range: -25°C~+85°C
  - Insulation resistance: ≥100MΩ
  - Contact resistance: ≤20mΩ
  - After environmental testing: ≤40mΩ
- ① Series No.  
 ② Category: H-HSG  
 ③ Welding Board Angle: Blank-ordinary  
 ④ Row No.-Pin No.: XX-Single row  
 ⑤ Plug the Pin & special No.: Blank-Without Ears  
 ⑥ Material: 46-P446 94V-0  
 ⑦ Color: Blank-natural color
- X0800 H X - XX X -46 XX



For and on behalf of  
**KKB INDUSTRIAL PRECISION CO., LIMITED**  
 香港星坤工業精密有限公司  
 REVISIONS  
 UNAUTHORIZED SIGNATURE(S)

MARK	DESCRIPTION	DATE	REVISED	APPROVED	UNSPECIFIED TOLERANCES
△ X					L > 63 ±0.5
△ X					16 < L ≤ 63 ±0.4
△ X					4 < L ≤ 16 ±0.3
					L ≤ 4 ±0.2
					ANGULAR ±5°

REVISION	SHEET	WEIGHT	1.0g	8
A0	1/1			

DATE	SCALE: N/A	MODEL TYPE:	DSND	DATE

DATE	VIEW:	VIEW:	DWN	DATE

DATE	UNIT: mm	CHKD	DATE

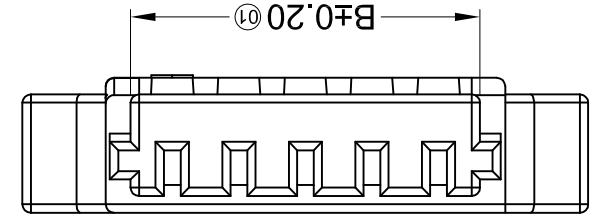
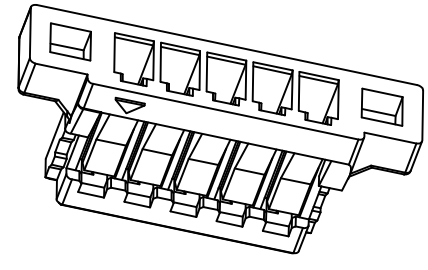
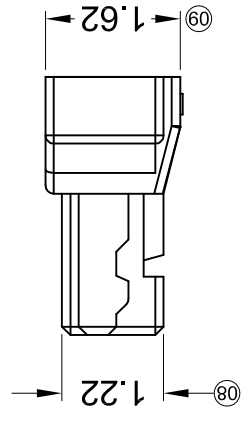
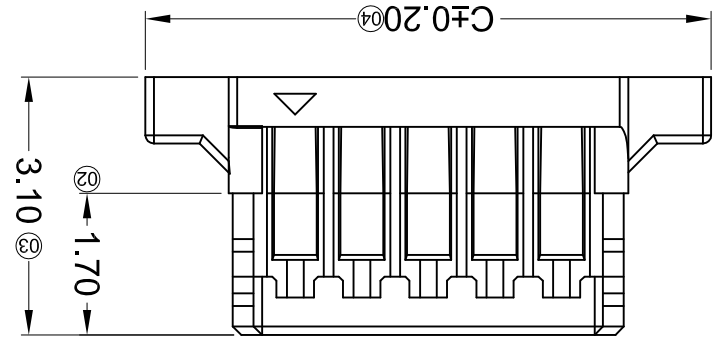
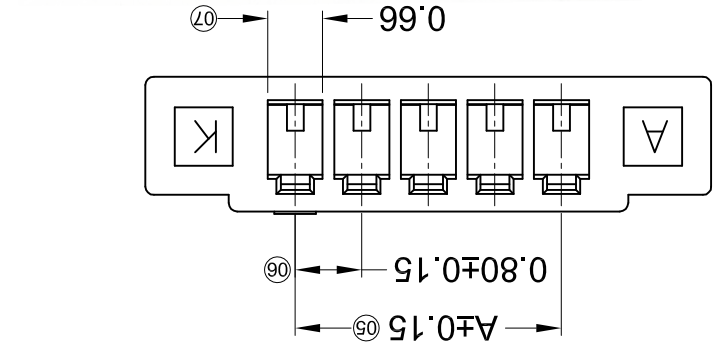
DATE	SIZE: A4	APPD	DATE

PART NO.:  
 0.80mm Crimp Style Connectors  
 DWG NO.:

**KKB INDUSTRIAL PRECISION CO., LIMITED**

PART NO	Material	Suitable XKB Terminal	Suitable XKB Terminal
X0800H-XXE-46	PA46 UL 94V-0	0800T	Suitable XKB Terminal
0800W			

Poles	Dimensions(mm)			Poles	Dimensions(mm)		
	A	B	C		A	B	C
02	0.80	1.80	4.40	12	8.80	9.80	12.40
03	1.60	2.60	5.20	13	9.60	10.60	13.20
04	2.40	3.40	6.00	14	10.40	11.40	14.00
05	3.20	4.20	6.80	15	11.20	12.20	14.80
06	4.00	5.00	7.60	16	12.00	13.00	15.60
07	4.80	5.80	8.40	17	12.80	13.80	16.40
08	5.60	6.60	9.20	18	13.60	14.60	17.20
09	6.40	7.40	10.00	19	14.40	15.40	18.00
10	7.20	8.20	10.80	20	15.20	16.20	18.80
11	8.00	9.00	11.60	22	16.80	17.80	19.60



- Specifications :**
- Voltage rating: 30V AC / DC
  - Current rating: 0.5A AC / DC
  - Withstanding voltage: 200V AC/minute
  - Temperature range: -25°C~+85°C
  - Insulation resistance: ≥100MΩ
  - Contact resistance: ≤20mΩ
  - After environmental testing: ≤40mΩ
- ① Series No.  
 ② Category: H-HSG  
 ③ Welding Board Angle: Blank-ordinary  
 ④ Row No.-Pin No.: XX-Single row  
 ⑤ Plug the Pin & special No. E-With Ears  
 ⑥ Material : 46-PA46 94V-0  
 ⑦ Color : Blank-natural color
- X0800 H X - XX E -46 XX**  
① ② ③ ④ ⑤ ⑥ ⑦

For and on behalf of  
**KXB INDUSTRIAL PRECISION CO., LIMITED**  
 香港星坤工業精密有限公司

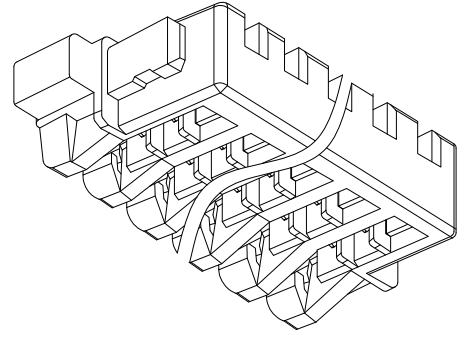
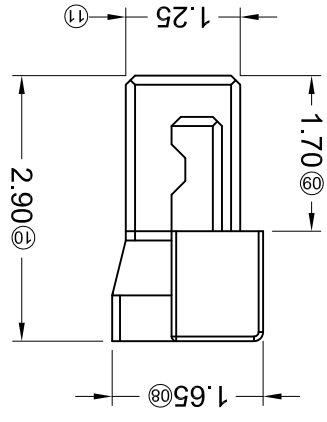
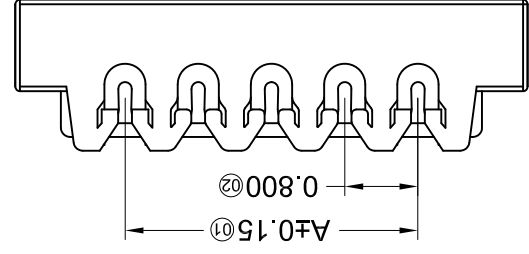
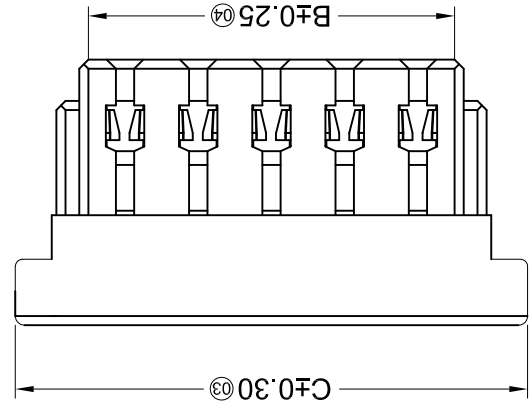
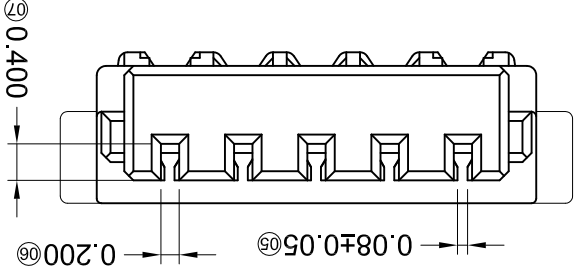
REVISIONS  
 Authorized Signatures(s)

MARK	DESCRIPTION	DATE	REVISED	APPROVED	UNSPECIFIED TOLERANCES
△ X					L > 63 ± 0.5
△ X					16 < L ≤ 63 ± 0.4
△ X					4 < L ≤ 16 ± 0.3
△ X					L ≤ 4 ± 0.2
					ANGULAR ± 5°

REVISION	SHEET	WEIGHT	SIZE	DATE	DATE	DATE	DATE	DATE
A0	1/1	1.0g	A4					

**KXB INDUSTRIAL PRECISION CO., LIMITED**

MODEL TYPE:	SCALE: N/A	DATE	DNSD
PART NO.:	VIEW:	DATE	DWN
DWG NO.:	UNIT: mm	DATE	CHKD
0.80mm IDC Style Connectors			APPD



PART NO	Material	Wire Range	Insulation O.D.	Material(Terminal)	Finish(Terminal)	Suitable(XB Terminal)
X0800H-I-XXEG-N0HF	PA66 UL 94V-0 Halogen Free	AWG#32-34	0.38mm(Max)	Phosphor Bronze	Gold-Flash	0800W

Poles	Dimensions(mm)		
	A	B	C
02	0.80	1.78	3.20
03	1.60	2.58	4.00
04	2.40	3.38	4.80
05	3.20	4.18	5.60
06	4.00	4.98	6.40
07	4.80	5.78	7.20
08	5.60	6.58	8.00
09	6.40	7.38	8.80
10	7.20	8.18	9.60
11	8.00	8.98	10.40
12	8.80	9.78	11.20
13	9.60	10.58	12.00
14	10.40	11.38	12.80
15	11.20	12.18	13.60
16	12.00	12.98	14.40
17	12.80	13.78	15.20
18	13.60	14.58	16.00
19	14.40	15.38	16.80
20	15.20	16.18	17.60
22	16.80	17.78	19.20

- X0800 H I - XX E G - N0 HF
- ① Series No.
  - ② Category: H-HSG
  - ③ Welding Board Angle: LHSG+hardware
  - ④ Row No.-Pin No.: XX-Single row
  - ⑤ Plug the Pin & special No.
  - ⑥ E-Ear Clip: G-Gold Plating
  - ⑦ Material: N0-PA66 94V-0;
  - ⑧ HF-Halogen free

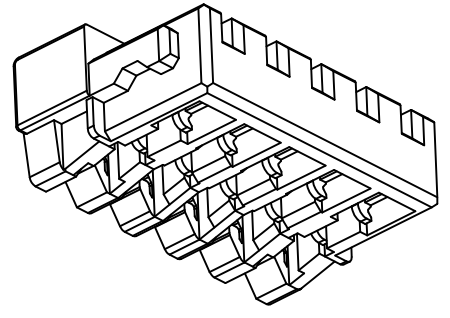
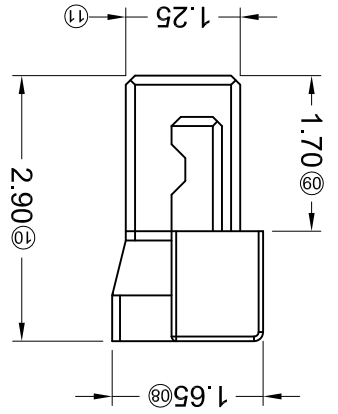
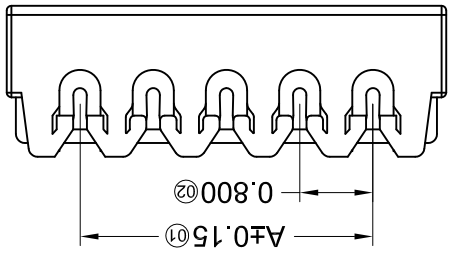
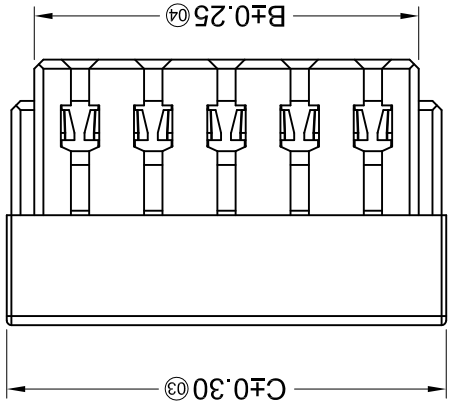
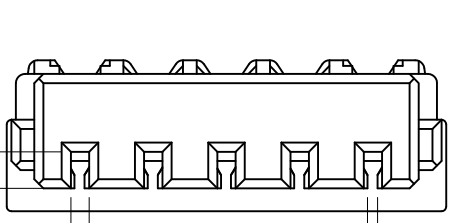
- Specifications :
- Voltage rating: 30V AC / DC
  - Current rating: 0.5A AC / DC
  - Withstanding voltage: 200V AC/minute
  - Temperature range: -25°C~+85°C
  - Insulation resistance: ≥100MΩ
  - Contact resistance: ≤20mΩ
  - After environmental testing: ≤30mΩ

For and on behalf of  
**KXB INDUSTRIAL PRECISION CO., LIMITED**  
 香港星洲工業精密有限公司

MARK	DESCRIPTION	DATE	REVISID	APPROVED	UNSPECIFIED TOLERANCES
△ X					L > 63 ±0.5
△ X					16 < L ≤ 63 ±0.4
△ X					4 < L ≤ 16 ±0.3
					L ≤ 4 ±0.2
					ANGULAR ±5°

REVISION	SHEET	WEIGHT	1.0g	8
A0	1/1			

DSND	DATE	SCALE: N/A	MODEL TYPE:
DWN <th>DATE</th> <th>VIEW: </th> <th>PART NO.: 0.80mm IDC Style Connectors</th>	DATE	VIEW:	PART NO.: 0.80mm IDC Style Connectors
CHKD <th>DATE</th> <th>UNIT: mm</th> <th>DWG NO.:</th>	DATE	UNIT: mm	DWG NO.:
APPD <th>DATE</th> <th>SIZE: A4</th> <th></th>	DATE	SIZE: A4	



PART NO	Material	Wire Range	Insulation O.C.	Material(Terminal)	Fishh(Terminal)	Suitable XKB Terminal
X0800H-XX-N0HF	PA66 UL 94V-0 Halogen Free	AWG#32-36	0.39mm(Max)	Phosphor Bronze	Gold-Finish	0800W
X0800H-XX-N0HF	PA66 UL 94V-0 Halogen Free	AWG#32-36	0.39mm(Max)	Phosphor Bronze	Tin-Plated	0800W

Poles	Dimensions(mm)		
	A	B	C
02	0.80	1.78	2.40
03	1.60	2.58	3.20
04	2.40	3.38	4.00
05	3.20	4.18	4.80
06	4.00	4.98	5.60
07	4.80	5.78	6.40
08	5.60	6.58	7.20
09	6.40	7.38	8.00
10	7.20	8.18	8.80
11	8.00	8.98	9.60
12	8.80	9.78	10.40
13	9.60	10.58	11.20
14	10.40	11.38	12.00
15	11.20	12.18	12.80
16	12.00	12.98	13.60
17	12.80	13.78	14.40
18	13.60	14.58	15.20
19	14.40	15.38	16.00
20	15.20	16.18	16.80
22	16.80	17.78	18.40

- Specifications :**
- Voltage rating: 30V AC / DC
  - Current rating: 0.5A AC / DC
  - Withstanding voltage: 200V AC/minute
  - Temperature range: -25°C~+85°C
  - Insulation resistance: ≥100MΩ
  - Contact resistance: ≤20mΩ
  - After environmental testing: ≤40mΩ
- X0800 H I - XX X - NO HF  
 ① Series No.  
 ② Category: H-HSG  
 ③ Welding Board Angle: L-HSG+hardware  
 ④ Row No.-Pin No.: XX-Single row  
 ⑤ Plug the Pin & special No. G-Gold Plating  
 ⑥ Material: NO-PA66 94V-0  
 ⑦ HF-Halogen free

## X-ON Electronics

Largest Supplier of Electrical and Electronic Components

*Click to view similar products for [Headers & Wire Housings](#) category:*

*Click to view products by [XKB](#) manufacturer:*

Other Similar products are found below :

[95000-104TRLF](#) [10135584-644402LF](#) [DF62W-EP2022PCA](#) [95000-106TRLF](#) [DF62W-2022SCA](#) [DF62W-EP2022PC](#) [2203348](#) [DF62W-2022SC](#) [1084018](#) [1029039](#) [1084017](#) [802-10-012-10-002000](#) [1112640](#) [1112639](#) [891-007-9SS-BST1T](#) [000-34000](#) [0008550134](#) [0009482033](#) [0009507031](#) [57102-F02-18ULF](#) [57102-S06-03LF](#) [57202-S52-04LF](#) [PCN6-15S-2.5E](#) [0039019024](#) [58102-G61-06LF](#) [582553-1](#) [0009485154](#) [0009508121](#) [0022285053](#) [0050291907](#) [018731A](#) [LY20-4P-DT1-P1E-BR](#) [02.125.8002.8](#) [60101931](#) [60598-1 \(Cut Strip\)](#) [M1625-3R/100](#) [61062-3](#) [61082-181009](#) [CSU011177004](#) [636-1427](#) [638009-1](#) [641938-9](#) [641991-4](#) [644168-1](#) [644827-2](#) [647662-1](#) [65039-019ELF](#) [65692-001LF](#) [65781-018](#) [65781-047](#)