

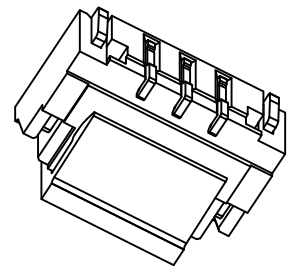
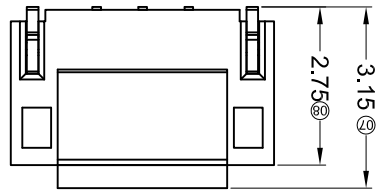
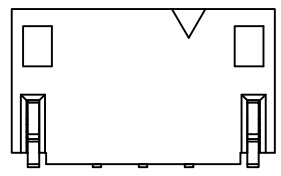
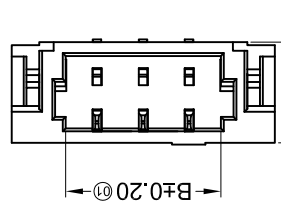
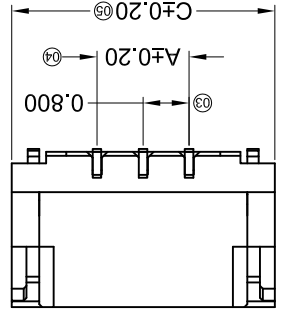
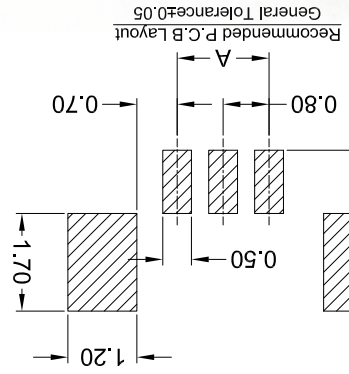
REVISIONS
Authorized Signature(s)

MARK	DESCRIPTION	DATE	REVISED	APPROVED	UNSPECIFIED TOLERANCES
△ X					L > 63 ± 0.5
△ X					16 < L ≤ 63 ± 0.4
△ X					4 < L ≤ 16 ± 0.3
					L ≤ 4 ± 0.2
					ANGULAR ± 5°

For and on behalf of
KKB INDUSTRIAL PRECISION CO., LIMITED
香港星坤工業精密有限公司

KKB INDUSTRIAL PRECISION CO., LIMITED

MODEL TYPE:	SCALE: N/A	DATE	DATE	DATE	DATE
PART NO.:	VIEW:	UNIT: mm	DATE	DATE	DATE
DWG NO.:	SIZE: A4				
REVISION	SHEET	WEIGHT	1.0g		
A0	1/1				



PART NO	Material	Material(Pin)	Finish(Pin)	Material (Solder Tabs)	Finish (Solder Tabs)
X0800WVS-XXHF-LPV01	LCP UL 94V-0	Phosphor Bronze	Tin-Plated	Phosphor Bronze	Tin-Plated
X0800WVS-XXHF-LPSN				Gold-Flash	Gold-Flash

Poles	Dimensions (mm)		
	A	B	C
02	0.80	1.90	3.78
03	1.60	2.70	4.58
04	2.40	3.50	5.38
05	3.20	4.30	6.18
06	4.00	5.10	6.98
07	4.80	5.90	7.78
08	5.60	6.70	8.58
09	6.40	7.50	9.38
10	7.20	8.30	10.18
11	8.00	9.10	10.98

- ① Series No
- ② Category: W-WAFER
- ③ Welding Board Angle: V-180°
- ④ Welding Way: S-SMT
- ⑤ Row No.-Pin No.: XX-Single Row
- ⑥ Special No.: HF-Halogen Free
- ⑦ Material: LP-LCP 94V-0
- ⑧ Plating Category: V01-All Gold Flash
- ⑨ Color: Blank-Natural Color

X0800 W V S-XX HF-LP XX XX

- Specifications :
- Voltage rating: 30V AC / DC
 - Current rating: 0.5A AC / DC
 - Withstanding voltage: 200V AC/minute
 - Temperature range: -25°C~+85°C
 - Insulation resistance: ≥100MΩ
 - Contact resistance: ≤20mΩ
 - After environmental testing: ≤40mΩ

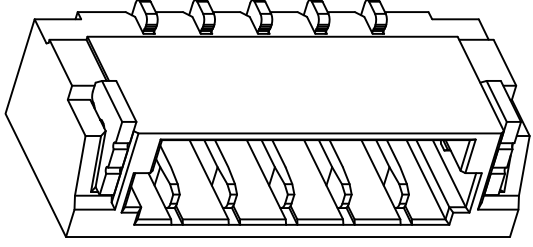
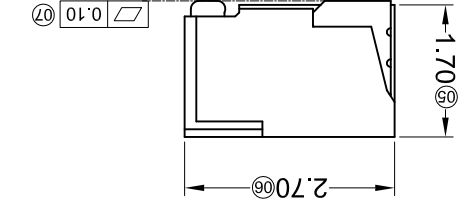
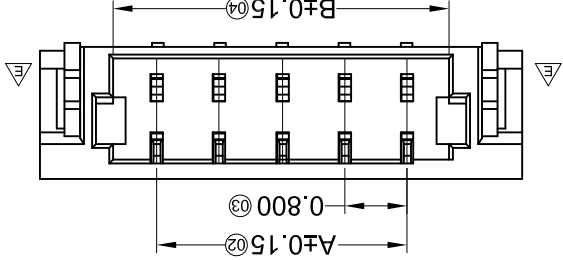
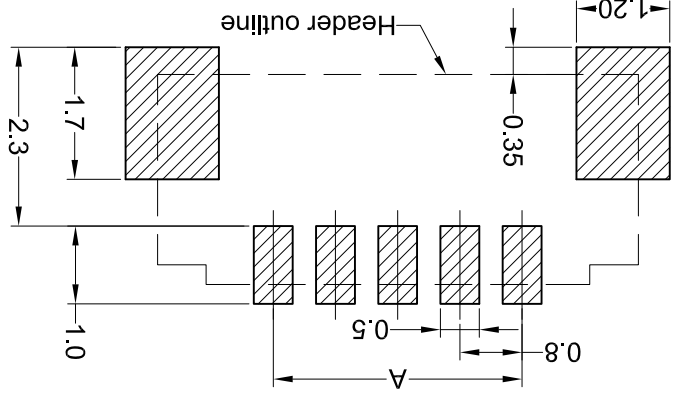
For and on behalf of
KXB INDUSTRIAL PRECISION CO., LIMITED
 香港星坤工業精密有限公司

MARK	DESCRIPTION	DATE	REVISED	APPROVED	UNSPECIFIED TOLERANCES
△ X					$L > \leq 63$
△ X					$16 < L \leq 63$
△ X					$4 < L \leq 16$
△ X					$L \leq 4$
					ANGULAR
					$\pm 5^\circ$

KXB INDUSTRIAL PRECISION CO., LIMITED

REVISION	SHEET	WEIGHT
A0	1/1	1.0g

Recommended P.C.B Layout
 General Tolerance ± 0.05



PART NO	Material	Material(Pin)	Finish(Pin)	Material (Solder Tabs)	Finish (Solder Tabs)	Suitable XKB Terminal
X0800WRS-XXHF-6TV01BK (Halogen-free)	Phosphor Bronze	Tin-Plated	Gold-Flash	Brass	Gold-Flash	0800H
X0800WRS-XXHF-6TV01 (Halogen-free)	Phosphor Bronze	Tin-Plated	Gold-Flash		Tin-Plated	
X0800WRS-XXHF-LPV01	LCP UL 94V-0	Halogen-free	Gold-Flash		Gold-Flash	
X0800WRS-XXHF-LPSN	LCP UL 94V-0	Halogen-free	Gold-Flash		Gold-Flash	

Poles	Dimensions(mm)		
	A	B	C
02	0.80	1.90	3.78
03	1.60	2.70	4.58
04	2.40	3.50	5.38
05	3.20	4.30	6.18
06	4.00	5.10	6.98
07	4.80	5.90	7.78
08	5.60	6.70	8.58
09	6.40	7.50	9.38
10	7.20	8.30	10.18
11	8.00	9.10	10.98

- ① Series No.
- ② Category: W-water
- ③ Welding Board Angle: R-90°
- ④ Welding Way: S-SMT
- ⑤ Row No.-Pin No. XX-XX-Single row
- ⑥ Plug the Pin & Special NO.: HF-Halogen free
- ⑦ Material: LP-LCP 94V-0; 6T-PA6T 94V-0
- ⑧ Plating Category: V01: All Gold-Flash; SN-Bright tin plating
- ⑨ Color: Blank-natural color; BK-black

- Specifications:**
- Voltage rating: 30V AC / DC
 - Current rating: 0.5A AC / DC
 - Withstanding voltage: 200V AC/minute
 - Temperature range: -25°C~+85°C
 - Insulation resistance: $\geq 100M\Omega$
 - Contact resistance: $\leq 20m\Omega$
 - After environmental testing: $\leq 30m\Omega$

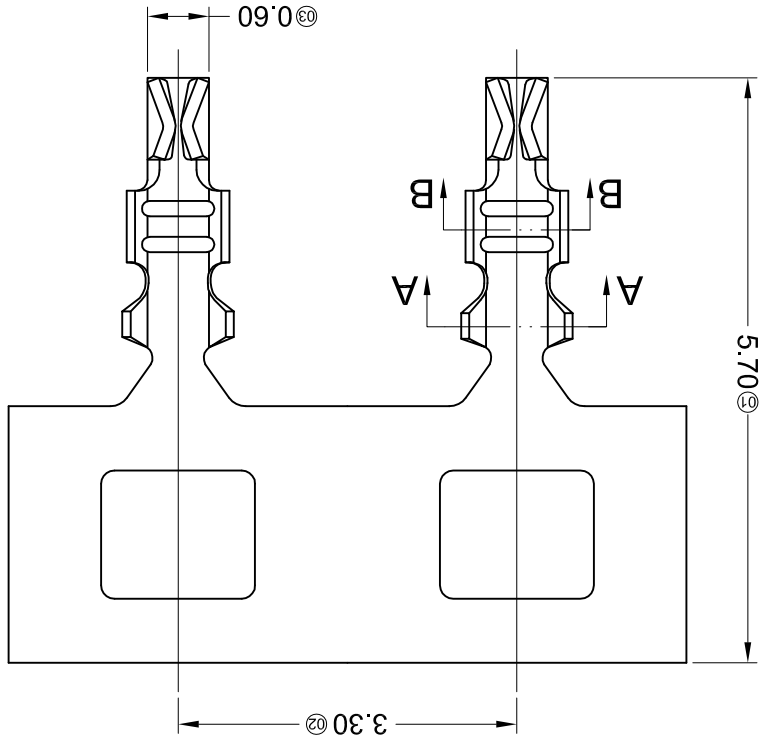
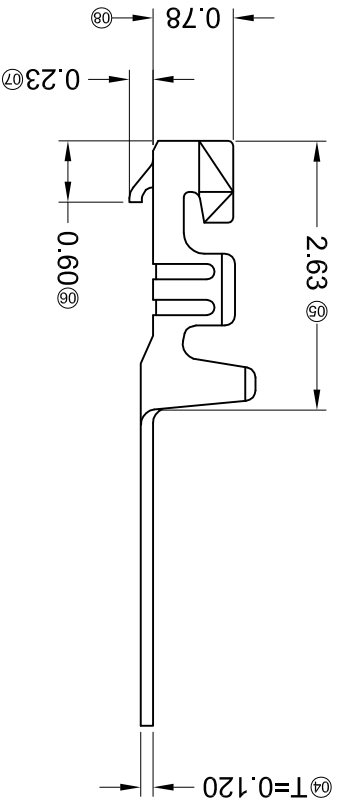
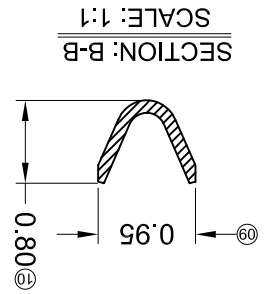
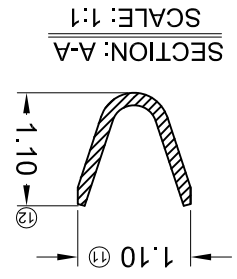
For and on behalf of
XKB INDUSTRIAL PRECISION CO., LIMITED
 香港星坤工業精密有限公司

REVISIONS
 Authorized Signature(s)

MARK	DESCRIPTION	DATE	REVISED	APPROVED	UNSPECIFIED TOLERANCES
△ X					ANGULAR ± 5°
△ X					L ≤ 4 ± 0.2
△ X					4 < L ≤ 16 ± 0.3
△ X					16 < L ≤ 63 ± 0.4
					L > 63 ± 0.5

DSND	DATE	SCALE: N/A	MODEL TYPE:
DWN	DATE <td>VIEW: </td> <td>PART NO.: 0800H</td>	VIEW:	PART NO.: 0800H
CHKD	DATE <td>UNIT: mm</td> <td>DWG NO.: 0.80 mm Crimp Style Connectors</td>	UNIT: mm	DWG NO.: 0.80 mm Crimp Style Connectors
APPD	DATE <td>SIZE: A4</td> <td>WEIGHT: 1.0g</td>	SIZE: A4	WEIGHT: 1.0g

PART NO	Material	Wire Range	Insulation O.D.	Suitable XKB Terminal
X0800T-P-SN	Phosphor Bronze	AWG#32	0.60mm(Max)	Suitable XKB Terminal
			Stamping Before Plating: 30u" Min Ni; 70u" Sn Min	0800H



① Series Number
 X0800 T X-P SN X-X

- Voltage rating: 125V AC / DC
- Current rating: 1A AC / DC
- Withstanding voltage: 250V AC/minute
- Temperature range: -25°C~+85°C
- Insulation resistance: ≥100MΩ
- Contact resistance: ≤20mΩ
- After environmental testing: ≤40mΩ

■ Specifications :

- ② Category: T-terminal
- ③ Shape: Blank-ordinary
- ④ Material: P-Phosphor bronze
- ⑤ Plating style: SN-Bright tin plating
- ⑥ Plating method:
- Blank-Stamping before plating
- ⑦ Mold No./Mark/Special No.

For and on behalf of
KKB INDUSTRIAL PRECISION CO., LIMITED
 香港星坤工業精密有限公司

Authorized Signature(s)

MARK	DESCRIPTION	DATE	REVISED	APPROVED	UNSPECIFIED TOLERANCES
△ X					L > 63 ±0.5
△ X					16 < L ≤ 63 ±0.4
△ X					4 < L ≤ 16 ±0.3
					L ≤ 4 ±0.2
					ANGULAR ±5°

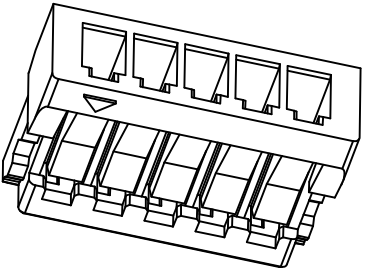
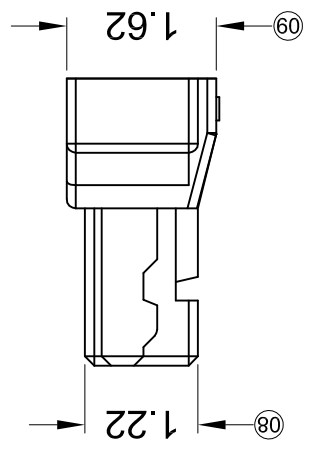
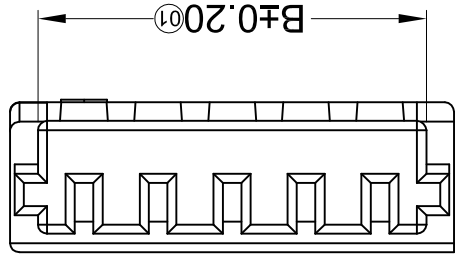
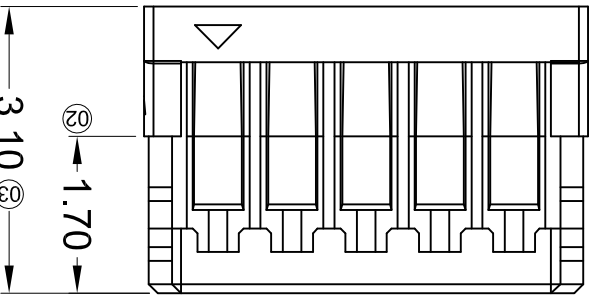
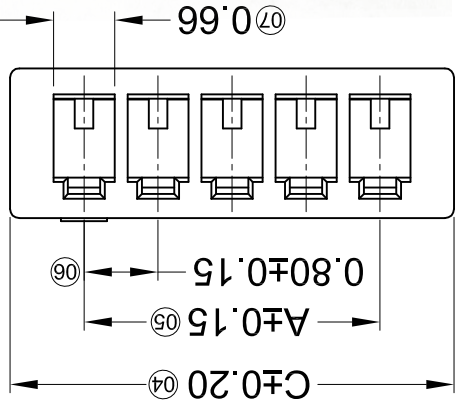
REVISIONS	DATE	REVISED	APPROVED	UNSPECIFIED TOLERANCES

DSND	DATE	SCALE: N/A	MODEL TYPE:

DWN	DATE	VIEW:	PART NO.:

CHKD	DATE	UNIT: mm	DWG NO.:
			0.80mm Crimp Style Connectors

APPD	DATE	SIZE: A4	WEIGHT	SHEET	REVISION
			1.0g	1/1	A0

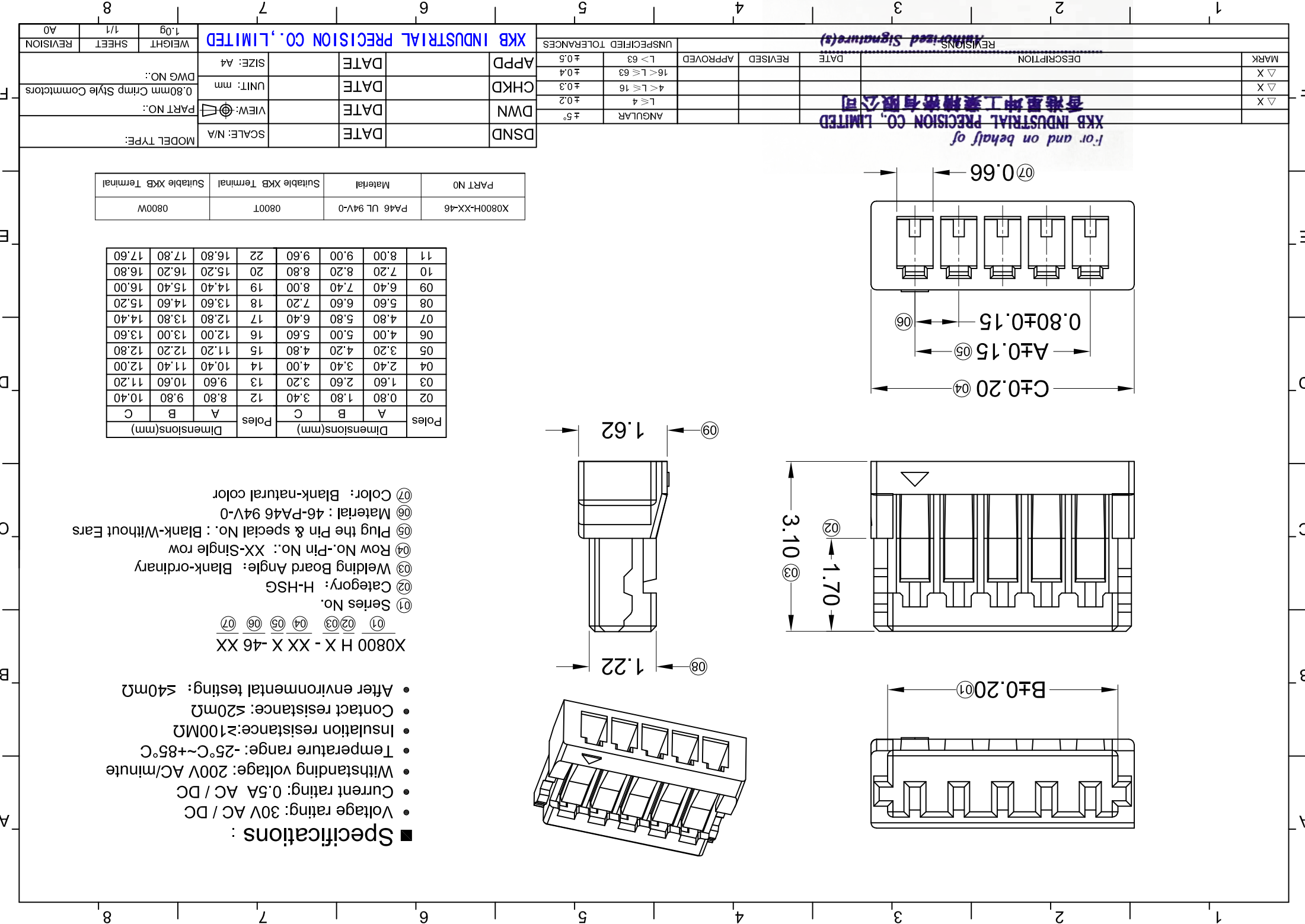


PART NO	Material	Suitable XKB Terminal	Suitable XKB Terminal
X0800H-XX-46	P446 UL 94V-0	0800T	0800W

Poles	Dimensions(mm)		
	A	B	C
02	0.80	1.80	3.40
03	1.60	2.60	3.20
04	2.40	3.40	4.00
05	3.20	4.20	4.80
06	4.00	5.00	5.60
07	4.80	5.80	6.40
08	5.60	6.60	7.20
09	6.40	7.40	8.00
10	7.20	8.20	8.80
11	8.00	9.00	9.60

- Specifications :**
- Voltage rating: 30V AC / DC
 - Current rating: 0.5A AC / DC
 - Withstanding voltage: 200V AC/minute
 - Temperature range: -25°C~+85°C
 - Insulation resistance: ≥100MΩ
 - Contact resistance: ≤20mΩ
 - After environmental testing: ≤40mΩ
- ① Series No.
 ② Category: H-HSG
 ③ Welding Board Angle: Blank-ordinary
 ④ Row No.-Pin No.: XX-Single row
 ⑤ Plug the Pin & special No.: Blank-Without Ears
 ⑥ Material: 46-P446 94V-0
 ⑦ Color: Blank-natural color

X0800 H X - XX X -46 XX



For and on behalf of
KKB INDUSTRIAL PRECISION CO., LIMITED
 香港星坤工業精密有限公司
 REVISIONS
 UNAUTHORIZED SIGNATURE(S)

MARK	DESCRIPTION	DATE	REVISED	APPROVED	UNSPECIFIED TOLERANCES
△ X					L > 63 ±0.5
△ X					16 < L ≤ 63 ±0.4
△ X					4 < L ≤ 16 ±0.3
					L ≤ 4 ±0.2
					ANGULAR ±5°

REVISION	SHEET	WEIGHT	1.0g	8
A0	1/1			

DATE	SCALE: N/A	MODEL TYPE:	DSND	DATE

DATE	VIEW:	PART NO.:	DWN	DATE

DATE	UNIT: mm	DWG NO.:	CHKD	DATE

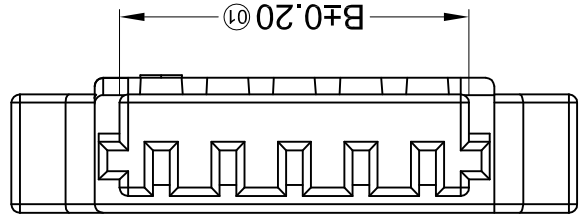
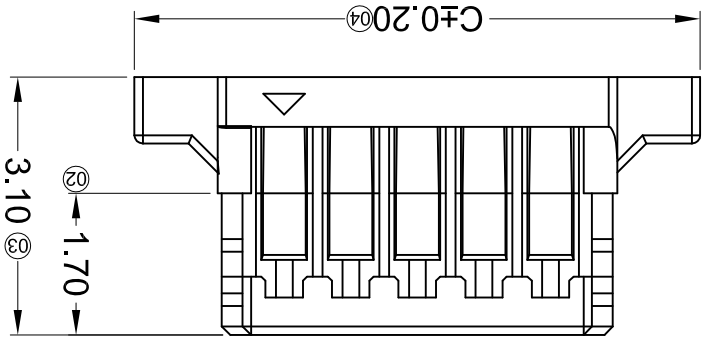
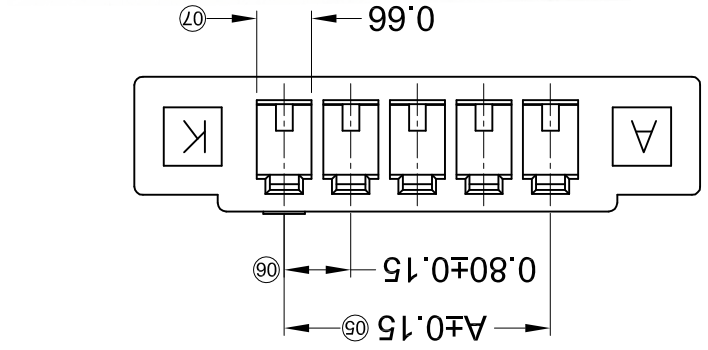
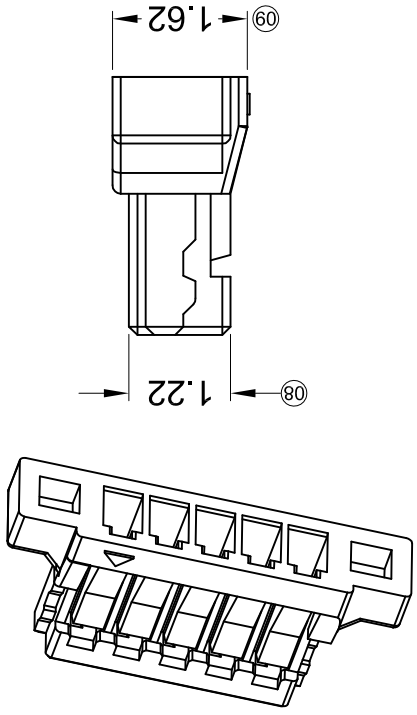
DATE	SIZE: A4	APPD	DATE

PART NO	Material	Suitable XKB Terminal	Suitable XKB Terminal
X0800H-XXE-46	PA46 UL 94V-0	0800T	Suitable XKB Terminal

Poles	Dimensions(mm)			Poles	Dimensions(mm)		
	A	B	C		A	B	C
02	0.80	1.80	4.40	12	8.80	9.80	12.40
03	1.60	2.60	5.20	13	9.60	10.60	13.20
04	2.40	3.40	6.00	14	10.40	11.40	14.00
05	3.20	4.20	6.80	15	11.20	12.20	14.80
06	4.00	5.00	7.60	16	12.00	13.00	15.60
07	4.80	5.80	8.40	17	12.80	13.80	16.40
08	5.60	6.60	9.20	18	13.60	14.60	17.20
09	6.40	7.40	10.00	19	14.40	15.40	18.00
10	7.20	8.20	10.80	20	15.20	16.20	18.80
11	8.00	9.00	11.60	22	16.80	17.80	19.60

- ① Series No.
 ② Category: H-HSG
 ③ Welding Board Angle: Blank-ordinary
 ④ Row No.-Pin No.: XX-Single row
 ⑤ Plug the Pin & special No. E-With Ears
 ⑥ Material: 46-PA46 94V-0
 ⑦ Color: Blank-natural color
- X0800 H X - XX E -46 XX

- Specifications:**
 - Voltage rating: 30V AC / DC
 - Current rating: 0.5A AC / DC
 - Withstanding voltage: 200V AC/minute
 - Temperature range: -25°C~+85°C
 - Insulation resistance: ≥100MΩ
 - Contact resistance: ≤20mΩ
 - After environmental testing: ≤40mΩ



For and on behalf of
KXB INDUSTRIAL PRECISION CO., LIMITED
 香港星坤工業精密有限公司

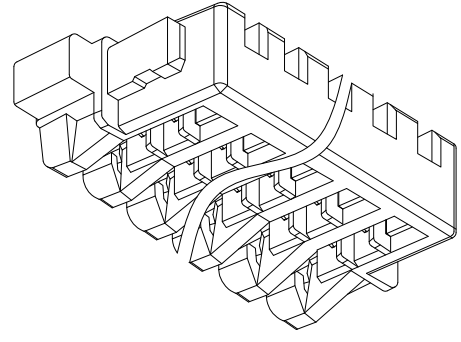
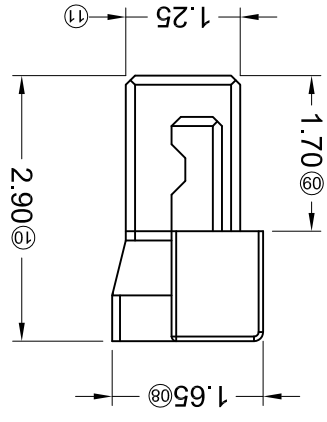
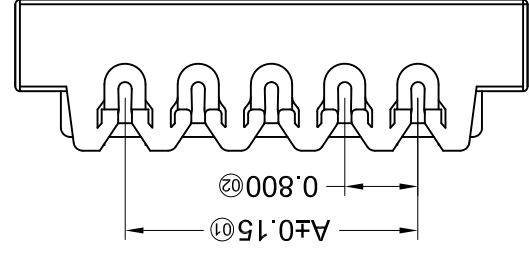
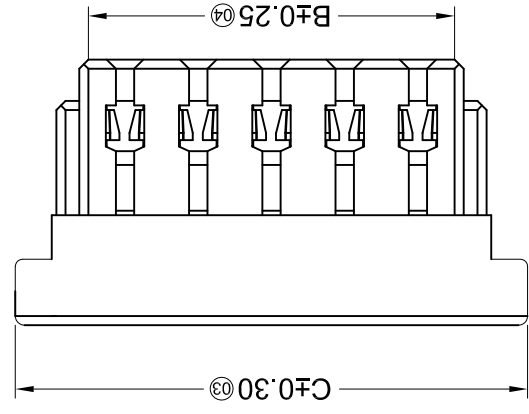
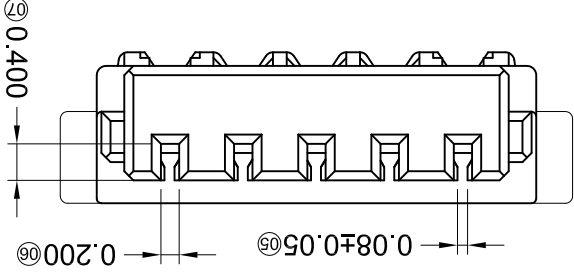
REVISIONS
 Authorized Signatures(s)

MARK	DESCRIPTION	DATE	REVISED	APPROVED	UNSPECIFIED TOLERANCES
△X					±0.5
△X					16 < L ≤ 63 ±0.4
△X					4 < L ≤ 16 ±0.3
					L ≤ 4 ±0.2
					ANGULAR ±5°

REVISION	SHEET	WEIGHT	SIZE	DATE	DATE	DATE	DATE	DATE
A0	1/1	1.0g	A4					

KXB INDUSTRIAL PRECISION CO., LIMITED

MODEL TYPE:	SCALE: N/A	DATE	DATE	DATE	DATE
PART NO.:	VIEW:	DATE	DATE	DATE	DATE
DWG NO.:	UNIT: mm	DATE	DATE	DATE	DATE
0.80mm IDC Style Connectors					
APPD	SIZE: A4				



Poles	Dimensions(mm)		
	A	B	C
02	0.80	1.78	3.20
03	1.60	2.58	4.00
04	2.40	3.38	4.80
05	3.20	4.18	5.60
06	4.00	4.98	6.40
07	4.80	5.78	7.20
08	5.60	6.58	8.00
09	6.40	7.38	8.80
10	7.20	8.18	9.60
11	8.00	8.98	10.40
12	8.80	9.78	11.20
13	9.60	10.58	12.00
14	10.40	11.38	12.80
15	11.20	12.18	13.60
16	12.00	12.98	14.40
17	12.80	13.78	15.20
18	13.60	14.58	16.00
19	14.40	15.38	16.80
20	15.20	16.18	17.60
22	16.80	17.78	19.20

- X0800 H I - XX E G - N0 HF**
- ① Series No.
 - ② Category: H-HSG
 - ③ Welding Board Angle: LHSG+hardware
 - ④ Row No.-Pin No.: XX-Single row
 - ⑤ Plug the Pin & special No.
 - ⑥ E-Ear Clip: G-Gold Plating
 - ⑦ Material: N0-PA66 94V-0;
 - ⑧ HF-Halogen free

- Specifications :**
- Voltage rating: 30V AC / DC
 - Current rating: 0.5A AC / DC
 - Withstanding voltage: 200V AC/minute
 - Temperature range: -25°C~+85°C
 - Insulation resistance: ≥100MΩ
 - Contact resistance: ≤20mΩ
 - After environmental testing: ≤30mΩ

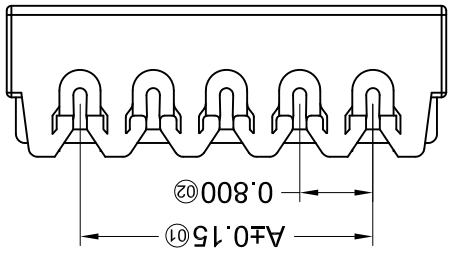
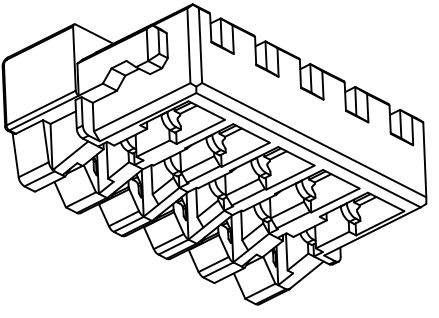
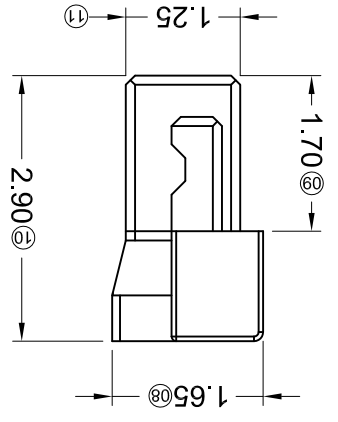
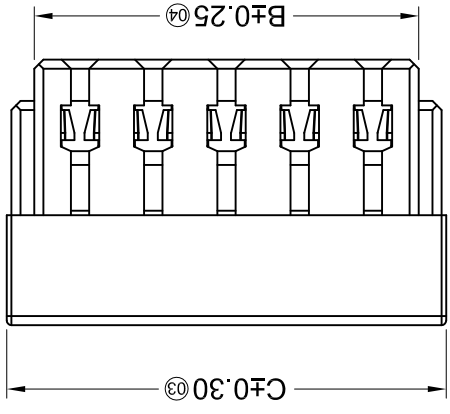
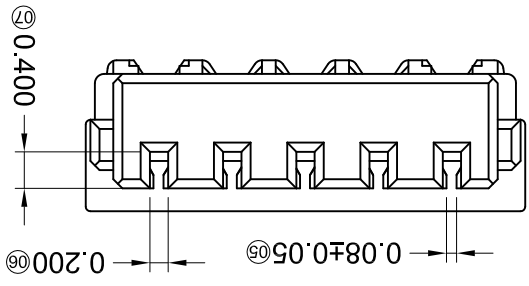
PART NO	Material	Wire Range	Insulation O.D.	Material(Terminal)	Finish(Terminal)	Suitable(XB Terminal)
X0800H-I-XXEG-N0HF	PA66 UL 94V-0 Halogen Free	AWG#32-34	0.38mm(Max)	Phosphor Bronze	Gold-Flash	0800W

For and on behalf of
KXB INDUSTRIAL PRECISION CO., LIMITED
 香港星洲工業精密有限公司

REVISIONS
 (Unauthorized Signatures)

MARK	DESCRIPTION	DATE	REVISED	APPROVED	UNSPECIFIED TOLERANCES
△ X					L > 63 ±0.5
△ X					16 < L ≤ 63 ±0.4
△ X					4 < L ≤ 16 ±0.3
					L ≤ 4 ±0.2
					ANGULAR ±5°

DSND	DATE	SCALE: N/A	MODEL TYPE:
DWN <th>DATE</th> <th>VIEW: </th> <th>PART NO.:</th>	DATE	VIEW:	PART NO.:
CHKD <th>DATE</th> <th>UNIT: mm</th> <th>DWG NO.:</th>	DATE	UNIT: mm	DWG NO.:
APPD <th>DATE</th> <th>SIZE: A4</th> <th>WEIGHT: 1.0g</th>	DATE	SIZE: A4	WEIGHT: 1.0g
			SHEET: 1/1
			REVISION: A0



PART NO	Material	Wire Range	Insulation O.D.	Material(Terminal)	Fishh(Terminal)	Suitable XKB Terminal
X0800H-XX-N0HF	PA66 UL 94V-0 Halogen Free	AWG#32-36	0.39mm(Max)	Phosphor Bronze	Gold-Finish	0800W
X0800H-XX-N0HF	PA66 UL 94V-0 Halogen Free	AWG#32-36	0.39mm(Max)	Phosphor Bronze	Tin-Plated	0800W

Poles	Dimensions(mm)		
	A	B	C
02	0.80	1.78	2.40
03	1.60	2.58	3.20
04	2.40	3.38	4.00
05	3.20	4.18	4.80
06	4.00	4.98	5.60
07	4.80	5.78	6.40
08	5.60	6.58	7.20
09	6.40	7.38	8.00
10	7.20	8.18	8.80
11	8.00	8.98	9.60
12	8.80	9.78	10.40
13	9.60	10.58	11.20
14	10.40	11.38	12.00
15	11.20	12.18	12.80
16	12.00	12.98	13.60
17	12.80	13.78	14.40
18	13.60	14.58	15.20
19	14.40	15.38	16.00
20	15.20	16.18	16.80
22	16.80	17.78	18.40

- Specifications :**
- Voltage rating: 30V AC / DC
 - Current rating: 0.5A AC / DC
 - Withstanding voltage: 200V AC/minute
 - Temperature range: -25°C~+85°C
 - Insulation resistance: ≥100MΩ
 - Contact resistance: ≤20mΩ
 - After environmental testing: ≤40mΩ
- Series No.** 01 02 03 04 05 06 07
- Category:** H-HSG
- Welding Board Angle:** L-HSG+hardware
- Row No.-Pin No.:** XX-Single row
- Plug the Pin & special No. G-Gold Plating**
- Material:** NO-PA66 94V-0
- HF-Halogen free**

X-ON Electronics

Largest Supplier of Electrical and Electronic Components

Click to view similar products for [Headers & Wire Housings](#) category:

Click to view products by [XKB](#) manufacturer:

Other Similar products are found below :

[95000-104TRLF](#) [10135584-644402LF](#) [DF62W-EP2022PCA](#) [95000-106TRLF](#) [DF62W-2022SCA](#) [DF62W-EP2022PC](#) [2203348](#) [DF62W-2022SC](#) [1084018](#) [1029039](#) [1084017](#) [802-10-012-10-002000](#) [1112640](#) [1112639](#) [891-007-9SS-BST1T](#) [000-34000](#) [0008550134](#) [0009482033](#) [0009507031](#) [57102-F02-18ULF](#) [57102-S06-03LF](#) [57202-S52-04LF](#) [PCN6-15S-2.5E](#) [0039019024](#) [58102-G61-06LF](#) [582553-1](#) [0009485154](#) [0009508121](#) [0022285053](#) [0050291907](#) [018731A](#) [LY20-4P-DT1-P1E-BR](#) [02.125.8002.8](#) [60101931](#) [60598-1 \(Cut Strip\)](#) [M1625-3R/100](#) [61062-3](#) [61082-181009](#) [CSU011177004](#) [636-1427](#) [638009-1](#) [641938-9](#) [641991-4](#) [644168-1](#) [644827-2](#) [647662-1](#) [65039-019ELF](#) [65692-001LF](#) [65781-018](#) [65781-047](#)