

For and on behalf of  
**KXB INDUSTRIAL PRECISION CO., LIMITED**  
 香港星坤工業精密有限公司

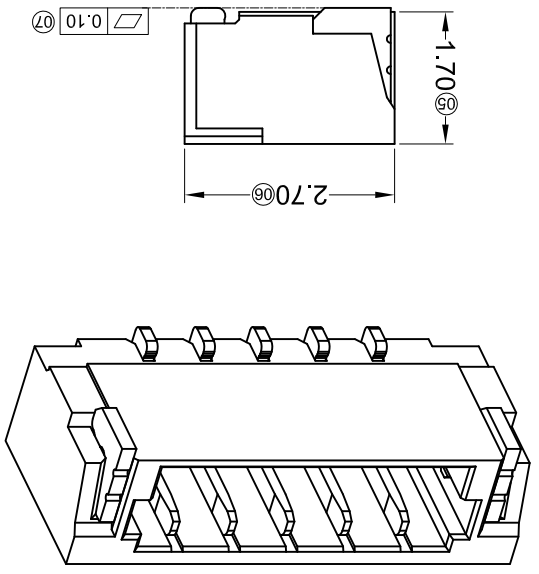
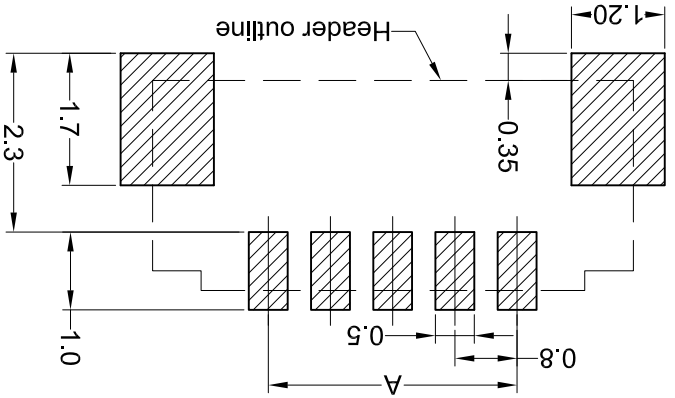
MARK	DESCRIPTION	DATE	REVISED	APPROVED	UNSPECIFIED TOLERANCES
△ X					L > 63
△ X					16 < L ≤ 63
△ X					4 < L ≤ 16
△ X					L ≤ 4
					ANGULAR
					±5°

REVISIONS	SIGNATURE(S)	
APPROVED		
REVISED		
DATE		
UNSPECIFIED TOLERANCES		

REVISIONS	DATE	DESCRIPTION
1		
2		
3		
4		
5		
6		
7		
8		

Recommended P.C.B Layout  
 General Tolerance±0.05



PART NO	Material	Material(Pin)	Finish(Pin)	Material (Solder Tabs)	Finish (Solder Tabs)	Suitable XKB Terminal
X0800WRS-XXHF-6TV01BK	(Halogen-free)	Phosphor Bronze	Gold-Flash	Brass	Gold-Flash	0800H
X0800WRS-XXHF-6TV01	(Halogen-free)	Phosphor Bronze	Gold-Flash	Brass	Gold-Flash	
X0800WRS-XXHF-LPV01	Halogen-free	Phosphor Bronze	Gold-Flash	Brass	Tin-Plated	
X0800WRS-XXHF-LPSN	Halogen-free	Phosphor Bronze	Gold-Flash	Brass	Tin-Plated	

Poles	Dimensions(mm)		
	A	B	C
02	0.80	1.90	3.78
03	1.60	2.70	4.58
04	2.40	3.50	5.38
05	3.20	4.30	6.18
06	4.00	5.10	6.98
07	4.80	5.90	7.78
08	5.60	6.70	8.58
09	6.40	7.50	9.38
10	7.20	8.30	10.18
11	8.00	9.10	10.98

Dimensions(mm)		
A	B	C
02	8.80	9.90
03	9.60	10.70
04	10.40	11.50
05	11.20	12.30
06	12.00	13.10
07	12.80	13.90
08	13.60	14.70
09	14.40	15.50
10	15.20	16.30
11	16.00	17.10

- Specifications :
- Voltage rating: 30V AC / DC
  - Current rating: 0.5A AC / DC
  - Withstanding voltage: 200V AC/minute
  - Temperature range: -25°C~+85°C
  - Insulation resistance: ≥100MΩ
  - Contact resistance: ≤20mΩ
  - After environmental testing: ≤30mΩ
- X0800 W R S - XX X - XX XX XX XX XX
- ① Series No.  
 ② Category: W-water  
 ③ Welding Board Angle: R-90°  
 ④ Welding Way: S-SMT  
 ⑤ Row No.-Pin No. XX-XX-Single row  
 ⑥ Plug the Pin & Special NO.: HF-Halogen free  
 ⑦ Material: LP-LCP 94V-0; 6T-PA6T 94V-0  
 ⑧ Plating Category: V01: All Gold-Flash; SN-Bright tin plating  
 ⑨ Color: Blank-natural color; BK-black

## X-ON Electronics

Largest Supplier of Electrical and Electronic Components

*Click to view similar products for [Headers & Wire Housings](#) category:*

*Click to view products by [XKB](#) manufacturer:*

Other Similar products are found below :

[95000-104TRLF](#) [10135584-644402LF](#) [DF62W-EP2022PCA](#) [95000-106TRLF](#) [DF62W-2022SCA](#) [DF62W-EP2022PC](#) [2203348](#) [DF62W-2022SC](#) [1084018](#) [1029039](#) [1084017](#) [802-10-012-10-002000](#) [1112640](#) [1112639](#) [891-007-9SS-BST1T](#) [000-34000](#) [0008550134](#) [0009482033](#) [0009507031](#) [57102-F02-18ULF](#) [57102-S06-03LF](#) [57202-S52-04LF](#) [PCN6-15S-2.5E](#) [0039019024](#) [58102-G61-06LF](#) [582553-1](#) [0009485154](#) [0009508121](#) [0022285053](#) [0050291907](#) [018731A](#) [LY20-4P-DT1-P1E-BR](#) [02.125.8002.8](#) [60101931](#) [60598-1 \(Cut Strip\)](#) [M1625-3R/100](#) [61062-3](#) [61082-181009](#) [CSU011177004](#) [636-1427](#) [638009-1](#) [641938-9](#) [641991-4](#) [644168-1](#) [644827-2](#) [647662-1](#) [65039-019ELF](#) [65692-001LF](#) [65781-018](#) [65781-047](#)