

Specifications:
 规格:
 Voltage rating:50V AC/DC
 额定电压: 50V AC/DC
 Current rating:0.5A AC/DC
 额定电流: 0.5A AC/DC
 Withstanding voltage:250V AC/minute
 耐受电压: 250V AC/分钟
 Temperature range:-40°C-+105°C
 温度范围: -40°C-+105°C
 Insulation resistance:500MΩ
 绝缘电阻: 500MΩ
 Contact resistance:100mΩ
 接触电阻: 100mΩ

X0815 F V S - XX B S - 9T V01

① ② ③ ④ ⑤ ⑥ ⑦ ⑧ ⑨

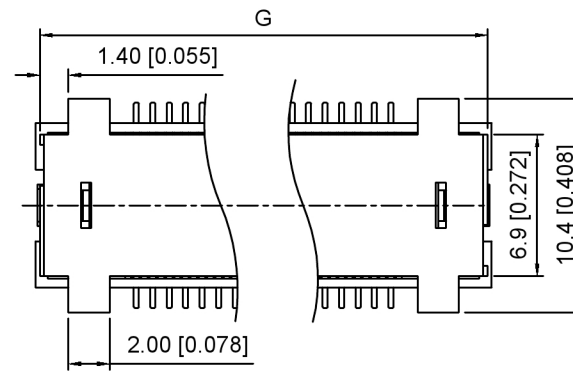
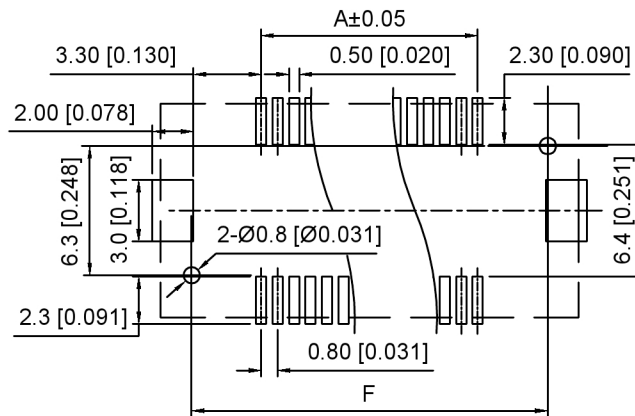
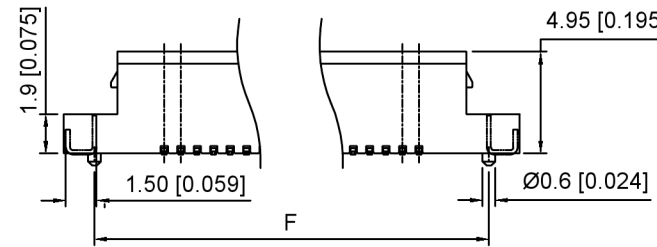
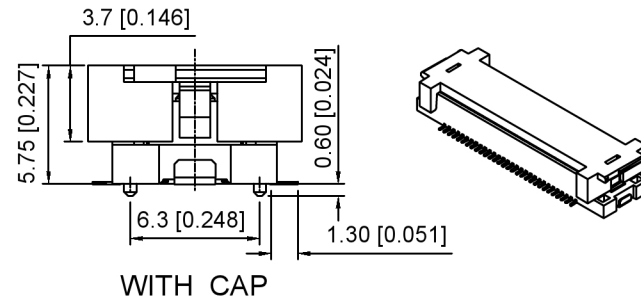
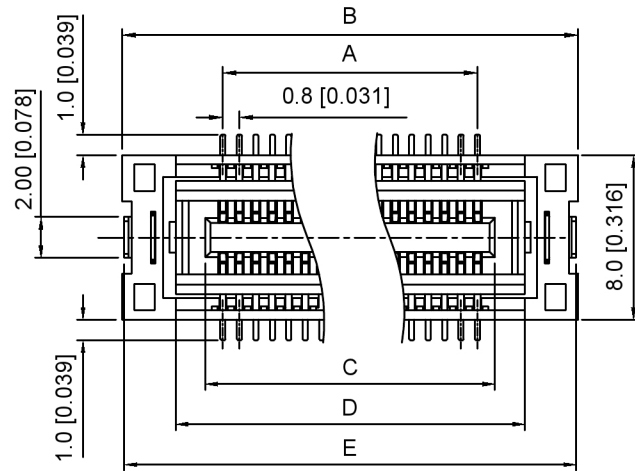
- 1.Series No
- 2.Category:F-Female
- 3.Welding Board Angle:V-Stright 180°
- 4.Welding Way:S-SMT
- 5.Row No.Pin No:XX-10-100Pin
- 6.Category:B-4.95mm Height
- 7.Special No:S-With positioning column
- 8.Material:9T-PA9T UL94V-0
CAP Material: PA6T UL94V-0
- 9.Plating:Gold Plated 4u" MIN

X0815FVS-XXBS-9TV01	X0815WVS-XXBS-9TV01	8.0mm±0.5
	X0815WVS-XXCS-9TV01	20.95mm±0.5
	X0815WVS-XXDS-9TV01	6.0mm±0.5
	X0815WVS-XXES-9TV01	9.0mm±0.5
	X0815WVS-XXFS-9TV01	15.75mm±0.5
	X0815WVS-XXGS-9TV01	14.25mm±0.5
PART NO	Suitable XKB Wafer	Mating Height

Poles	Dimensions(mm)						
	A	B	C	D	E	F	G
10	3.20	13.00	4.80	7.80	12.80	10.00	12.60
20	7.20	17.00	8.80	11.80	16.80	14.00	16.60
30	11.20	21.00	12.80	15.80	20.80	18.00	20.60
40	15.20	25.00	16.80	19.80	24.80	22.00	24.60
50	19.20	29.00	20.80	23.80	28.80	26.00	28.60
60	23.20	33.00	24.80	27.80	32.80	30.00	32.60
70	27.20	37.00	28.80	31.80	36.80	34.00	36.60
80	31.20	41.00	32.80	35.80	40.80	38.00	40.60
90	35.20	45.00	36.80	39.80	44.80	42.00	44.60
100	39.20	49.00	40.80	43.80	48.80	46.00	48.60

X0815FVS-XXBS-9TV01	PA9T	Phosphor Bronze	X0815W
PART NO	Material	Material(Pin)	Suitable XKB Wafer

DSND	SCALE: N/A	MODEL TYPE: 0.8mm BTB Connector
DWN	VIEW:	PART NO.: X0815FVS-XXBS-9TV01
CHKD	UNIT: mm/in	DWG NO.: X-X0815FVS-XXBS-9TV01
APPD	SIZE: A4	



Recommended PCB Layout

WITH CAP

广东星坤科技股份有限公司

ΔX	日期
ΔX	日期
ΔX	日期
MARK	DESCRIPTION

文件工程章

REVISIONS	DATE	REVISED	APPROVED	UNSPECIFIED TOLERANCES

www.helloxkb.com www.helloxkb.cn www.xk-dg.cn



XKB INDUSTRIAL PRECISION CO.,LIMITED

WEIGHT	SHEET	REVISION
	1/1	A0

X-ON Electronics

Largest Supplier of Electrical and Electronic Components

Click to view similar products for [Board to Board & Mezzanine Connectors](#) category:

Click to view products by [XKB](#) manufacturer:

Other Similar products are found below :

[589158040000018](#) [MDF7C-18P-2.54DSA\(55\)](#) [FCN-268F036-G/BD](#) [FCN-268M012-G/0D](#) [FCN-268M024-G/1D](#) [MIS-048-01-F-D-DP-K](#)
[832-10-034-10-001000](#) [FX4C-80S-1.27DSA](#) [93696-330](#) [224393](#) [FCN-235D050-G/C](#) [210-93-314-41-105000](#) [MDF7-40DP-2.54DSA\(55\)](#)
[55323-1519](#) [069159702701000](#) [101A10019X](#) [105061100000861+](#) [75140-7012](#) [87471-650](#) [1744382-4](#) [063209](#) [10124054-515LF](#) [68685-603](#)
[8-1616154-3](#) [541371078](#) [IL-WX-10PB-HF-B-E1000E](#) [FX23-40P-0.5SV15B](#) [FCN-214J100-G/0](#) [354184](#) [P50-028-DDS-TG](#) [53309-2471](#)
[54546-2071](#) [1586617-1](#) [504248-1210](#) [504248-2010](#) [1-1437355-2](#) [9159005551906](#) [NDS100-004-BF](#) [93696-730LF](#) [91922-31141LF](#) [505274-](#)
[3440](#) [501493-2410](#) [504208-3410](#) [505006-0811](#) [505274-2040](#) [202436-1600](#) [202477-0414](#) [71660-7580](#) [73420-5192](#) [360-10-107-00-001000](#)