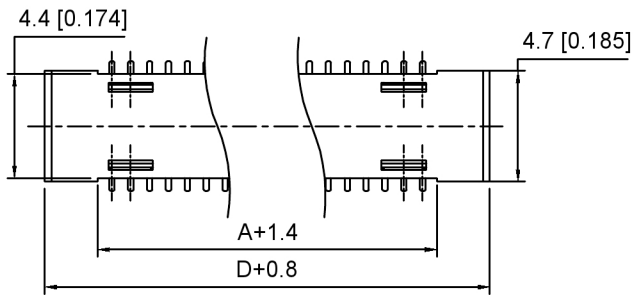
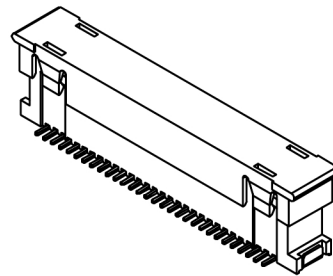
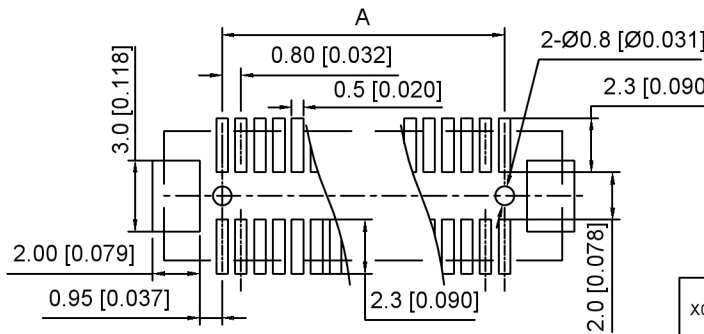
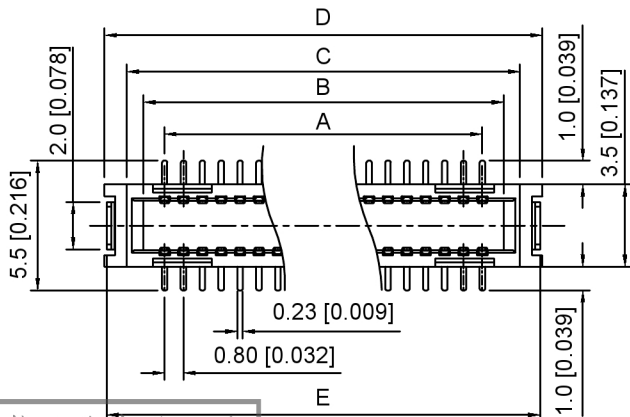
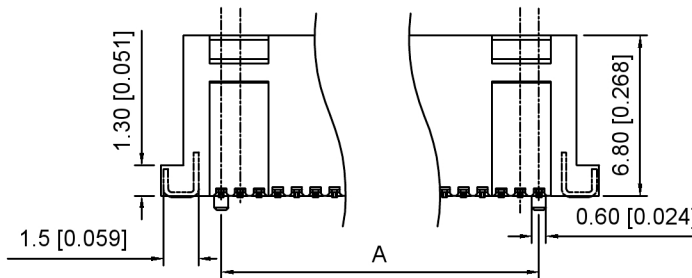


WITH CAP



WITH CAP



Recommended PCB Layout

Specifications:

规格:

Voltage rating:50V AC/DC

额定电压: 50V AC/DC

Current rating:0.5A AC/DC

额定电流: 0.5A AC/DC

Withstanding voltage:250V AC/minute

耐受电压: 250V AC/分钟

Temperature range:-40°C-+105°C

温度范围: -40°C-+105°C

Insulation resistance:500MΩ

绝缘电阻: 500MΩ

Contact resistance:100mΩ

接触电阻: 100mΩ

X0815 W V S - XX B S - 9T V01

① ② ③ ④ ⑤ ⑥ ⑦ ⑧ ⑨

1. Series No
2. Category:W-Wafer
3. Welding Board Angle:V-Straight 180°
4. Welding Way:S-SMT
5. Row No. Pin No:XX-10-100Pin
6. Category:B-6.8mm Height
7. Special No:S-With positioning column
8. Material:9T-PA9T UL94V-0
CAP Material:PA6T UL94V-0
9. Plating:Gold Plated 4u" MIN

Poles	Dimensions(mm)				
	A	B	C	D	E
10	3.20	5.00	6.40	8.30	8.10
20	7.20	9.00	10.40	12.30	12.10
30	11.20	13.00	14.40	16.30	16.10
40	15.20	17.00	18.40	20.30	20.10
50	19.20	21.00	22.40	24.30	24.10
60	23.20	25.00	26.40	28.30	28.10
70	27.20	29.00	30.40	32.30	32.10
80	31.20	33.00	34.40	36.30	36.10
90	35.20	37.00	38.40	40.30	40.10
100	39.20	41.00	42.40	44.30	44.10

X0815WS-XXBS-9TV01	PA9T	Phosphor Bronze	X0815FVS-A	11.75mm±0.5
			X0815FVS-B	8.0mm±0.5
PART NO	Material	Material(Pin)	Suitable XKB Wafer	Mating Height

DSND	SCALE: N/A	MODEL TYPE: 0.8mm BTB Connector		
DWN	VIEW:	PART NO.: X0815WS-XXBS-9TV01		
CHKD	UNIT: mm/in	DWG NO.: X-X0815WS-XXBS-9TV01		
APPD	SIZE: A4	WEIGHT	SHEET	REVISION
XKB INDUSTRIAL PRECISION CO., LIMITED			1/1	A0

ANGLAR	±5°
L ≤ 4	±0.2
4 < L ≤ 16	±0.3
16 < L ≤ 63	±0.4
L > 63	±0.5
UNSPECIFIED TOLERANCES	



广东星坤科技股份有限公司

日期
文件工程章

MARK	DESCRIPTION	DATE	REVISED	APPROVED
REVISIONS				
www.helloxkb.com www.helloxkb.cn www.xk-dg.cn				

X-ON Electronics

Largest Supplier of Electrical and Electronic Components

Click to view similar products for [Board to Board & Mezzanine Connectors](#) category:

Click to view products by [XKB](#) manufacturer:

Other Similar products are found below :

[589158040000018](#) [MDF7C-18P-2.54DSA\(55\)](#) [FCN-268F036-G/BD](#) [FCN-268M012-G/0D](#) [FCN-268M024-G/1D](#) [MIS-048-01-F-D-DP-K](#)
[832-10-034-10-001000](#) [FX4C-80S-1.27DSA](#) [93696-330](#) [224393](#) [FCN-235D050-G/C](#) [210-93-314-41-105000](#) [MDF7-40DP-2.54DSA\(55\)](#)
[MIT-114-03-F-D-K](#) [55323-1519](#) [026-6203-PDB](#) [027-6203-PDB](#) [069159702701000](#) [101A10019X](#) [105061100000861+](#) [55650-0588-C](#) [75140-](#)
[7012](#) [87471-650](#) [YTW-30-07-H-Q-410-140](#) [YTT-112-01-H-Q](#) [063209](#) [10124054-515LF](#) [68685-603](#) [8-1616154-3](#) [MIS-019-01-F-D](#) [YTE-](#)
[12002H6740](#) [YTQ-12103HQ](#) [541371078](#) [IL-WX-10PB-HF-B-E1000E](#) [FCN-214J100-G/0](#) [FCN-230C068-E/S](#) [354184](#) [MIT-019-04-F-D-K](#)
[P50-028-DDS-TG](#) [53309-2471](#) [54546-2071](#) [1586617-1](#) [504208-3010](#) [504208-5010](#) [504248-1010](#) [504248-1210](#) [504248-2010](#) [LST-115-07-S-](#)
[D](#) [LST-105-07-G-D](#) [9159005551906](#)