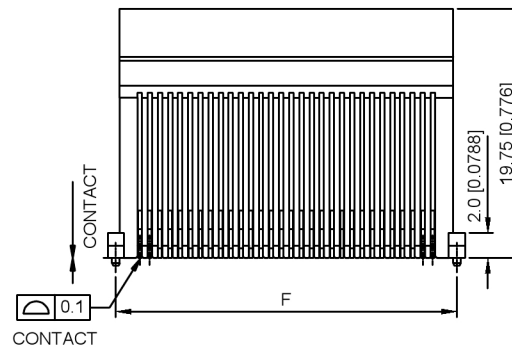
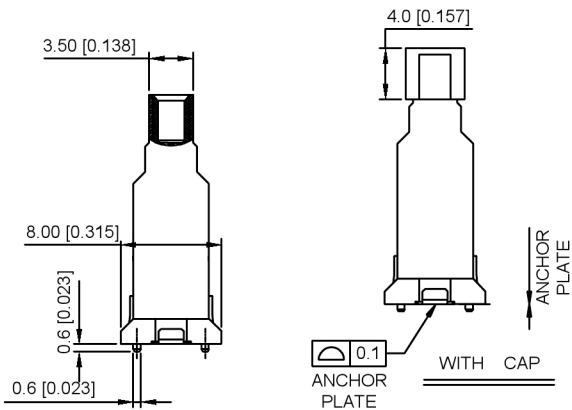


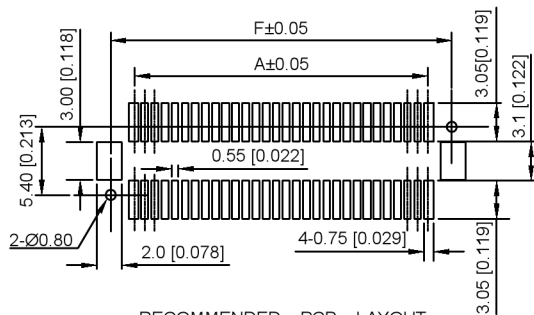
Specifications:

规格:
 Voltage rating:50V AC/DC
 额定电压: 50V AC/DC
 Current rating:0.5A AC/DC
 额定电流: 0.5A AC/DC
 Withstanding voltage:250V AC/minute
 耐受电压: 250V AC/分钟
 Temperature range:-40°C-+105°C
 温度范围: -40°C-+105°C
 Insulation resistance:500MΩ
 绝缘电阻: 500MΩ
 Contact resistance:100mΩ
 接触电阻: 100mΩ

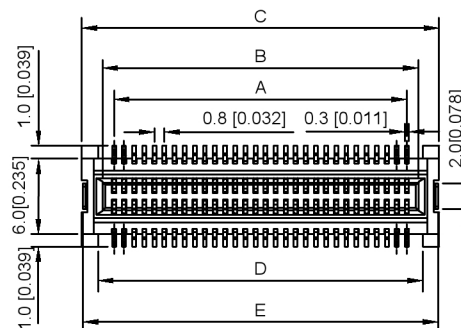


X0815 W V S - XX C S - 9T V01
 ① ② ③ ④ ⑤ ⑥ ⑦ ⑧ ⑨

- Series No
- Category:W-Wafer
- Welding Board Angle:V-Stright 180°
- Welding Way:S-SMT
- Row No.Pin No:XX-30-60Pin
- Category:C-19.75mm Height
- Special No:S-With positioning column
- Material:9T-PA9T UL94V-0
CAP Material:PA46 UL94V-0
- Plating:Gold Plated 3u" MIN



RECOMMENDED PCB LAYOUT
 GENERAL TOLERANCE : ±0.05



| Poles | Dimensions(mm) | | | | | |
|-------|----------------|-------|-------|-------|-------|-------|
| | A | B | C | D | E | F |
| 30 | 11.20 | 13.00 | 16.30 | 13.70 | 16.10 | 15.00 |
| 40 | 15.20 | 17.00 | 20.30 | 17.70 | 20.10 | 19.00 |
| 50 | 19.20 | 21.00 | 24.30 | 21.70 | 24.10 | 23.00 |
| 60 | 23.20 | 25.00 | 28.30 | 25.70 | 28.10 | 27.00 |

| | | | | |
|---------------------|----------|-----------------|--------------------|---------------|
| X0815WVS-XXCS-9TV01 | PA9T | Phosphor Bronze | X0815FVS-A | 24.7mm±0.5 |
| | | | X0815FVS-B | 20.95mm±0.5 |
| PART NO | Material | Material(Pin) | Suitable XKB Wafer | Mating Height |

| | | |
|------|-------------|------------------------------------|
| DSND | SCALE: N/A | MODEL TYPE: 0.8mm BTB Connector |
| DWN | VIEW: | PART NO.: X0815WVS-XXCS-9TV01 |
| CHKD | UNIT: mm/in | DWG NO.: X-X0815WVS-XXCS-9TV01 |
| APPD | SIZE: A4 | WEIGHT SHEET REVISION 1/1 A0 |

| | |
|-------------|------|
| ANGLAR | ±5° |
| L ≤ 4 | ±0.2 |
| 4 < L ≤ 16 | ±0.3 |
| 16 < L ≤ 63 | ±0.4 |
| L > 63 | ±0.5 |



XKB INDUSTRIAL PRECISION CO., LIMITED

广东星坤科技股份有限公司

| | |
|------|-------------|
| Δx | 日期 |
| Δx | 日期 |
| Δx | 日期 |
| MARK | DESCRIPTION |

文件工程章

| | | | | |
|-----------|------|---------|----------|------------------------|
| REVISIONS | DATE | REVISED | APPROVED | UNSPECIFIED TOLERANCES |
|-----------|------|---------|----------|------------------------|

www.helloxkb.com www.helloxkb.cn www.xk-dg.cn

X-ON Electronics

Largest Supplier of Electrical and Electronic Components

Click to view similar products for [Board to Board & Mezzanine Connectors](#) category:

Click to view products by [XKB](#) manufacturer:

Other Similar products are found below :

[589158040000018](#) [MDF7C-18P-2.54DSA\(55\)](#) [FCN-268F036-G/BD](#) [FCN-268M012-G/0D](#) [FCN-268M024-G/1D](#) [MIS-048-01-F-D-DP-K](#)
[832-10-034-10-001000](#) [FX4C-80S-1.27DSA](#) [93696-330](#) [224393](#) [FCN-235D050-G/C](#) [210-93-314-41-105000](#) [MDF7-40DP-2.54DSA\(55\)](#)
[55323-1519](#) [069159702701000](#) [101A10019X](#) [105061100000861+](#) [75140-7012](#) [87471-650](#) [1744382-4](#) [063209](#) [10124054-515LF](#) [68685-603](#)
[8-1616154-3](#) [541371078](#) [IL-WX-10PB-HF-B-E1000E](#) [FX23-40P-0.5SV15B](#) [FCN-214J100-G/0](#) [354184](#) [P50-028-DDS-TG](#) [53309-2471](#)
[54546-2071](#) [1586617-1](#) [504248-1210](#) [504248-2010](#) [1-1437355-2](#) [9159005551906](#) [NDS100-004-BF](#) [93696-730LF](#) [91922-31141LF](#) [505274-](#)
[3440](#) [501493-2410](#) [504208-3410](#) [505006-0811](#) [505274-2040](#) [202436-1600](#) [202477-0414](#) [71660-7580](#) [73420-5192](#) [360-10-107-00-001000](#)