

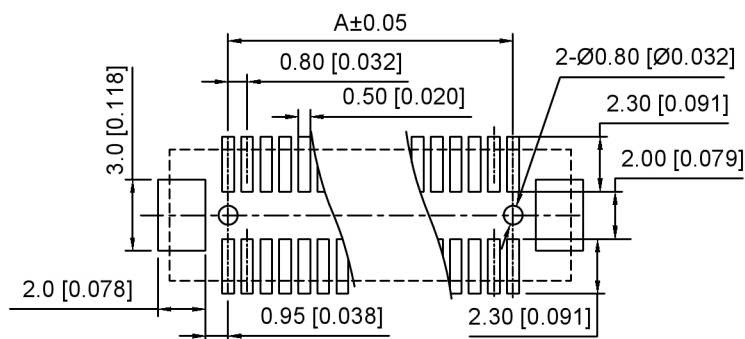
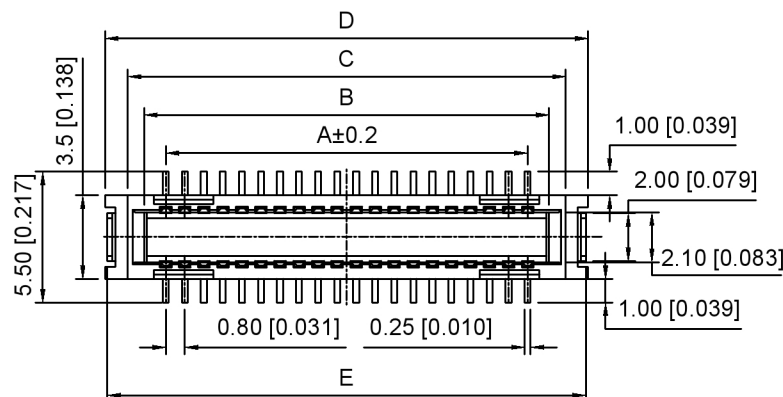
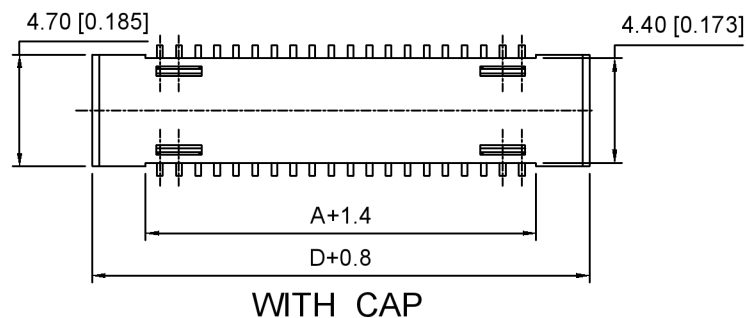
Specifications:

规格:  
 Voltage rating:50V AC/DC  
 额定电压: 50V AC/DC  
 Current rating:0.5A AC/DC  
 额定电流: 0.5A AC/DC  
 Withstanding voltage:250V AC/minute  
 耐受电压: 250V AC/分钟  
 Temperature range:-40°C-+105°C  
 温度范围: -40°C-+105°C  
 Insulation resistance:500MΩ  
 绝缘电阻: 500MΩ  
 Contact resistance:100mΩ  
 接触电阻: 100mΩ

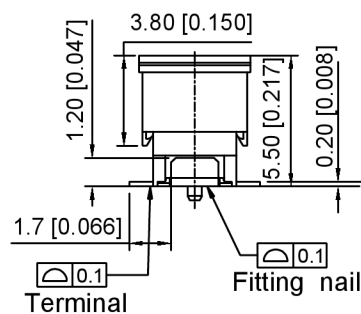
X0815 W V S - XX D S - 9T V01

① ② ③ ④ ⑤ ⑥ ⑦ ⑧ ⑨

- 1.Series No
- 2.Category:W-Wafer
- 3.Welding Board Angle:V-Stright 180°
- 4.Welding Way:S-SMT
- 5.Row No.Pin No:XX-30-80Pin
- 6.Category:D-4.8mm Height
- 7.Special No:S-With positioning column
- 8.Material:9T-PA9T UL94V-0  
CAP Material:PA6T UL94V-0
- 9.Plating:Gold Plated 3u" MIN



RECOMMENDED PCB LAYOUT



WITH CAP

Poles	Dimensions(mm)				
	A	B	C	D	E
30	11.20	13.00	14.40	16.30	16.10
40	15.20	17.00	18.40	20.30	20.10
50	19.20	21.00	22.40	24.30	24.20
60	23.20	25.00	26.40	28.30	28.10
70	27.20	29.00	30.40	32.30	32.10
80	31.20	33.00	34.40	36.30	36.10

X0815WS-XXDS-9TV01	PA9T	Phosphor Bronze	X0815FVS-A	9.75mm±0.5
			X0815FVS-B	6.0mm±0.5
PART NO	Material	Material(Pin)	Suitable XKB Wafer	Mating Height

DSND		SCALE: N/A	MODEL TYPE: 0.8mm BTB Connector
DWN		VIEW:	PART NO.:
CHKD		UNIT: mm/in	X0815WS-XXDS-9TV01
APPD		SIZE: A4	DWG NO.:
			X-X0815WS-XXDS-9TV01
			WEIGHT
			SHEET
			REVISION
			1/1
			A0



XKB INDUSTRIAL PRECISION CO.,LIMITED

广东星坤科技股份有限公司

MARK	DESCRIPTION	DATE	REVISED	APPROVED
Δx		日期		
Δx		日期		
Δx				

文件工程章

REVISIONS	UNSPECIFIED TOLERANCES
	ANGLAR ±5°
	L ≤ 4 ±0.2
	4 < L ≤ 16 ±0.3
	16 < L ≤ 63 ±0.4
	L > 63 ±0.5

www.helloxkb.com www.helloxkb.cn www.xk-dg.cn

## X-ON Electronics

Largest Supplier of Electrical and Electronic Components

*Click to view similar products for [Board to Board & Mezzanine Connectors](#) category:*

*Click to view products by [XKB](#) manufacturer:*

Other Similar products are found below :

[589158040000018](#) [MDF7C-18P-2.54DSA\(55\)](#) [FCN-268F036-G/BD](#) [FCN-268M012-G/0D](#) [FCN-268M024-G/1D](#) [MIS-048-01-F-D-DP-K](#)  
[832-10-034-10-001000](#) [FX4C-80S-1.27DSA](#) [93696-330](#) [224393](#) [FCN-235D050-G/C](#) [210-93-314-41-105000](#) [MDF7-40DP-2.54DSA\(55\)](#)  
[55323-1519](#) [069159702701000](#) [101A10019X](#) [105061100000861+](#) [75140-7012](#) [87471-650](#) [1744382-4](#) [063209](#) [10124054-515LF](#) [68685-603](#)  
[8-1616154-3](#) [541371078](#) [IL-WX-10PB-HF-B-E1000E](#) [FX23-40P-0.5SV15B](#) [FCN-214J100-G/0](#) [354184](#) [P50-028-DDS-TG](#) [53309-2471](#)  
[54546-2071](#) [1586617-1](#) [504248-1210](#) [504248-2010](#) [1-1437355-2](#) [9159005551906](#) [NDS100-004-BF](#) [93696-730LF](#) [91922-31141LF](#) [505274-](#)  
[3440](#) [501493-2410](#) [504208-3410](#) [505006-0811](#) [505274-2040](#) [202436-1600](#) [202477-0414](#) [71660-7580](#) [73420-5192](#) [360-10-107-00-001000](#)