

For and on behalf of
KXB INDUSTRIAL PRECISION CO., LIMITED
 香港星坤工業精密有限公司

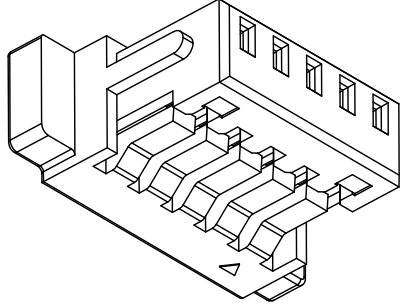
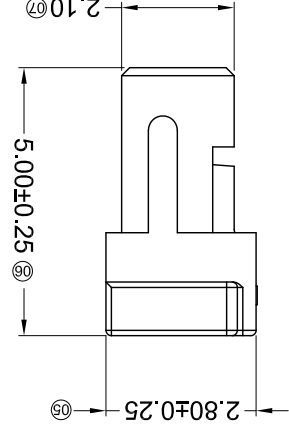
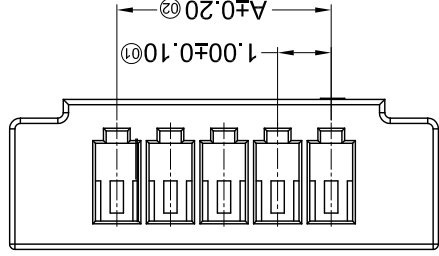
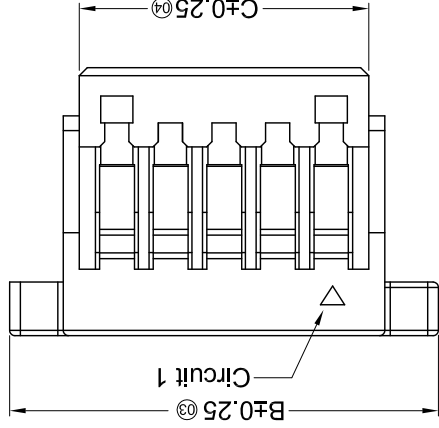
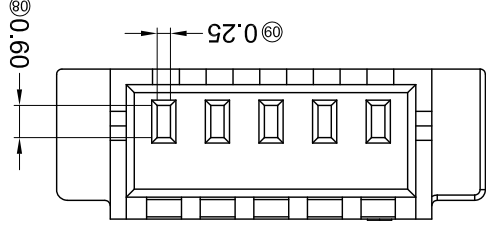
| MARK | DESCRIPTION | DATE | REVISED | APPROVED | UNSPECIFIED TOLERANCES |
|------|-------------|------|---------|----------|------------------------|
| △ X | | | | | L > 63 |
| △ X | | | | | 16 < L ≤ 63 |
| △ X | | | | | L ≤ 16 |
| △ X | | | | | L ≤ 4 |
| | | | | | ± 0.2 |
| | | | | | ANGULAR |
| | | | | | ± 5° |

| REVISION | SHEET | WEIGHT | SIZE | DATE | APPD |
|----------|-------|--------|------|------|------|
| A0 | 1/1 | 1.0g | A4 | | |

| REVISION | SHEET | WEIGHT | SIZE | DATE | CHKD |
|----------|-------|--------|------|------|------|
| A0 | 1/1 | 1.0g | A4 | | |

| REVISION | SHEET | WEIGHT | SIZE | DATE | DWN |
|----------|-------|--------|------|------|-----|
| A0 | 1/1 | 1.0g | A4 | | |

| REVISION | SHEET | WEIGHT | SIZE | DATE | DSND |
|----------|-------|--------|------|------|------|
| A0 | 1/1 | 1.0g | A4 | | |



| PART NO | Material | Suitable XKB Terminal |
|-------------------|----------------------------------|-----------------------|
| X1002H-XXE-PT | PBT UL 94V-0 | Suitable XKB Terminal |
| X1002H-XXE-N0 | PA66 UL 94V-0 | Suitable XKB Terminal |
| X1002H-XXE-N0HF | Halogen Free PA66 UL 94V-0 | Suitable XKB Terminal |
| X1002H-XXE-PGN0HF | Halogen Free P-640PG3G-NC(15%GF) | Suitable XKB Terminal |

| Poles | Dimensions(mm) | | |
|-------|----------------|-------|-------|
| | A | B | C |
| 02 | 1.00 | 5.00 | 2.40 |
| 03 | 2.00 | 6.00 | 3.40 |
| 04 | 3.00 | 7.00 | 4.40 |
| 05 | 4.00 | 8.00 | 5.40 |
| 06 | 5.00 | 9.00 | 6.40 |
| 07 | 6.00 | 10.00 | 7.40 |
| 08 | 7.00 | 11.00 | 8.40 |
| 09 | 8.00 | 12.00 | 9.40 |
| 10 | 9.00 | 13.00 | 10.40 |
| 11 | 10.00 | 14.00 | 11.40 |
| 12 | 11.00 | 15.00 | 12.40 |

- ① Series No.
 ② Category: H-HSG
 ③ Welding Board Angle: Blank-ordinary
 ④ Row No.-Pin No.: XX-02P-24P
 ⑤ Plug the Pin & special No.: E-Have ears
 ⑥ Material: PT-PBT; N0-PA66 94V-0
 PGN0-P-640PG3G-NC(15%GF)
 ⑦ Color: Blank-natural color
 ⑧ HF- Halogen Free; Blank- Halogen
- X1002 H X-XX E-XX XX XX
- ① ② ③ ④ ⑤ ⑥ ⑦ ⑧

- Specifications :
- Voltage rating: 50V AC / DC
 - Current rating: 1A AC / DC
 - Withstanding voltage: 500V AC/minute
 - Temperature range: -25°C~+85°C
 - Insulation resistance: ≥100MΩ
 - Contact resistance: ≤20mΩ
 - After environmental testing: ≤40mΩ

X-ON Electronics

Largest Supplier of Electrical and Electronic Components

Click to view similar products for [Headers & Wire Housings](#) category:

Click to view products by [XKB](#) manufacturer:

Other Similar products are found below :

[95000-104TRLF](#) [10135584-644402LF](#) [DF62W-EP2022PCA](#) [95000-106TRLF](#) [DF62W-2022SCA](#) [DF62W-EP2022PC](#) [2203348](#) [DF62W-2022SC](#) [1084018](#) [1029039](#) [1084017](#) [802-10-012-10-002000](#) [1112640](#) [1112639](#) [891-007-9SS-BST1T](#) [000-34000](#) [0008550134](#) [0009482033](#) [0009507031](#) [57102-F02-18ULF](#) [57102-S06-03LF](#) [57202-S52-04LF](#) [PCN6-15S-2.5E](#) [0039019024](#) [58102-G61-06LF](#) [582553-1](#) [0009485154](#) [0009508121](#) [0022285053](#) [0050291907](#) [018731A](#) [LY20-4P-DT1-P1E-BR](#) [02.125.8002.8](#) [60101931](#) [60598-1 \(Cut Strip\)](#) [M1625-3R/100](#) [61062-3](#) [61082-181009](#) [CSU011177004](#) [636-1427](#) [638009-1](#) [641938-9](#) [641991-4](#) [644168-1](#) [644827-2](#) [647662-1](#) [65039-019ELF](#) [65692-001LF](#) [65781-018](#) [65781-047](#)