

For and on behalf of  
**KXB INDUSTRIAL PRECISION CO., LIMITED**  
 香港星坤工業精密有限公司

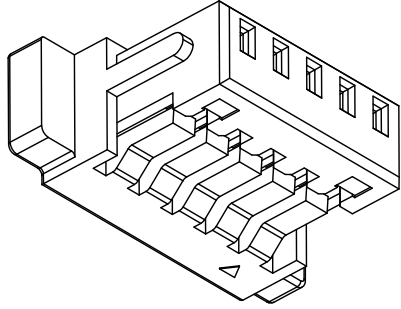
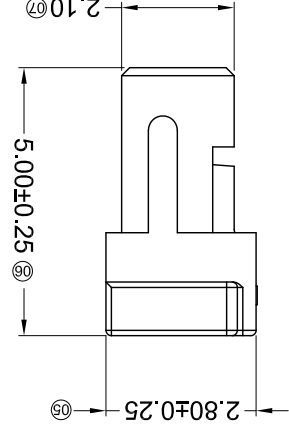
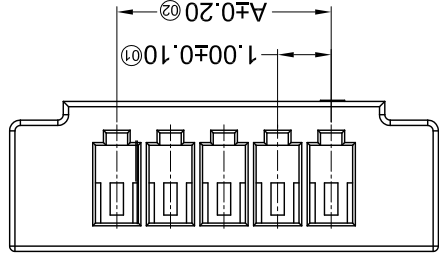
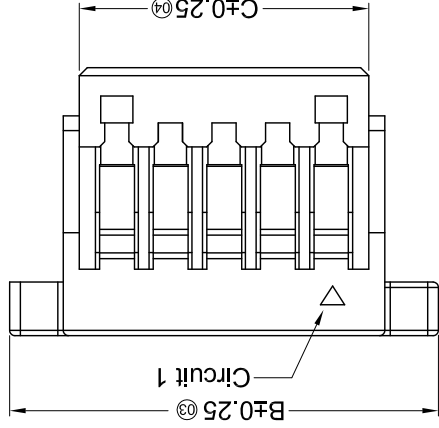
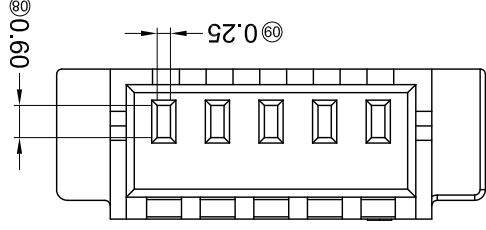
MARK	DESCRIPTION	DATE	REVISD	APPROVED	UNSPCIFIED TOLERANCES
△ X					L > 63
△ X					16 < L ≤ 63
△ X					L ≤ 16
					L ≤ 4
					ANGULAR

REVISION	SHEET	WEIGHT	SIZE	DATE	APPD
A0	1/1	1.0g	A4		

REVISION	SHEET	WEIGHT	SIZE	DATE	CHKD
A0	1/1	1.0g	A4		

REVISION	SHEET	WEIGHT	SIZE	DATE	DWN
A0	1/1	1.0g	A4		

REVISION	SHEET	WEIGHT	SIZE	DATE	DSND
A0	1/1	1.0g	A4		



PART NO	Material	Suitable XKB Terminal
X1002H-XXE-PT	PBT UL 94V-0	Suitable XKB Terminal
X1002H-XXE-N0	PA66 UL 94V-0	Suitable XKB Terminal
X1002H-XXE-N0HF	Halogen Free PA66 UL 94V-0	Suitable XKB Terminal
X1002H-XXE-PGN0HF	Halogen Free P-640PG3G-NC(15%GF)	Suitable XKB Terminal

Poles	Dimensions(mm)		
	A	B	C
02	1.00	5.00	2.40
03	2.00	6.00	3.40
04	3.00	7.00	4.40
05	4.00	8.00	5.40
06	5.00	9.00	6.40
07	6.00	10.00	7.40
08	7.00	11.00	8.40
09	8.00	12.00	9.40
10	9.00	13.00	10.40
11	10.00	14.00	11.40
12	11.00	15.00	12.40

- ① Series No.  
 ② Category: H-HSG  
 ③ Welding Board Angle: Blank-ordinary  
 ④ Row No.-Pin No.: XX-02P-24P  
 ⑤ Plug the Pin & special No.: E-Have ears  
 ⑥ Material: PT-PBT; N0-PA66 94V-0  
 PGN0-P-640PG3G-NC(15%GF)  
 ⑦ Color: Blank-natural color  
 ⑧ HF- Halogen Free; Blank- Halogen
- X1002 H X-XX E-XX XX XX
- ① ② ③ ④ ⑤ ⑥ ⑦ ⑧

- Specifications :
- Voltage rating: 50V AC / DC
  - Current rating: 1A AC / DC
  - Withstanding voltage: 500V AC/minute
  - Temperature range: -25°C~+85°C
  - Insulation resistance: ≥100MΩ
  - Contact resistance: ≤20mΩ
  - After environmental testing: ≤40mΩ

## X-ON Electronics

Largest Supplier of Electrical and Electronic Components

*Click to view similar products for [Headers & Wire Housings](#) category:*

*Click to view products by [XKB](#) manufacturer:*

Other Similar products are found below :

[95000-104TRLF](#) [10135584-644402LF](#) [DF62W-EP2022PCA](#) [95000-106TRLF](#) [DF62W-2022SCA](#) [DF62W-EP2022PC](#) [2203348](#) [DF62W-2022SC](#) [1084018](#) [1029039](#) [1084017](#) [802-10-012-10-002000](#) [1112640](#) [1112639](#) [891-007-9SS-BST1T](#) [000-34000](#) [0008550134](#) [0009482033](#) [0009507031](#) [57102-F02-18ULF](#) [57102-S06-03LF](#) [57202-S52-04LF](#) [PCN6-15S-2.5E](#) [0039019024](#) [58102-G61-06LF](#) [582553-1](#) [0009485154](#) [0009508121](#) [0022285053](#) [0050291907](#) [018731A](#) [LY20-4P-DT1-P1E-BR](#) [02.125.8002.8](#) [60101931](#) [60598-1 \(Cut Strip\)](#) [M1625-3R/100](#) [61062-3](#) [61082-181009](#) [CSU011177004](#) [636-1427](#) [638009-1](#) [641938-9](#) [641991-4](#) [644168-1](#) [644827-2](#) [647662-1](#) [65039-019ELF](#) [65692-001LF](#) [65781-018](#) [65781-047](#)