

For and on behalf of
XKB INDUSTRIAL PRECISION CO., LIMITED
 香港星坤工業精密有限公司

Authorized Signature(s)

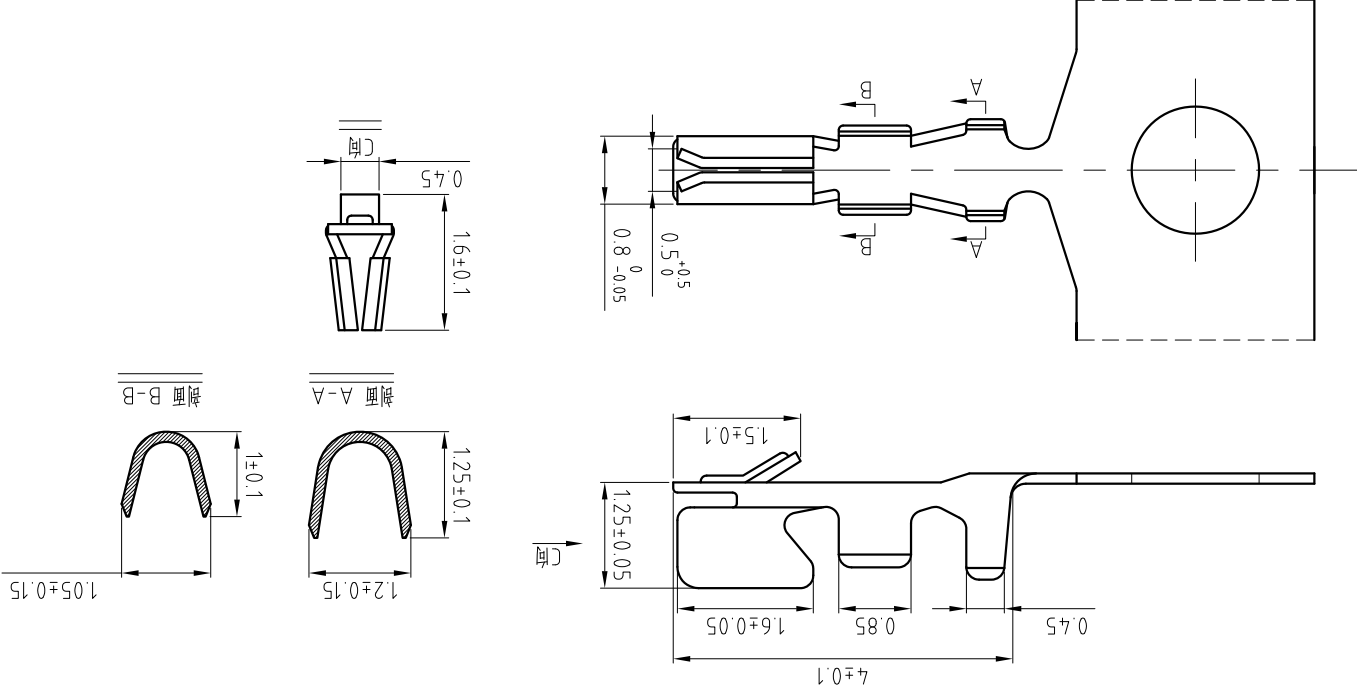
MARK	DESCRIPTION	DATE	REVISED	APPROVED	UNSPECIFIED TOLERANCES
△ X					$L > 63$
△ X					$16 < L \leq 63$
△ X					$4 < L \leq 16$
△ X					$L \leq 4$
					ANGULAR
					$\pm 5^\circ$

DSND	DATE	SCALE: N/A	MODEL TYPE: X1002T-PXX-E
APPD	DATE <td>SIZE: A4</td> <td></td>	SIZE: A4	
CHKD	DATE <td>UNIT: mm</td> <td>DWG NO.:</td>	UNIT: mm	DWG NO.:
DWN	DATE <td>VIEW: </td> <td>PART NO.:</td>	VIEW: 	PART NO.:
			1.00 mm Crimp Style Connectors
			WEIGHT 1.0g
			SHEET 1/1
			REVISION AO

PART NO	Material	Wire Range	Insulation O.D.	Finish	Suitable XKB Terminal
X1002T-PV03-E	Phosphor Bronze AWG#26-32	0.80mm(Max)		Stamping Before Plating:30-50u" Ni:Whole Gold :3u" Min.	X1002H
X1002T-PV01-E				Stamping Before Plating:30-50u" Ni:Whole Gold :Solid Flash	
X1002T-PSN2-E				Stamping Before Plating:50u" Min Ni:120u"Sn Min	
X1002T-PSN-E				Stamping Before Plating:30-50u" Ni:70-120u"Sn	

- X1002 T X-P XX X-X -E**
- ① Series Number
 ② Category: T-terminal
 ③ Shape: Blank-ordinary
 ④ Material: P-Phosphor bronze
 ⑤ Plating style:
 V*-All Gold-Plated ; *01-Gold Flash ; *03-3u"
 SN-Bright tin plating 70-120u"
 SN2-Bright tin plating 120u"Min. Ni : 50u" Min.
 ⑥ Plating method:
 Blank-Stamping before plating
 B-Plating before stamping
 ⑦ Mold No./Mark/Special No.
 ⑧ Plug the Pin & special No.: E-Have ears

- **Specifications :**
- Voltage rating: 50V AC / DC
 - Current rating: 1A AC / DC
 - Withstanding voltage: 500V AC/minute
 - Temperature range: -25°C~+85°C
 - Insulation resistance: $\geq 100M\Omega$
 - Contact resistance: $\leq 20m\Omega$
 - After environmental testing: $\leq 40m\Omega$



X-ON Electronics

Largest Supplier of Electrical and Electronic Components

Click to view similar products for [Terminals](#) category:

Click to view products by [XKB](#) manufacturer:

Other Similar products are found below :

[HT-13-10](#) [71M-250-32-NB](#) [01-2065-1-0216](#) [00581P0075](#) [M10-10RX](#) [M10BCK](#) [60205-1](#) [604200-1](#) [60598-1-CUT-TAPE](#) [60617-1-C](#) [60873-1](#) [M14-516R/SK](#) [M14-6RSX](#) [M18-10FLX](#) [M18-8FBX](#) [M18-8R/LX](#) [M18BCK](#) [61314-6-C](#) [61-S](#) [61-SN-A](#) [62-NBM-A](#) [63-S](#) [640179-1](#) [640917-2-CUT-TAPE](#) [6501550002](#) [66107-2-C](#) [66107-4-C](#) [696683-1](#) [696834-1](#) [696861-1](#) [696931-1](#) [696999-1](#) [M8-516RK](#) [M86700006](#) [MA250DMFMX-A](#) [701-2007](#) [701-2307](#) [701-7761-03](#) [70F-110-32-PB](#) [718-N-A](#) [71M-187-20-NBL](#) [71M-250-32-NBL](#) [72F-187-20-NBL](#) [72M-250-32-NBL](#) [7310](#) [73F-250-32](#) [73F-250-32-NBL](#) [73F-250-32-NL](#) [F14-10C](#) [F-1M](#)