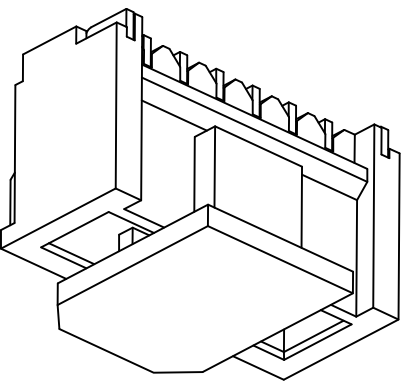
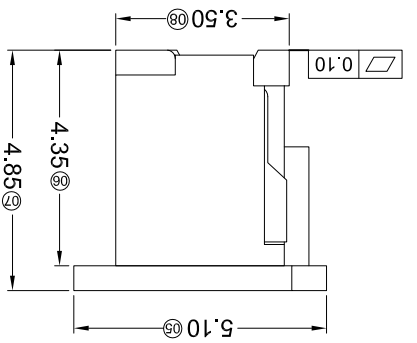
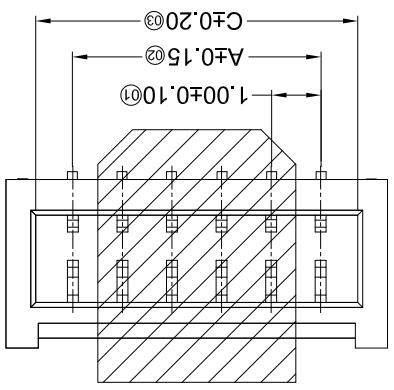
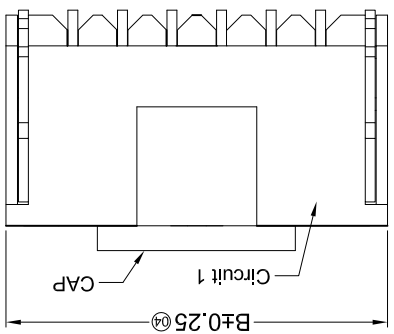
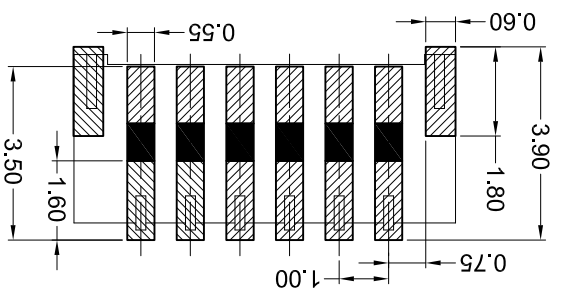


For and on behalf of
XKB INDUSTRIAL PRECISION CO., LIMITED
 香港星坤工業精密有限公司

MARK	DESCRIPTION	DATE	REVISD	APPROVED	UNSPCIFIED TOLERANCES
△ X					± 0.5
△ X					$16 > L \leq 63$
△ X					$4 < L \leq 16$
					$L \leq 4$
					± 0.2
					ANGULAR
					$\pm 5^\circ$

REVISION	SHEET	WEIGHT	SIZE	DATE	DATE	DATE	DATE
A0	1/1	1.0g	A4				

Recommended P.C.B Layout
 General Tolerance: ± 0.05



PART NO	Material	(Pin And Solder Cap)	Material	(Pin And Solder Tabs)	Finish	Suitable XKB Terminal
X1002W/S-XXB-9T-SN	PA 9T UL 94V-0		Phosphor Bronze	Thi-Paldd		1002HB
X1002W/S-XXB-9T-SW	PA 9T UL 94V-0		Phosphor Bronze	Thi-Paldd		1002HB
X1002W/S-XXB-HT-SW	HTN PA9T UL 94V-0		Phosphor Bronze	Thi-Paldd		1002HB
X1002W/S-XXB-1T-SW	PA10T UL 94V-0		Phosphor Bronze	Thi-Paldd		1002HB
PA9T UL 94V-0	X1002W/S-XXBHF-9T-SW		Phosphor Bronze	Thi-Paldd		1002HB

Poles	Dimensions(mm)	A	B	C	Poles	A	B	C
02	1.00	3.70	2.50	12	11	10.00	12.70	11.50
03	2.00	4.70	3.50	13	10	9.00	11.70	10.50
04	3.00	5.70	4.50	14	09	8.00	10.70	9.50
05	4.00	6.70	5.50	15	08	7.00	9.70	8.50
06	5.00	7.70	6.50	16	07	6.00	8.70	7.50
07	6.00	8.70	7.50	17	06	5.00	7.70	6.50
08	7.00	9.70	8.50	18	05	4.00	6.70	5.50
09	8.00	10.70	9.50	19	04	3.00	5.70	4.50
10	9.00	11.70	10.50	20	03	2.00	4.70	3.50
11	10.00	12.70	11.50	21	02	1.00	3.70	2.50

① Series No.
 ② Category: W-water
 ③ Welding Board Angle: V-Stright Angle 180°
 ④ Welding Way: S-SMT
 ⑤ Row No.-Pin No.: XX-02P~20P
 ⑥ Plug the Pin & Special NO:
 B-With ultra-thin and With Lock;
 HF-Halgen Free
 ⑦ Material: 9T-PA9T ; HT-HTN 6T ; 1T-PA10T
 ⑧ Planting Category:
 SN-Bright tin plating 70"Min.; 30" NI
 SW-Matte Tin plating 70"Min.; 30" NI
 ⑨ Color: Blank-Natural color

X1002 W V S-XX B-XX XX XX

- Voltage rating: 125V AC / DC
- Current rating: 1A AC / DC
- Withstanding voltage: 500V AC/minute
- Temperature range: -25°C~+85°C
- Insulation resistance: $\geq 100M\Omega$
- Contact resistance: $\leq 20m\Omega$
- After environmental testing: $\leq 40m\Omega$

■ Specifications :

For and on behalf of
XKB INDUSTRIAL PRECISION CO., LIMITED
 香港星洲工業精密有限公司

MARK	DESCRIPTION	DATE	REVISD	APPROVED	UNSPCIFIED TOLERANCES
△ X					±0.5
△ X					16 > L ≤ 63
△ X					4 < L ≤ 16
△ X					L ≤ 4
					ANGULAR
					±5°

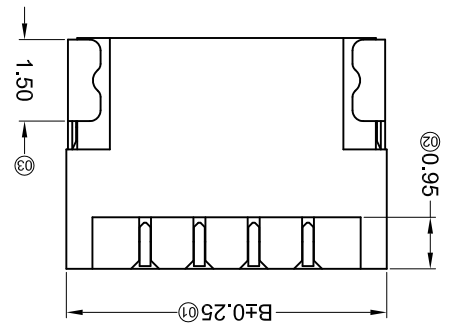
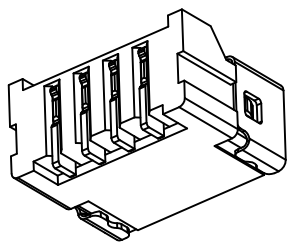
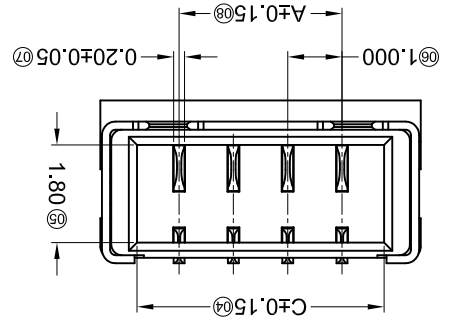
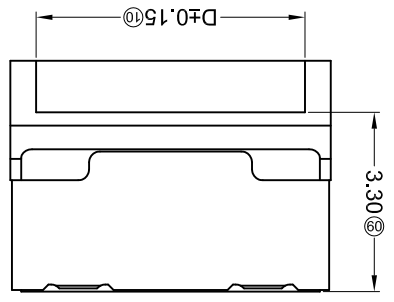
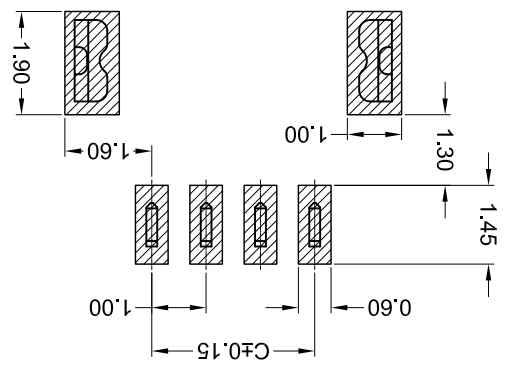
REVISIONS	UNSPCIFIED TOLERANCES	
REVISED	APPROVED	DATE
APPROVED	DATE	DATE

WEIGHT	1.0g
SHEET	1/1
REVISION	A0

MODEL TYPE:	X1002WRS-XXBS-LPSW
PART NO.:	X1002WRS-XXBS-LPSW
VIEW:	VIEW: A4
UNIT:	UNIT: mm
SCALE:	SCALE: N/A

PART NO	X1002WRS-XXBS-LPSW	LCP 94V-0	Phosphor Bronze	Matte Plating	Alloy Steel	Nickel Plating	Suitable XKB
Material(Water)	Material(Pin)	Finish(Pin)	Material(Shell)	Finish(Shell)	Material(Shell)	Finish(Shell)	Suitable XKB

Recommended P.C.B Layout
 General Tolerance±0.05



Poles	Dimensions (mm)			
12	11.00	13.90	12.50	12.95
06	5.00	7.90	6.50	6.95
04	3.00	5.90	4.50	4.95
03	2.00	4.90	3.50	3.95
	A	B	C	D

- ① Series No.
- ② Category: W-water
- ③ Welding Board Angle: R- Right Angle 90°
- ④ Welding Way: S-SMT
- ⑤ Row No.-Pin No.: XX-Single Row
- ⑥ Plug the Pin & Special NO:
- ⑦ B-With ultra-thin and With Lock
- ⑧ S-With Shell
- ⑨ Material: LP-LCP 94V-0
- ⑩ Planting Category:SW-Matte Tin plating
- ⑪ Color: Blank-Natural color

- Specifications :
- Voltage rating: 125V AC / DC
 - Current rating: 1A AC / DC
 - Withstanding voltage: 500V AC/minute
 - Temperature range: -25°C~+85°C
 - Insulation resistance: ≥100MΩ
 - Contact resistance: ≤20mΩ
 - After environmental testing: ≤40mΩ

X1002 W R S-XX BS-LP SW XX

① ② ③ ④ ⑤ ⑥ ⑦ ⑧ ⑨

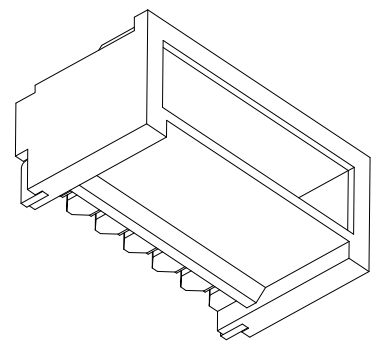
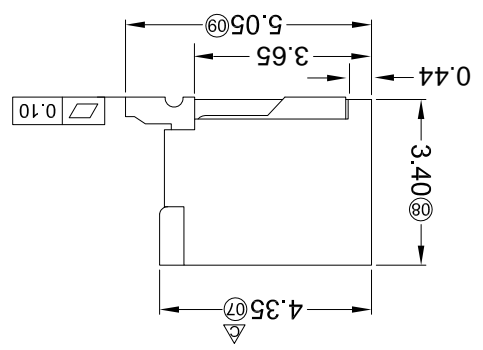
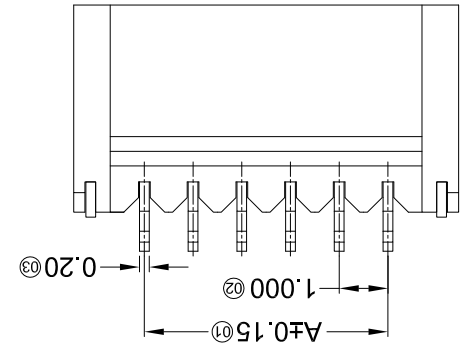
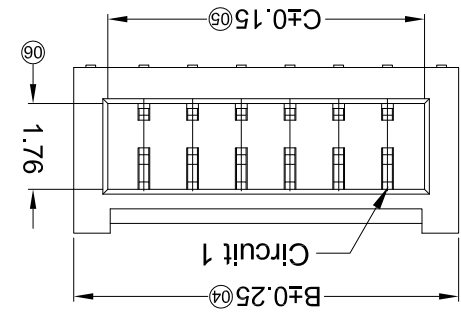
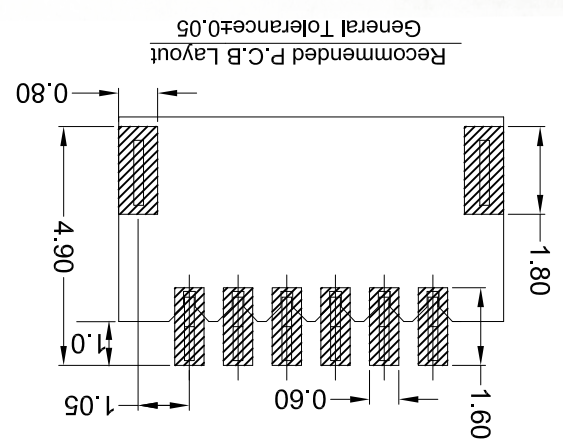
For and on behalf of
KXB INDUSTRIAL PRECISION CO., LIMITED
 香港星洲工業精密有限公司
 REVISIONS
 UNSPECIFIED TOLERANCES

MARK	DESCRIPTION	DATE	REVISD	APPROVED	UNSPECIFIED TOLERANCES
△ X					L > 63
△ X					16 < L ≤ 63
△ X					4 < L ≤ 16
△ X					L ≤ 4
					ANGULAR
					± 5°

REVISION	SHEET	WEIGHT	SIZE: A4	DATE	DATE	DATE	DATE
A0	1/1	1.0g					

APPD	CHKD	DWN	DSND

MODEL TYPE:	SCALE: N/A	VIEW:	UNIT: mm	DWG NO.:	PART NO.:
X1002WRS-XXB-XXSW		⑩		1.00 mm Crimp Style Connectors	

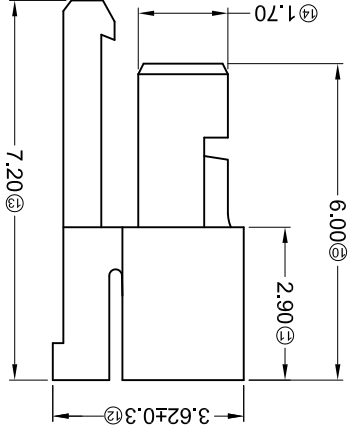
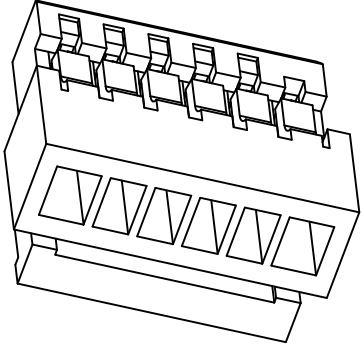
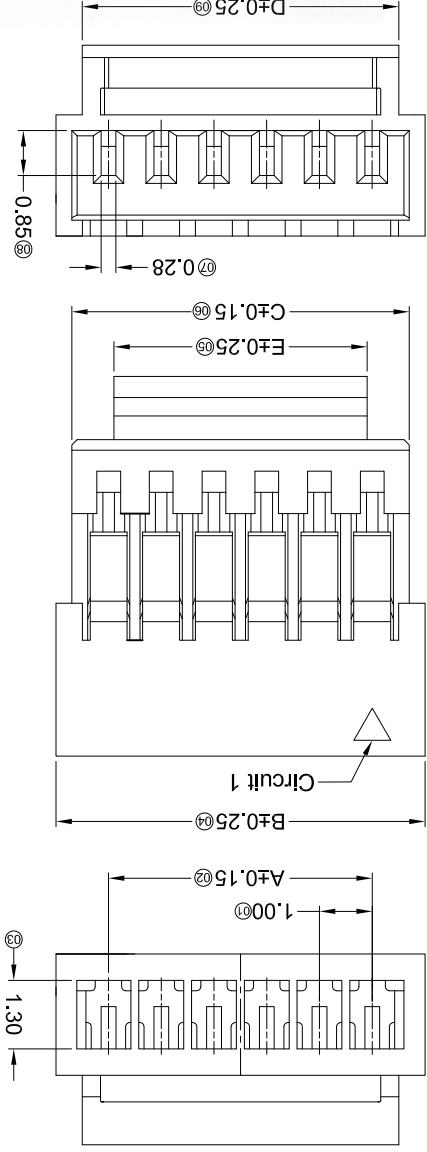


PART NO	Material	Material (Pin And Solder Tabs)	Finish
X1002WRS-XXBH-F9T5W	PA9T UL 94V-0	PA9T UL 94V-0	Tri-Plated
X1002WRS-XXB-T15W	PA 10T UL 94V-0	HTN 6T UL 94V-0	Matte Tin Plating
X1002WRS-XXB-HT5W	HTN 6T UL 94V-0	HTN 6T UL 94V-0	Matte Tin Plating
X1002WRS-XXB-9T5W	PA9T UL 94V-0	PA9T UL 94V-0	Tri-Plated

Poles	Dimensions (mm)		
	A	B	C
02	1.00	3.90	2.50
03	2.00	4.90	3.50
04	3.00	5.90	4.50
05	4.00	6.90	5.50
06	5.00	7.90	6.50
07	6.00	8.90	7.50
08	7.00	9.90	8.50
09	8.00	10.90	9.50
10	9.00	11.90	10.50
11	10.00	12.90	11.50

- ① Series No.
 ② Category: W-water
 ③ Welding Board Angle: R- Right Angle 90°
 ④ Welding Way: S-SMT
 ⑤ Row No.-Pin No.: XX-02P~20P
 ⑥ Plug the Pin & Special NO.: B-Ultra-thin With Lock
 ⑦ HF-Halogen Free
 ⑧ Material: 9T-PA9T ; 1T-PA10T ; HT-TN 6T 94V-0
 ⑨ Plating Category:
 SN-Bright tin plating 70" Min.; 30" Ni Min.
 SW-Matte Tin plating 70" Min.; 30" Ni Min.
 ⑩ Color: Blank-Natural color

- Specifications :
- Voltage rating: 125V AC / DC
 - Current rating: 1A AC / DC
 - Withstanding voltage: 500V AC/minute
 - Temperature range: -25°C~+85°C
 - Insulation resistance: ≥100MΩ
 - Contact resistance: ≤20mΩ
 - After environmental testing: ≤40mΩ



Poles	Dimensions(mm)				
	A	B	C	D	E
06	5.00	7.00	6.40	6.00	4.80
07	6.00	8.00	7.40	6.00	4.80
08	7.00	9.00	8.40	6.00	4.80
09	8.00	10.00	9.40	6.00	4.80
10	9.00	11.00	10.40	6.00	4.80
11	10.00	12.00	11.40	6.00	4.80
12	11.00	13.00	12.40	6.00	4.80
13	12.00	14.00	13.40	6.00	4.80
14	13.00	15.00	14.40	6.00	4.80
15	14.00	16.00	15.40	6.00	4.80
16	15.00	17.00	16.40	6.00	4.80
17	16.00	18.00	17.40	6.00	4.80
18	17.00	19.00	18.40	6.00	4.80
19	18.00	20.00	19.40	6.00	4.80
20	19.00	21.00	20.40	6.00	4.80

- ① Series No.
 ② Category: H-HSG
 ③ Row No.-Pin No.: XX-02P~20P
 ④ Plug the Pin & special No.:
 B4-Ultra-thin hook,6.00mm
 ⑤ Material: NO-PA66 94V-0
 ⑥ Color: Blank-Natural Color
 ⑦ HF-Halogen Free

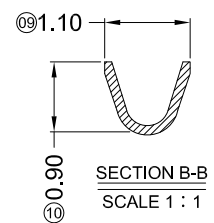
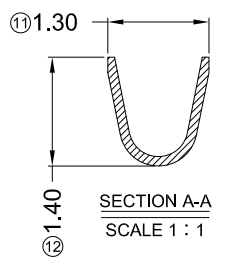
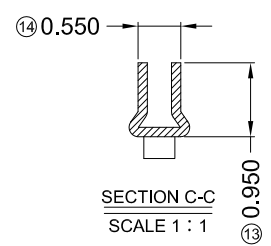
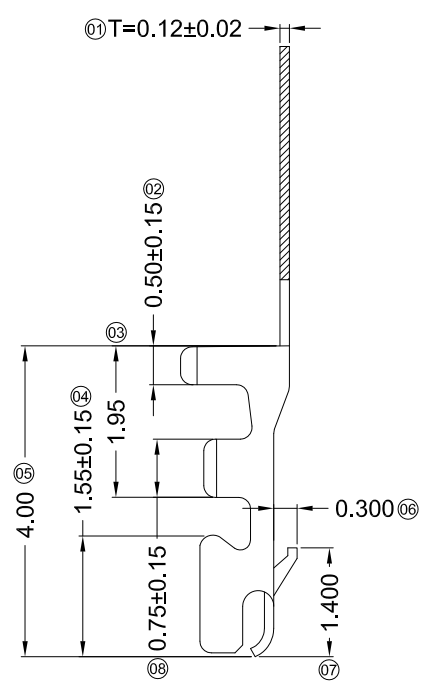
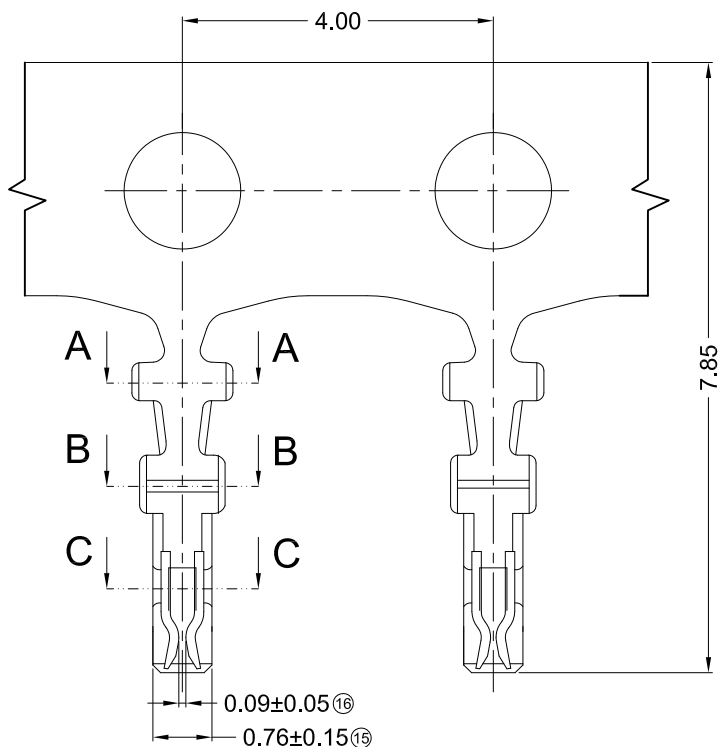
- Specifications :**
 • Voltage rating: 125 AC / DC
 • Current rating: 1A AC / DC
 • Withstanding voltage: 500V AC/minute
 • Temperature range: -25°C~+85°C
 • Insulation resistance: ≥100MΩ
 • Contact resistance: ≤20mΩ
 • After environmental testing: ≤40mΩ

PART NO	Material	Suitable XKB Terminal	Suitable XKB
X1002H-XXB4-N0HF	PA66 UL 94V-0 Halogen Free	1002T-A	1002W

DSNL DATE SCALE: N/A MODEL TYPE: X1002H-XXB4-N0HF		DWN DATE VIEW: PART NO.: 1.00 mm Crimp Style Connectors		CHKD DATE UNIT: mm DWG NO.:		APPD DATE SIZE: A4		REVISIONS UNspecified TOLERANCES	
MARK	DESCRIPTION	DATE	REVISD	APPROVED	UNSPecIFIED TOLERANCES	DATE	REVISED	APPROVED	REVISIONS
△ X					L > 63				
△ X					16 < L ≤ 63				
△ X					4 < L ≤ 16				
△ X					L ≤ 4				
					±0.2				
					ANGULAR				
					±5°				

For and on behalf of
XKB INDUSTRIAL PRECISION CO., LIMITED
 香港星坤工業精密有限公司
 Authorized Signatures(s)

WEIGHT	1.0g
SHEET	1/1
REVISION	A0



- Specifications :**
- Voltage rating: 125V AC / DC
 - Current rating: 1A AC / DC
 - Withstanding voltage: 500V AC/minute
 - Temperature range: -25°C~+85°C
 - Insulation resistance: ≥100MΩ
 - Contact resistance: ≤20mΩ
 - After environmental testing: ≤40mΩ

X1002 T X-P XX X

- ① Series Number
 ② Category: T-terminal
 ③ Shape: Blank-ordinary
 ④ Material: P-Phosphor bronze
 ⑤ Plating Style:
 V01-All Gold Flash
 SN-Bright tin plating 70u" ; 30u" Ni
 SN2-50u" Ni Min, 120u" Tin Min
 ⑥ Plating method: Blank-Stamping before plating

X1002T-PSN2	Phospho Bronze	AWG#28-32	0.92mm	Stamping Before Plating:50u" Min Ni ; 120u"Sn Min	1002H-A, 1002H-B
X1002T-PV01				Stamping Before Plating:30u" Ni ; Whole Gold :Gold Flash	
X1002T-PSN				Stamping Before Plating:30u" Ni ; 70u"Sn	
PART NO	Material	Wire Range	Insulation O.D.	Finish	Suitable XKB Terminal

For and on behalf of
XKB INDUSTRIAL PRECISION CO., LIMITED
 香港星坤工業精密有限公司

△ X					ANGULAR	±5°
△ X					L ≤ 4	±0.2
△ X					4 < L ≤ 16	±0.3
MARK	DESCRIPTION	DATE	REVISED	APPROVED	16 < L ≤ 63	±0.4
					L > 63	±0.5
REVISIONS					UNSPECIFIED TOLERANCES	
Authorized Signature(s)					XKB INDUSTRIAL PRECISION CO., LIMITED	

DSND		DATE		SCALE: N/A	MODEL TYPE:
DWN		DATE		VIEW:	1.00 mm Crimp Style Connectors
CHKD		DATE		UNIT: mm	PART NO.:
APPD		DATE		SIZE: A4	X1002T-PXX
					DWG NO.:
			WEIGHT	SHEET	REVISION
			1.0g	1/1	A0

X-ON Electronics

Largest Supplier of Electrical and Electronic Components

Click to view similar products for [Headers & Wire Housings](#) category:

Click to view products by [XKB](#) manufacturer:

Other Similar products are found below :

[95000-104TRLF](#) [10135584-644402LF](#) [DF62W-EP2022PCA](#) [95000-106TRLF](#) [DF62W-2022SCA](#) [DF62W-EP2022PC](#) [2203348](#) [DF62W-2022SC](#) [1084018](#) [1029039](#) [1084017](#) [802-10-012-10-002000](#) [1112640](#) [1112639](#) [891-007-9SS-BST1T](#) [000-34000](#) [0008550134](#) [0009482033](#) [0009507031](#) [57102-F02-18ULF](#) [57102-S06-03LF](#) [57202-S52-04LF](#) [PCN6-15S-2.5E](#) [0039019024](#) [58102-G61-06LF](#) [582553-1](#) [0009485154](#) [0009508121](#) [0022285053](#) [0050291907](#) [018731A](#) [LY20-4P-DT1-P1E-BR](#) [02.125.8002.8](#) [60101931](#) [60598-1 \(Cut Strip\)](#) [M1625-3R/100](#) [61062-3](#) [61082-181009](#) [CSU011177004](#) [636-1427](#) [638009-1](#) [641938-9](#) [641991-4](#) [644168-1](#) [644827-2](#) [647662-1](#) [65039-019ELF](#) [65692-001LF](#) [65781-018](#) [65781-047](#)