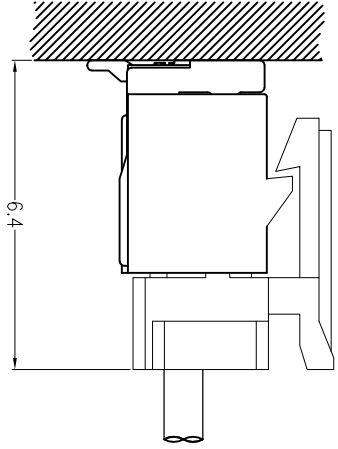
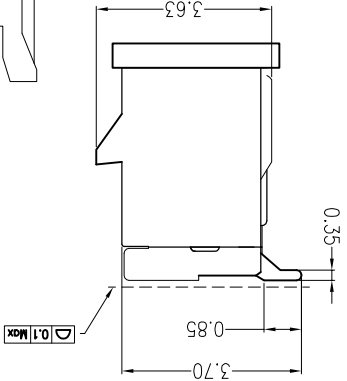
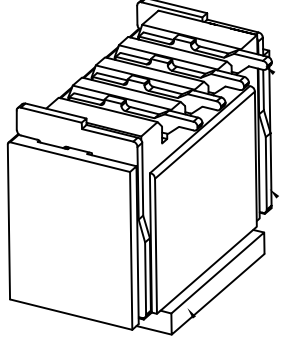
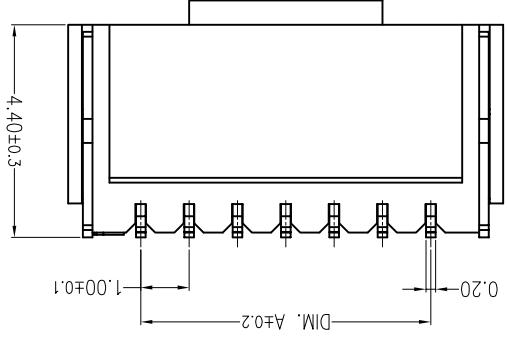
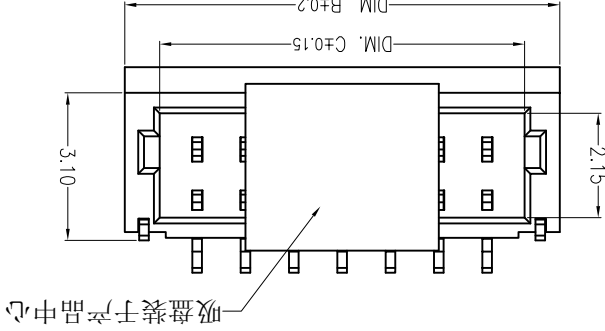
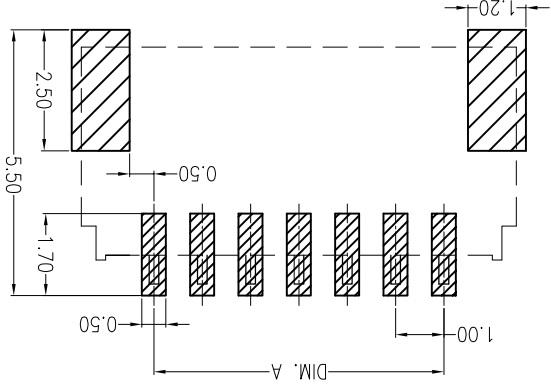


REVISIONS
UNSPECIFIED TOLERANCES

香港星坤工業精密有限公司
XKB INDUSTRIAL PRECISION CO., LIMITED

Recommend PCB Layout
for and on behalf of



PART NO	Material	Material(Pin And Solder Tabs)	Finish(Pin And Solder Tabs)	Suitable XKB Terminal
X1002WVS-XXL-HF-LPSW	Nylon 46 UL 94V-0	Brass	Tin-Plated	X1002H-L
X1002WVS-XXL-LPSWHF	Nylon 46 UL 94V-0	Brass	Tin-Plated	X1002H-L

Poles	Dimensions(mm)		
	A	B	C
02	1.00	4.00	2.50
03	2.00	5.00	3.50
04	3.00	6.00	4.50
05	4.00	7.00	5.50
06	5.00	8.00	6.50
07	6.00	9.00	7.50
08	7.00	10.00	8.50
09	8.00	11.00	9.50
Poles	Dimensions(mm)		
	A	B	C
10	9.00	12.00	10.50
11	10.00	13.00	11.50
12	11.00	14.00	12.50
13	12.00	15.00	13.50
14	13.00	16.00	14.50
15	14.00	17.00	15.50
16	15.00	18.00	16.50
19.00	22.00	20.50	

■ Specifications :

- Voltage rating: 50V AC / DC
- Current rating: 1A AC / DC
- Withstanding voltage: 500V AC/minute
- Temperature range: -25°C~+85°C
- Insulation resistance: ≥100MΩ
- Contact resistance: ≤20mΩ
- After environmental testing: ≤40mΩ

X1002 W V S-XX L-PSW-XX-XX
① ② ③ ④ ⑤ ⑥ ⑦ ⑧ ⑨ ⑩

- ① Series No.
- ② Category: W-water
- ③ Welding Board Angle: V-180°
- ④ Welding Way: S-SMT
- ⑤ Row No.-Pin No.: XX-Single row
- ⑥ Plug the Pin & Special NO.: L-With Lock
- ⑦ Material: LP-LCP 94V-0
- ⑧ Planting Category: SW-Matte Tin plating (Tin: 70u Min)
- ⑨ Color: Blank-natural color
- ⑩ HF-Halogen Free ; Blank-Halogen

MARK	DESCRIPTION	DATE	REVISED	APPROVED	UNSPECIFIED TOLERANCES
△ X					L > 63 ±0.5
△ X					16 < L ≤ 63 ±0.4
△ X					4 < L ≤ 16 ±0.3
△ X					L ≤ 4 ±0.2
					ANGULAR ±5°

DSND	DATE	SCALE: N/A	MODEL TYPE: X1002WVS-XXL-LPSWHF
CHKD <th>DATE</th> <th>UNIT: mm</th> <th>DWG NO.:</th>	DATE	UNIT: mm	DWG NO.:
APPD <th>DATE</th> <th>SIZE: A4</th> <th>REVISION</th>	DATE	SIZE: A4	REVISION

REVISIONS	Signature(s)

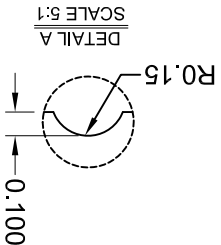
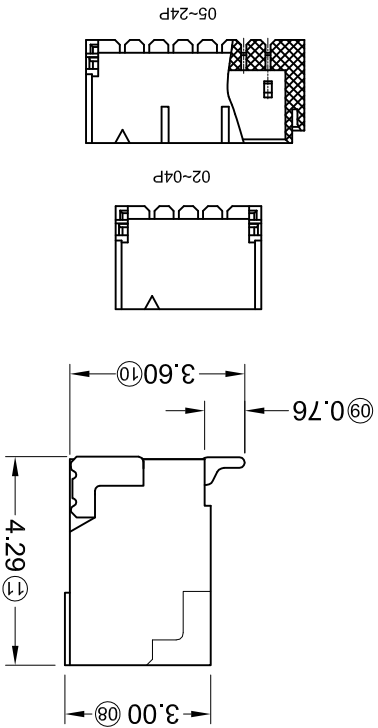
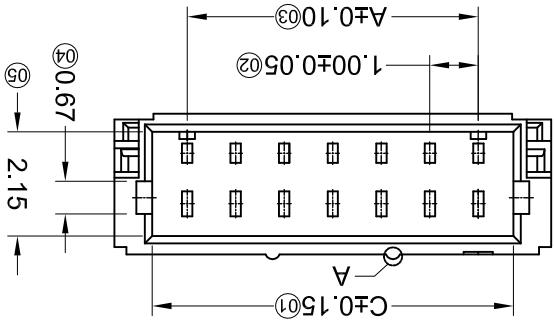
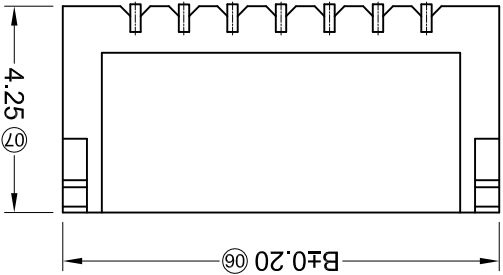
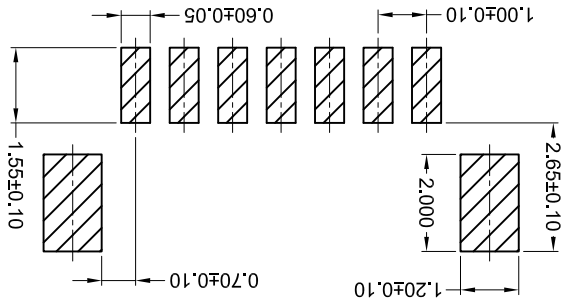
WEIGHT	SHEET	REVISION
1.0g	1/1	A0

For and on behalf of
XKB INDUSTRIAL PRECISION CO., LIMITED
 香港星坤工業精密有限公司

REVISIONS
 Authorized Signature(s)

MARK	DESCRIPTION	DATE	REVISED	APPROVED	UNSPECIFIED TOLERANCES
△ X					L > 63 ± 0.5
△ X					16 < L ≤ 63 ± 0.4
△ X					4 < L ≤ 16 ± 0.3
△ X					L ≤ 4 ± 0.2
					ANGULAR ± 5°

Recommend PCB Layout



PART NO	Material(Water And Cap)	Material(Fin And Solder Tabs)	Finish(Fin And Solder Tabs)	Suitable XKB Terminal
X1002WVS-XXHF-LPSN	LCP UL 94V-0 Halogen Free	Phosphor Bronze Or Brass	Tin-Plated	X1002H
X1002WVS-XX-6TSN	Nylon 6T UL 94V-0	Brass		

Poles	Dimensions(mm)			Poles	Dimensions(mm)		
	A	B	C		A	B	C
02	1.00	4.00	2.45	12	11.00	14.00	12.45
03	2.00	5.00	3.45	13	12.00	15.00	13.45
04	3.00	6.00	4.45	14	13.00	16.00	14.45
05	4.00	7.00	5.45	15	14.00	17.00	15.45
06	5.00	8.00	6.45	16	15.00	18.00	16.45
07	6.00	9.00	7.45	17	16.00	19.00	17.45
08	7.00	10.00	8.45	18	17.00	20.00	18.45
09	8.00	11.00	9.45	19	18.00	21.00	19.45
10	9.00	12.00	10.45	20	19.00	22.00	20.45
11	10.00	13.00	11.45	24	23.00	26.00	24.45

X1002 W V S-XX X-XX XXX XX

- ① Series No.
- ② Category: W-water
- ③ Welding Board Angle: V- Straight 180°
- ④ Welding Way: S-SMT
- ⑤ Row No./Pin No.: XX-02P~24P
- ⑥ Plug the Pin & Special No.
- ⑦ Material: 6T-PA6T 94V-0 ; LP-LCP 94V-0;
- ⑧ 9T-PA9T 94V-0
- ⑨ Planting Category: SN-Bright tin plating
- ⑩ Color: Blank-Natural Color

- Specifications :
- Voltage rating: 100V AC / DC
 - Current rating: 2A AC / DC
 - Withstanding voltage: 800V AC/minute
 - Temperature range: -25°C~+85°C
 - Insulation resistance: ≥1000MΩ
 - Contact resistance: ≤20mΩ
 - After environmental testing: ≤30mΩ

DSND	DATE	SCALE: N/A	MODEL TYPE: X1002WVS-XX-XXSN
CHKD	DATE <td>UNIT: mm</td> <td>DWG NO.:</td>	UNIT: mm	DWG NO.:
APPD	DATE <td>SIZE: A4</td> <td></td>	SIZE: A4	
REVISION SHEET 1/1			
WEIGHT 1.0g			
REVISION A0			

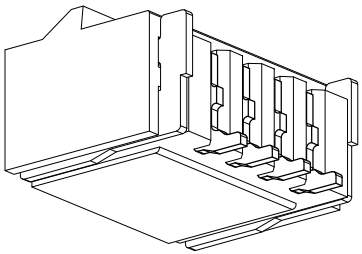
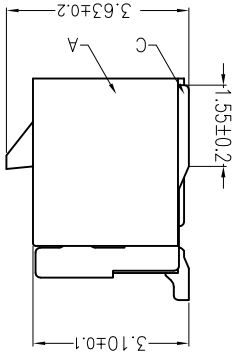
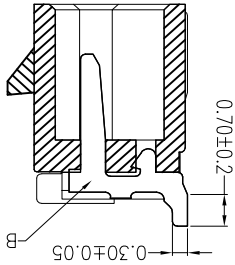
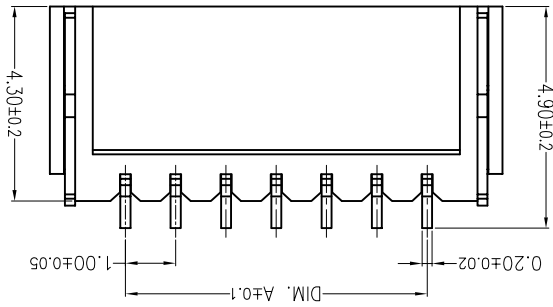
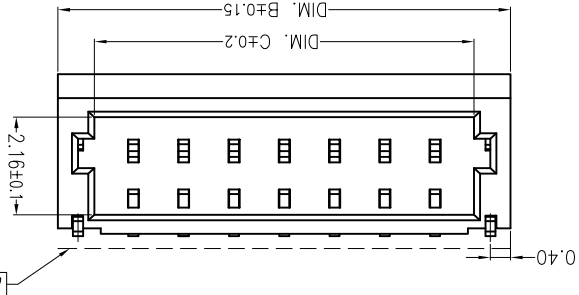
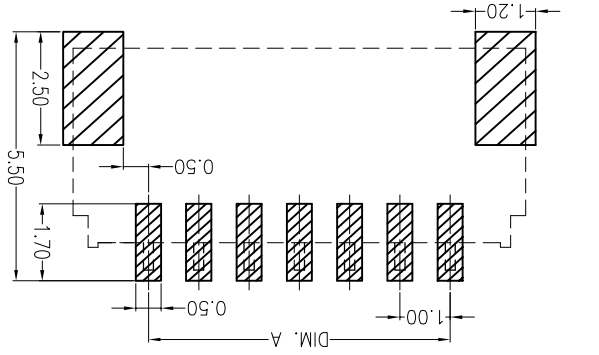
XKB INDUSTRIAL PRECISION CO., LIMITED

For and on behalf of
KXB INDUSTRIAL PRECISION CO., LIMITED
 香港星坤工業精密有限公司

REVISIONS
 Authorized Signatures(s)

MARK	DESCRIPTION	DATE	REVISED	APPROVED	UNSPECIFIED TOLERANCES
△ X					± 0.5
△ X					$16 < L \leq 63$
△ X					$4 < L \leq 16$
△ X					$L \leq 4$
					ANGULAR $\pm 5^\circ$

Recommend PCB Layout



PART NO	Material	Material (Pin And Solder Tabs)	Finish (Pin And Solder Tabs)	Suitable XKB Terminal
X1002WRS-XXL-LPSWHF	PA46 UL 94V-0	Brass	Bright tin plating	X 1002HL
X1002WRS-XXL-HF-LPSW	PA46 UL 94V-0	Brass	Bright tin plating	X 1002HL

Poles	Dimensions(mm)		Poles	Dimensions(mm)	
	A	B		C	A
02	1.00	4.00	10	9.00	12.00
03	2.00	5.00	11	10.00	13.00
04	3.00	6.00	12	11.00	14.00
05	4.00	7.00	13	12.00	15.00
06	5.00	8.00	14	13.00	16.00
07	6.00	9.00	15	14.00	17.00
08	7.00	10.00	16	15.00	18.00
09	8.00	11.00	20	19.00	22.00
					20.50

■ Specifications :

- Voltage rating: 50V AC / DC
- Current rating: 1A AC / DC
- Withstanding voltage: 500V AC/minute
- Temperature range: -25°C~+85°C
- Insulation resistance: ≥100MΩ
- Contact resistance: ≤20mΩ
- After environmental testing: ≤40mΩ

X1002 W R S-XX L-LPXX XX XX
 ① Series No.
 ② Category: W-water
 ③ Welding Board Angle: R-90°
 ④ Welding Way: S-SMT
 ⑤ Row No.-Pin No.: XX-02P~20P
 ⑥ Plug the Pin & Special No.: L-With Lock
 ⑦ Material: 6T-PA6T 94V-0; LP-LCP 94V-0;
 ⑧ 9T-PA9T 94V-0
 ⑨ Planting Category: SW-Matte Tin plating (Tin: 70u Min)
 ⑩ Color: Blank-natural color
 ⑪ HF-Halogen Free ; Blank-Halogen

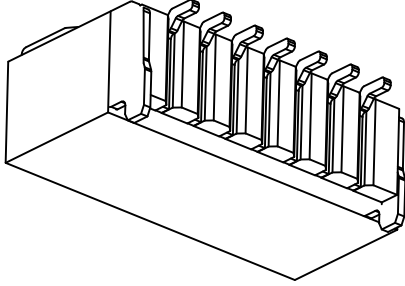
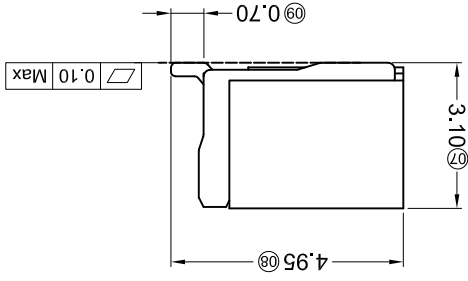
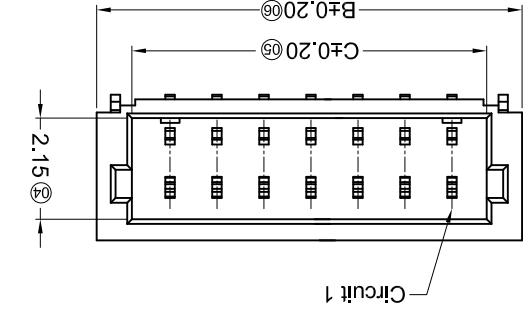
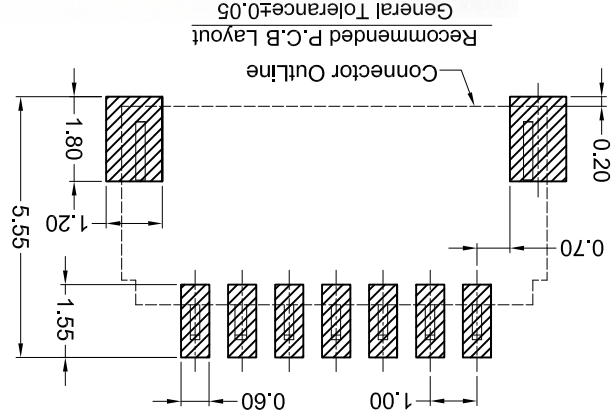
DSND	DATE	SCALE: N/A	MODEL TYPE: X1002WRS-XXL-LPSWHF
CHKD	DATE <td>UNIT: mm <td>DWG NO.:</td> </td>	UNIT: mm <td>DWG NO.:</td>	DWG NO.:
APPD	DATE <td>SIZE: A4</td> <td></td>	SIZE: A4	
REVISIONS			
REVISION	SHEET	1/1	AO

For and on behalf of
XKB INDUSTRIAL PRECISION CO., LIMITED
 香港星坤工業精密有限公司

MARK	DESCRIPTION	DATE	REVISED	APPROVED	UNSPECIFIED TOLERANCES	
					L > 63	± 0.5
△ X					16 < L ≤ 63	± 0.4
△ X					4 < L ≤ 16	± 0.3
△ X					L ≤ 4	± 0.2
					ANGULAR	± 5°

REVISIONS
 Authorized Signatures(s)

DATE	DATE	DATE	DATE	DATE	DATE	DATE	DATE
DSND	DWN	CHKD	APPD				
SCALE: N/A	VIEW:	UNIT: mm	SIZE: A4				
MODEL TYPE: X1002WRS-XXE-LPSWHF	PART NO.: 1.00 mm Crimp Style Connectors	DWG NO.:					
REVISION	SHEET	1/1	WEIGHT	1.0g			
A0							



PART NO	Material	Material (Pth)	Material (Solder Tabs)	Finish (Pin and Solder Tabs)	Suitable XKB Terminal
X1002WRS-XXE-LPSWHF	LCP UL 94V-0	Phosphor	Brass	Matte Tin	X1002H-L
X1002WRS-XXE-LPV01	LCP UL 94V-0	Phosphor	Brass	Matte Tin	X1002H-L
X1002WRS-XXE-LPSWHF	LCP UL 94V-0	Phosphor	Brass	Tin-Plated	X1002H-L

Poles	Dimensions(mm)		
	A	B	C
02	1.00	4.00	2.50
03	2.00	5.00	3.50
04	3.00	6.00	4.50
05	4.00	7.00	5.50
06	5.00	8.00	6.50
07	6.00	9.00	7.50
08	7.00	10.00	8.50
09	8.00	11.00	9.50

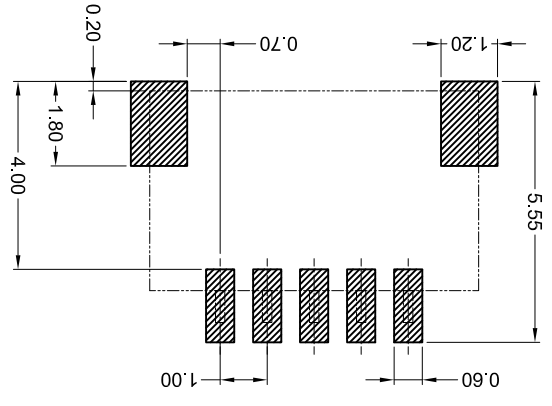
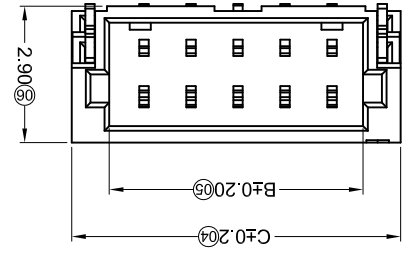
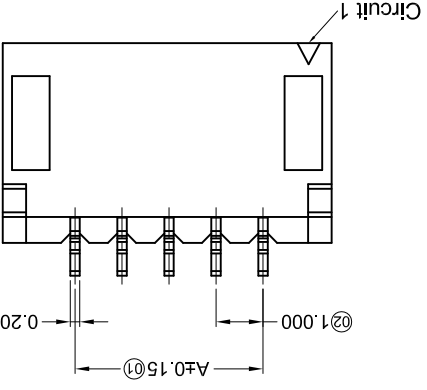
Poles	Dimensions(mm)		
	A	B	C
10	9.00	12.00	10.50
11	10.00	13.00	11.50
12	11.00	14.00	12.50
13	12.00	15.00	13.50
14	13.00	16.00	14.50
15	14.00	17.00	15.50
16	15.00	18.00	16.50
20	19.00	22.00	20.50

- ① Series No.
 ② Category: W-wafer
 ③ Welding Board Angle: R-90°
 ④ Welding Way: S-SMT
 ⑤ Row No.-Pin No.: XX-02P~20P
 ⑥ Plug the Pin & Special No.: E-Ear clip
 ⑦ Material: LP-LCP 94V-0
 ⑧ Plating Category:
 V**:All Gold-Plated *01-Gold Flash
 SW-Fog Tin plating SN-Bright tin plating
 Color: Blank-natural color
 ⑩ HF-Halogen Free ; Blank-Halogen

- Specifications :
- Voltage rating: 50V AC / DC
 - Current rating: 1A AC / DC
 - Withstanding voltage: 500V AC/minute
 - Temperature range: -25°C~+85°C
 - Insulation resistance: ≥100MΩ
 - Contact resistance: ≤20mΩ
 - After environmental testing: ≤40mΩ

X1002 W R S-XX E-LP XX XX X

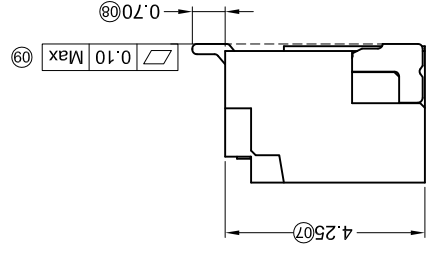
- ① ② ③ ④ ⑤ ⑥ ⑦ ⑧ ⑨ ⑩



Recommended P.C.B Layout
General Tolerance±0.05

KXB INDUSTRIAL PRECISION CO., LIMITED
For and on behalf of
香港星坤工業精密有限公司

MARK	DESCRIPTION	DATE	REVISD	APPROVED	UNSPCIFIED TOLERANCES
△ X					±0.5
△ X					16 < L ≤ 63
△ X					4 < L ≤ 16
△ X					L ≤ 4
					ANGULAR ±5°



PART NO	Material	Material(Fin And Solder Tabs)	Finish(Fin And Solder Tabs)	Suitable KXB Terminal
X1002WRS-XX-LPSN	LCP UL 94V-0	Phosphor Bronze	Tin-Plated	X-1002H

Poles	Dimensions(mm)		
	A	B	C
02	1.00	2.40	4.00
03	2.00	3.40	5.00
04	3.00	4.40	6.00
05	4.00	5.40	7.00
06	5.00	6.40	8.00
07	6.00	7.40	9.00
08	7.00	8.40	10.00
09	8.00	9.40	11.00
10	9.00	10.40	12.00
11	10.00	11.40	13.00
Poles			
Dimensions(mm)			
A B C			
12 11.00 12.40 14.00			
13 12.00 13.40 15.00			
14 13.00 14.40 16.00			
15 14.00 15.40 17.00			
16 15.00 16.40 18.00			
17 16.00 17.40 19.00			
18 17.00 18.40 20.00			
19 18.00 19.40 21.00			
20 19.00 20.40 22.00			
21 21.00 22.40 24.00			

Specifications :

- Voltage rating: 50V AC / DC
- Current rating: 1A AC / DC
- Withstanding voltage: 500V AC/minute
- Temperature range: -25°C~+85°C
- Insulation resistance: ≥100MΩ
- Contact resistance: ≤20mΩ
- After environmental testing: ≤40mΩ

X1002 W R S-XX X-LP SN XX

① Series No.

② Category: W-water

③ Welding Board Angle: R- Right Angle 90°

④ Welding Way: S-SMT

⑤ Row No.-Pin No.: XX-02P~22P

⑥ Plug the Pin & Special No.:

⑦ Material: LCP-LCP 94V-0

⑧ Plating Category: SN-Bright tin plating

⑨ Color: Blank-Natural Color

DSND	DATE	SCALE: N/A	MODEL TYPE: X1002WRS-XX-LPSN
CHKD	DATE <td>UNIT: mm</td> <td>PART NO.:</td>	UNIT: mm	PART NO.:
APPD	DATE <td>SIZE: A4</td> <td>DWG NO.:</td>	SIZE: A4	DWG NO.:
			1.00 mm Crimp Style Connectors
			WEIGHT 1.0g
			SHEET 1/1
			REVISION A0

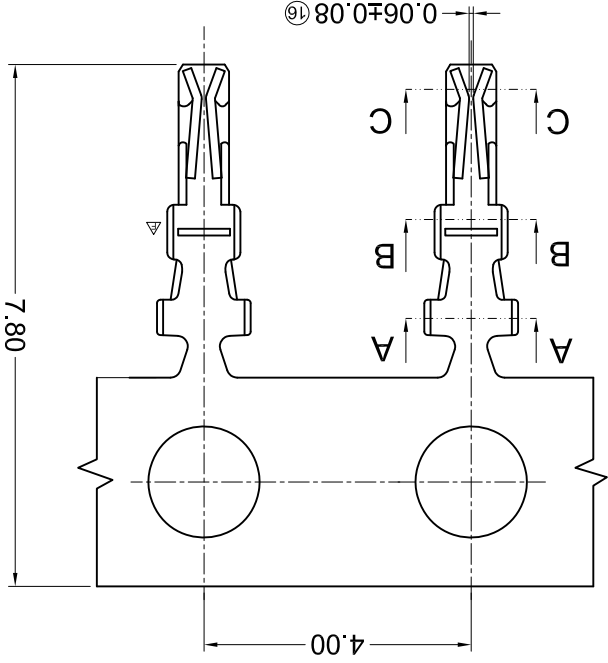
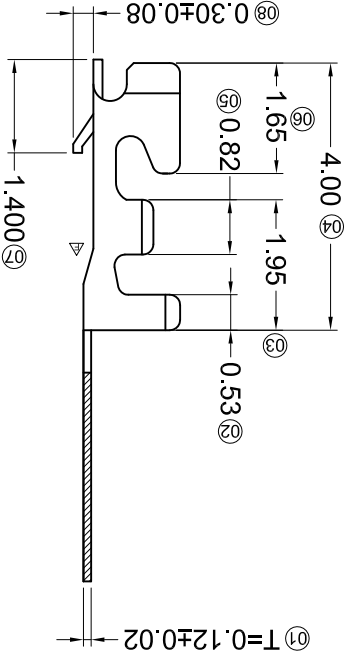
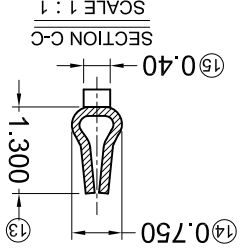
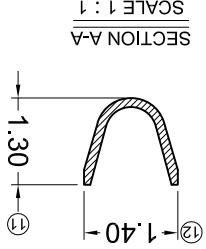
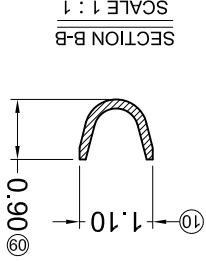
KXB INDUSTRIAL PRECISION CO., LIMITED

For and on behalf of
XKB INDUSTRIAL PRECISION CO., LIMITED
 香港星坤工業精密有限公司

MARK	DESCRIPTION	DATE	REVISED	APPROVED	UNSPECIFIED TOLERANCES
△ X					L > 63
△ X					16 < L ≤ 63
△ X					4 < L ≤ 16
					L ≤ 4
					ANGULAR
					± 5°

REVISIONS	XKB INDUSTRIAL PRECISION CO., LIMITED				
APPD	DATE	SCALE: N/A	MODEL TYPE: X1002T-PXX	VIEW:	DATE
CHKD	DATE	UNIT: mm	PART NO.:	VIEW:	DATE
DWN	DATE	SCALE: N/A	MODEL TYPE: X1002T-PXX	VIEW:	DATE
		SIZE: A4	DWG NO.:	VIEW:	DATE
		WEIGHT 1.0g	1.00 mm Crimp Style Connectors	VIEW:	DATE
		SHEET 1/1		VIEW:	DATE
		REVISION A0		VIEW:	DATE

PART NO	Material	Wire Range	Insulation O.D.	Finish	Suitable XKB Terminal
X1002T-PV03	Phosphor Bronze	AWG#26-32	0.80mm(Max)	Stamping Before Plating:30~50u" Ni;Whole Gold :5u" Min.	X1002H
X1002T-PV01				Stamping Before Plating:30~50u" Ni;Whole Gold :5u" Min.	
X1002T-FSN2				Stamping Before Plating:50u" Min Ni;120u"Sn Min	
X1002T-FSN				Stamping Before Plating:30~50u" Ni;70~120u"Sn	



■ Specifications :

- Voltage rating: 50V AC / DC
- Current rating: 1A AC / DC
- Withstanding voltage: 500V AC/minute
- Temperature range: -25°C~+85°C
- Insulation resistance: ≥100MΩ
- Contact resistance: ≤20mΩ
- After environmental testing: ≤40mΩ

X1002 T X-P XX X-X

① ② ③ ④ ⑤ ⑥ ⑦

① Series Number

② Category: T-terminal

③ Shape: Blank-ordinary

④ Material: P-Phosphor bronze

⑤ Plating style:

V*-All Gold-Plated ; *01-Gold Flash ; *03-3u"

SN2-Bright tin plating 70-120u"

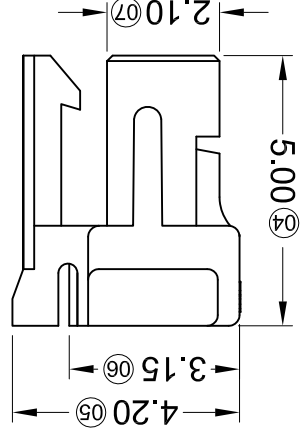
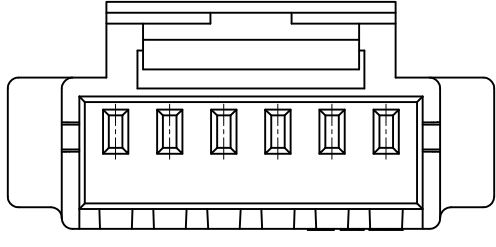
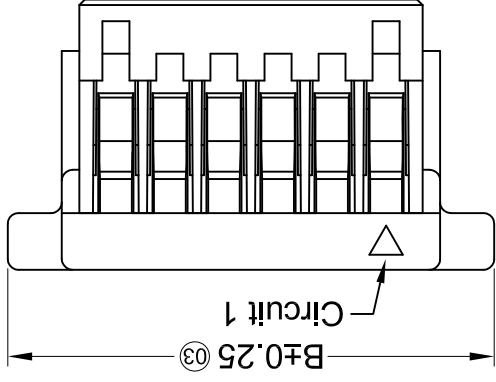
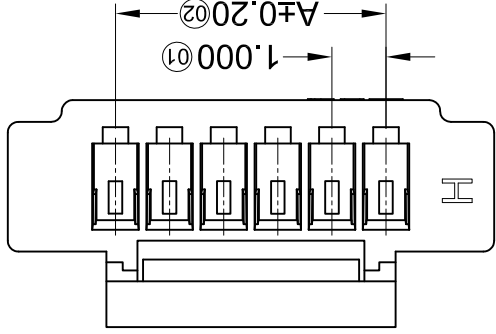
SN2-Bright tin plating 120u"Min. Ni : 50u" Min.

⑥ Plating method:

Blank-Stamping before plating

B-Plating before stamping

⑦ Mold No./Mark/Special No.



For and on behalf of
XKB INDUSTRIAL PRECISION CO., LIMITED
 香港星坤工業精密有限公司

REVISIONS
 Authorized Signature(s)

MARK	DESCRIPTION	DATE	REVISED	APPROVED	UNSPECIFIED TOLERANCES
△ X					L > 63 ±0.5
△ X					16 < L ≤ 63 ±0.4
△ X					4 < L ≤ 16 ±0.3
△ X					L ≤ 4 ±0.2
					ANGULAR ±5°

PART NO	Material	Suitable XKB Terminal	Suitable XKB Terminal
X1002H-XXL-N0XX	PA66 UL 94V-0	X1002T	X1002W-L

Poles	Dimensions(mm)		Poles	Dimensions(mm)	
	A	B			A
02	1.00	5.00	12	11.00	15.00
03	2.00	6.00	13	12.00	16.00
04	3.00	7.00	14	13.00	17.00
05	4.00	8.00	15	14.00	18.00
06	5.00	9.00	16	15.00	19.00
07	6.00	10.00	17	16.00	20.00
08	7.00	11.00	18	17.00	21.00
09	8.00	12.00	19	18.00	22.00
10	9.00	13.00	20	19.00	23.00
11	10.00	14.00			

Specifications :

- Voltage rating: 50V AC / DC
- Current rating: 1A AC / DC
- Withstanding voltage: 500V AC/minute
- Temperature range: -25°C~+85°C
- Insulation resistance: ≥100MΩ
- Contact resistance: ≤20mΩ
- After environmental testing: ≤40mΩ

① Series No.
 X1002 H X-XX L-N0 XX

② Category: H-HSG
 ③ Welding Board Angle: Blank-ordinary
 ④ Row No.-Pin No.: XX-02P~12P
 ⑤ Plug the Pin & special No.: L-With Lock
 ⑥ Material: N0-PA66 94V-0
 ⑦ Color: Blank-Natural color ; BK-Black

DATE	SCALE: N/A	MODEL TYPE: X1002H-XXL-N0XX
DNSD		
DWN		
CHKD		
APPD		
DATE		
VIEW:		
UNIT: mm		
SIZE: A4		
REVISION		
SHEET	1/1	
WEIGHT	1.0g	
REVISION		A0

XKB INDUSTRIAL PRECISION CO., LIMITED

F

E

D

C

B

A

8

7

6

5

4

3

2

1

8

7

6

5

4

3

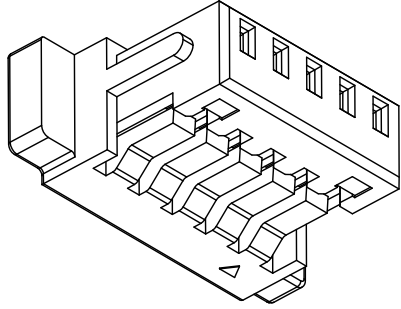
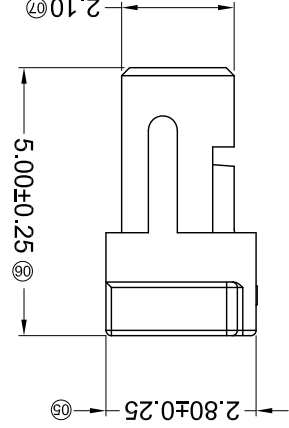
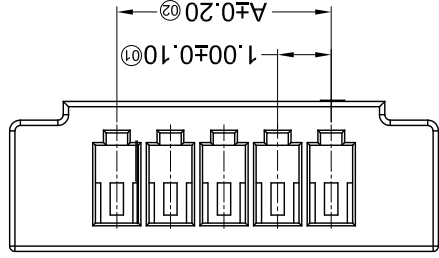
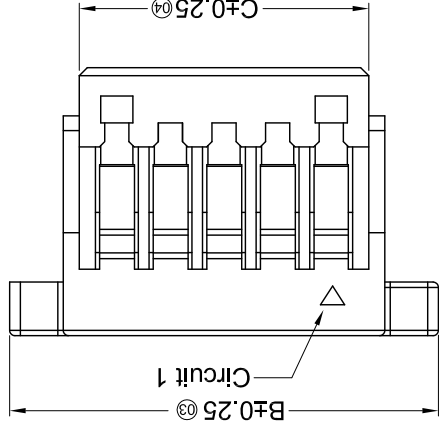
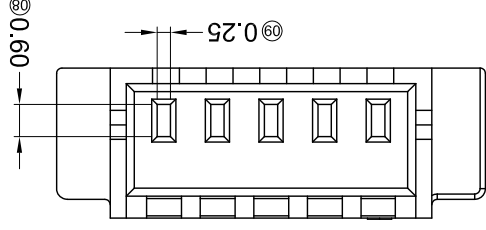
2

1

For and on behalf of
KXB INDUSTRIAL PRECISION CO., LIMITED
 香港星坤工業精密有限公司

MARK	DESCRIPTION	DATE	REVISED	APPROVED	UNSPECIFIED TOLERANCES
△ X					L > 63
△ X					16 < L ≤ 63
△ X					L ≤ 16
					L ≤ 4
					± 0.2
					ANGULAR
					± 5°

REVISIONS	KXB INDUSTRIAL PRECISION CO., LIMITED				
REVISION	WEIGHT	SHEET	1/1	1.0g	A0
DATE	DATE	DATE	DATE	DATE	DATE
APPROVED	CHKD	DWN	DNSD	APPD	SIZE: A4
					UNIT: mm
					VIEW:
					SCALE: N/A
					MODEL TYPE: X1002H-XXE-XXHF
					PART NO.: 1.00 mm Crimp Style Commctors
					DWG NO.:



PART NO	Material	Suitable XKB Terminal
X1002H-XXE-PT	PBT UL 94V-0	Suitable XKB Terminal
X1002H-XXE-N0	PA66 UL 94V-0	
X1002H-XXE-N0HF	Halogen Free PA66 UL 94V-0	
X1002H-XXE-PGN0HF	Halogen Free P-640PG3G-NC(15%GF)	

Poles	Dimensions(mm)		
	A	B	C
02	1.00	5.00	2.40
03	2.00	6.00	3.40
04	3.00	7.00	4.40
05	4.00	8.00	5.40
06	5.00	9.00	6.40
07	6.00	10.00	7.40
08	7.00	11.00	8.40
09	8.00	12.00	9.40
10	9.00	13.00	10.40
11	10.00	14.00	11.40
12	11.00	15.00	12.40

- ① Series No.
 ② Category: H-HSG
 ③ Welding Board Angle: Blank-ordinary
 ④ Row No.-Pin No.: XX-02P-24P
 ⑤ Plug the Pin & special No.: E-Have ears
 ⑥ Material: PT-PBT; N0-PA66 94V-0
 PGN0-P-640PG3G-NC(15%GF)
 ⑦ Color: Blank-natural color
 ⑧ HF- Halogen Free; Blank- Halogen

X1002 H X-XX E-XX XX XX

- Specifications :
- Voltage rating: 50V AC / DC
 - Current rating: 1A AC / DC
 - Withstanding voltage: 500V AC/minute
 - Temperature range: -25°C~+85°C
 - Insulation resistance: ≥100MΩ
 - Contact resistance: ≤20mΩ
 - After environmental testing: ≤40mΩ

For and on behalf of
XKB INDUSTRIAL PRECISION CO., LIMITED
 香港星洲工業精密有限公司

REVISIONS
 Authorized Signatures(s)

MARK	DESCRIPTION	DATE	REVISED	APPROVED	UNSPECIFIED TOLERANCES
△ X					L > 63
△ X					16 < L ≤ 63
△ X					4 < L ≤ 16
					L ≤ 4
					±0.2
					ANGULAR
					±5°

REVISION	SHEET	WEIGHT	1/1	1.0g
A0				

DATE	SCALE: N/A	MODEL TYPE: X1002H-XX-XXHF
DATE	SCALE: N/A	MODEL TYPE: X1002H-XX-XXHF

DATE	VIEW:	PART NO.:
DATE	VIEW:	PART NO.:

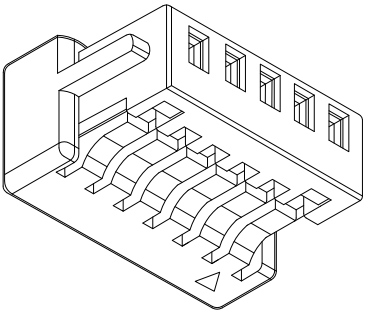
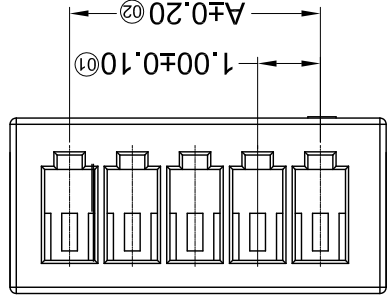
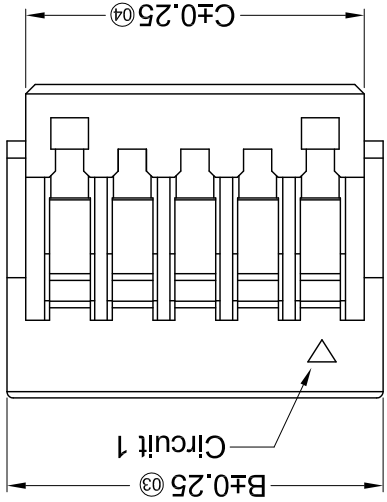
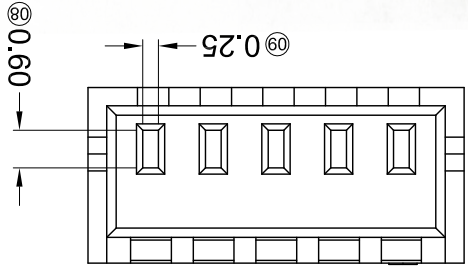
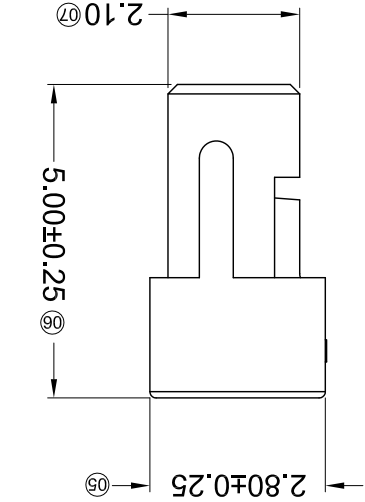
DATE	UNIT: mm	DWG NO.:
DATE	UNIT: mm	DWG NO.:

DATE	SIZE: A4
DATE	SIZE: A4

PART NO	Material	Suitable XKB Terminal
X1002H-XX-PT	PBT UL 94V-0	Suitable XKB Terminal
X1002H-XX-N0	PA66 UL 94V-0	
X1002H-XX-N0HF	PA66 UL 94V-0 Halogen Free	

Poles	Dimensions(mm)		
	A	B	C
02	1.00	3.00	2.40
03	2.00	4.00	3.40
04	3.00	5.00	4.40
05	4.00	6.00	5.40
06	5.00	7.00	6.40
07	6.00	8.00	7.40
08	7.00	9.00	8.40
09	8.00	10.00	9.40
10	9.00	11.00	10.40
11	10.00	12.00	11.40
12	11.00	13.00	12.40

Poles	Dimensions(mm)		
	A	B	C
02	12.00	14.00	13.40
03	13.00	15.00	14.40
04	14.00	16.00	15.40
05	15.00	17.00	16.40
06	16.00	18.00	17.40
07	17.00	19.00	18.40
08	18.00	20.00	19.40
09	19.00	21.00	20.40
10	20.00	22.00	21.40
11	21.00	23.00	22.40
12	22.00	24.00	23.40



- Specifications :**
- Voltage rating: 50V AC / DC
 - Current rating: 1A AC / DC
 - Withstanding voltage: 500V AC/minute
 - Temperature range: -25°C~+85°C
 - Insulation resistance: ≥100MΩ
 - Contact resistance: ≤20mΩ
 - After environmental testing: ≤40mΩ
- X1002 H X-XX X-XX XX XX
- ① Series No.
 - ② Category: H-HSG
 - ③ Welding Board Angle: Blank-ordinary
 - ④ Row No.-Pin No.: XX-02P~24P
 - ⑤ Plug the Pin & special No.
 - ⑥ Material: PT-PBT N0-PA66 94V-0
 - ⑦ Color: Blank-natural color
 - ⑧ HF-Halogen Free ; Blank- Halogen

X-ON Electronics

Largest Supplier of Electrical and Electronic Components

Click to view similar products for [Headers & Wire Housings](#) category:

Click to view products by [XKB](#) manufacturer:

Other Similar products are found below :

[95000-104TRLF](#) [10135584-644402LF](#) [DF62W-EP2022PCA](#) [95000-106TRLF](#) [DF62W-2022SCA](#) [DF62W-EP2022PC](#) [2203348](#) [DF62W-2022SC](#) [1084018](#) [1029039](#) [1084017](#) [802-10-012-10-002000](#) [1112640](#) [1112639](#) [891-007-9SS-BST1T](#) [000-34000](#) [0008550134](#) [0009482033](#) [0009507031](#) [57102-F02-18ULF](#) [57102-S06-03LF](#) [57202-S52-04LF](#) [PCN6-15S-2.5E](#) [0039019024](#) [58102-G61-06LF](#) [582553-1](#) [0009485154](#) [0009508121](#) [0022285053](#) [0050291907](#) [018731A](#) [LY20-4P-DT1-P1E-BR](#) [02.125.8002.8](#) [60101931](#) [60598-1 \(Cut Strip\)](#) [M1625-3R/100](#) [61062-3](#) [61082-181009](#) [CSU011177004](#) [636-1427](#) [638009-1](#) [641938-9](#) [641991-4](#) [644168-1](#) [644827-2](#) [647662-1](#) [65039-019ELF](#) [65692-001LF](#) [65781-018](#) [65781-047](#)