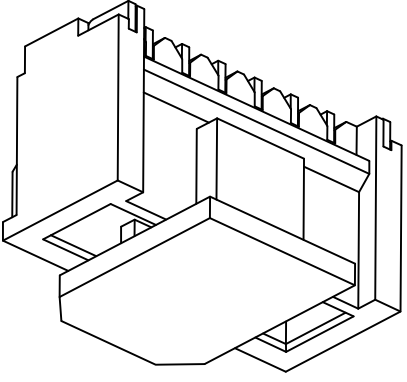
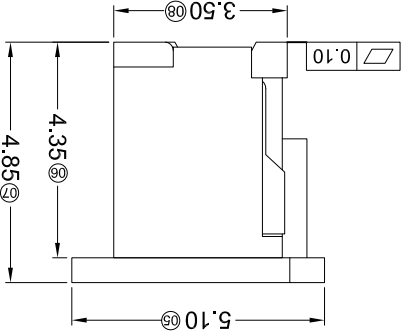
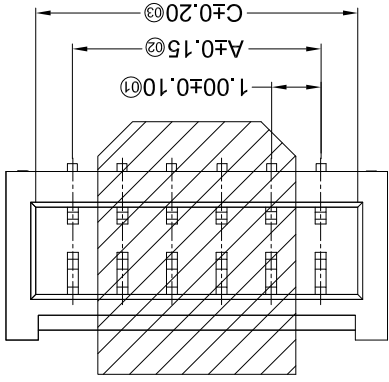
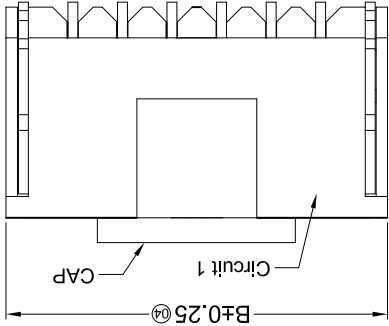
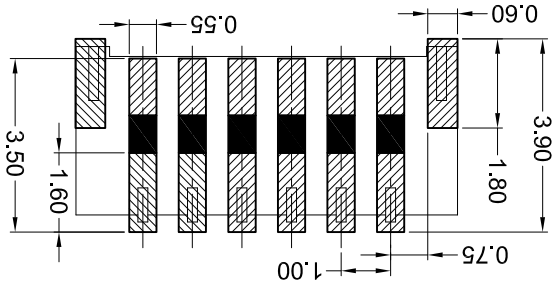


For and on behalf of  
**XKB INDUSTRIAL PRECISION CO., LIMITED**  
 香港星坤工業精密有限公司  
 REVISIONS  
 (Authorized Signatures)

MARK	DESCRIPTION	DATE	REVISD	APPROVED	UNSPCIFIED TOLERANCES
△ X					$\pm 0.5$
△ X					$16 > L \leq 63$
△ X					$4 < L \leq 16$
					$L \leq 4$
					$\pm 0.2$
					ANGULAR
					$\pm 5^\circ$

REVISION	SHEET	WEIGHT	SIZE	DATE	DATE	DATE	DATE	DATE	DATE
A0	1/1	1.0g	A4						

Recommended P.C.B Layout  
 General Tolerance:  $\pm 0.05$



PART NO	Material	(Pin And Solder Cap)	Material	(Pin And Solder Tabs)	Finish	Suitable XKB Terminal
X1002W/S-XXB-9T-SN	PA 9T UL 94V-0		Phosphor Bronze	Thi-Paldd		1002HB
X1002W/S-XXB-9T-SW	PA 9T UL 94V-0		Phosphor Bronze	Thi-Paldd		1002HB
X1002W/S-XXB-HT-SW	HTN PA6T UL 94V-0		Phosphor Bronze	Thi-Paldd		1002HB
X1002W/S-XXB-1T-SW	PA10T UL 94V-0		Phosphor Bronze	Thi-Paldd		1002HB
PA9T UL 94V-0	X1002W/S-XXBHF-9T-SW		Phosphor Bronze	Thi-Paldd		1002HB

Poles	A	B	C	Dimensions(mm)
02	1.00	3.70	2.50	12.50
03	2.00	4.70	3.50	13.50
04	3.00	5.70	4.50	14.50
05	4.00	6.70	5.50	15.50
06	5.00	7.70	6.50	16.50
07	6.00	8.70	7.50	17.50
08	7.00	9.70	8.50	18.50
09	8.00	10.70	9.50	19.50
10	9.00	11.70	10.50	20.50
11	10.00	12.70	11.50	21.50

- ① Series No.
- ② Category: W-water
- ③ Welding Board Angle: V-Stright Angle 180°
- ④ Welding Way: S-SMT
- ⑤ Row No.-Pin No.: XX-02P~20P
- ⑥ Plug the Pin & Special NO:
- ⑦ B-With ultra-thin and With Lock;
- ⑧ HF-Halgen Free
- ⑨ Material: 9T-PA9T ; HT-HTN 6T ; 1T-PA10T
- ⑩ Planting Category:
- ⑪ SN-Bright tin plating 70"Min.; 30" NI
- ⑫ SW-Matte Tin plating 70"Min.; 30" NI
- ⑬ Color: Blank-Natural color

X1002 W V S-XX B-XX XX XX

- Specifications :
- Voltage rating: 125V AC / DC
- Current rating: 1A AC / DC
- Withstanding voltage: 500V AC/minute
- Temperature range: -25°C~+85°C
- Insulation resistance:  $\geq 100M\Omega$
- Contact resistance:  $\leq 20m\Omega$
- After environmental testing:  $\leq 40m\Omega$

For and on behalf of  
**XKB INDUSTRIAL PRECISION CO., LIMITED**  
 香港星洲工業精密有限公司

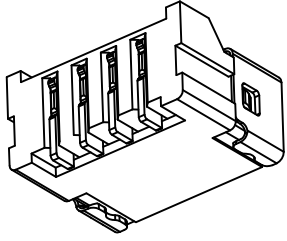
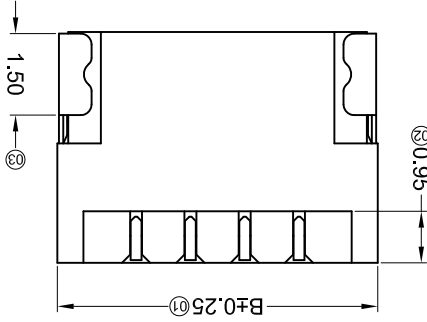
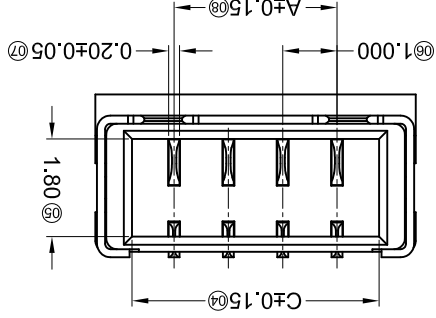
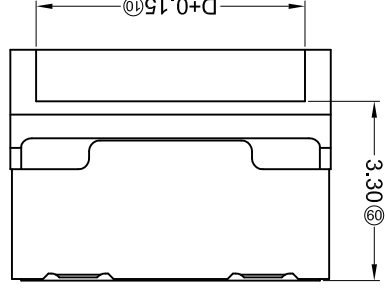
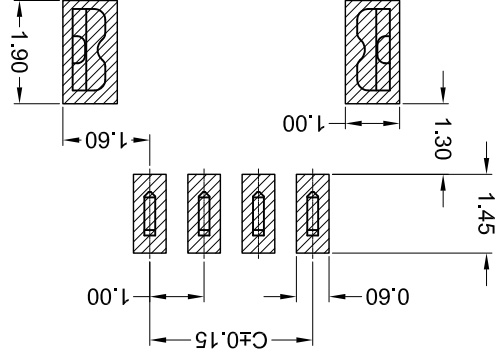
MARK	DESCRIPTION	DATE	REVISD	APPROVED	UNSPCIFIED TOLERANCES
△ X					$\pm 0.5$
△ X					$16 > L \leq 63$
△ X					$4 < L \leq 16$
					$L \leq 4$
					$\pm 0.2$
					ANGULAR
					$\pm 5^\circ$

**XKB INDUSTRIAL PRECISION CO., LIMITED**

WEIGHT	1.0g
SHEET	1/1
REVISION	A0
SIZE:	A4
UNIT:	mm
VIEW:	
PART NO.:	X1002WRS-XXBS-LPSW
MODEL TYPE:	X1002WRS-XXBS-LPSW

PART NO	Material(Water)	Material(Pin)	Finish(Pin)	Material(Shell)	Finish(Shell)	Suitable XKB
X1002WRS-XXBS-LPSW	LCP 94V-0	Phosphor Bronze	Matte Plating	Alloy Steel	Nickel Plating	1002H-B
						1002H-B

Recommended P.C.B Layout  
 General Tolerance  $\pm 0.05$



Poles	Dimensions (mm)			
	A	B	C	D
03	2.00	4.90	3.50	3.95
04	3.00	5.90	4.50	4.95
06	5.00	7.90	6.50	6.95
12	11.00	13.90	12.50	12.95

- Series No. ①  
 Category: W-water ②  
 Welding Board Angle: R- Right Angle 90° ③  
 Welding Way: S-SMT ④  
 Row No.-Pin No.: XX-Single Row ⑤  
 Plug the Pin & Special NO: ⑥  
 B-With ultra-thin and With Lock: ⑦  
 S-With Shell ⑧  
 Material: LP-LCP 94V-0 ⑦  
 Plating Category: SW-Matte Tin plating ⑧  
 Color: Blank-Natural color ⑨
- X1002 W R S-XX BS-LP SW XX  
 ① ② ③ ④ ⑤ ⑥ ⑦ ⑧ ⑨

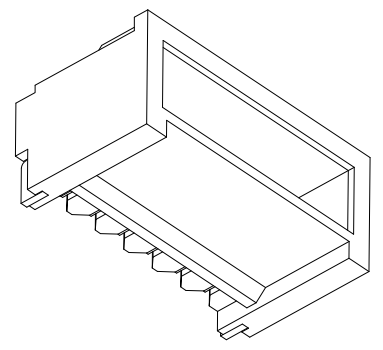
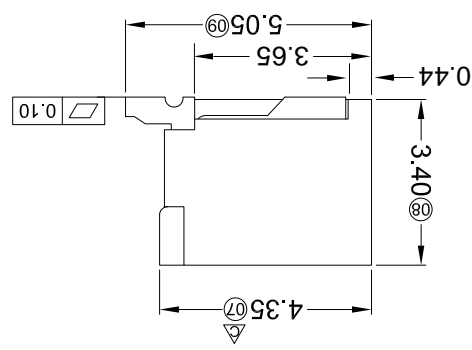
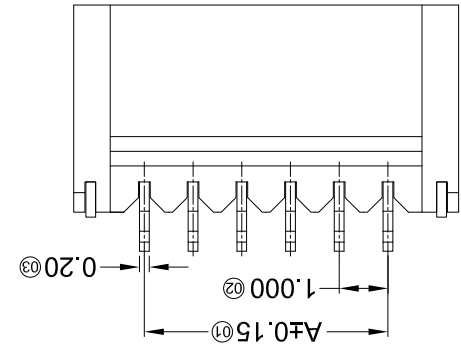
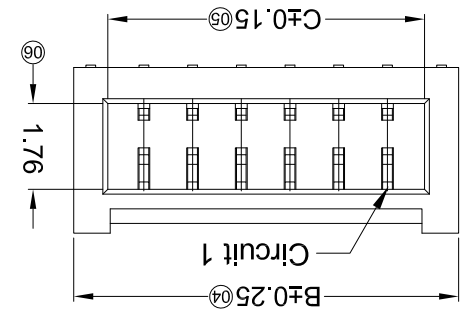
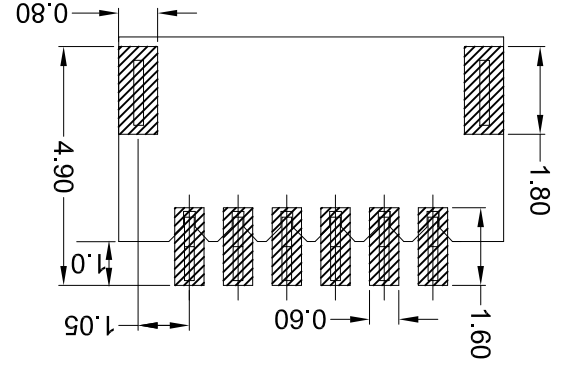
- Specifications :
- Voltage rating: 125V AC / DC
  - Current rating: 1A AC / DC
  - Withstanding voltage: 500V AC/minute
  - Temperature range: -25°C~+85°C
  - Insulation resistance:  $\geq 100M\Omega$
  - Contact resistance:  $\leq 20m\Omega$
  - After environmental testing:  $\leq 40m\Omega$

For and on behalf of  
**KXB INDUSTRIAL PRECISION CO., LIMITED**  
 香港星洲工業精密有限公司  
 REVISIONS  
 Authorized Signatures(s)

MARK	DESCRIPTION	DATE	REVISD	APPROVED	UNSPCIFIED TOLERANCES
△ X					L > 63
△ X					16 < L ≤ 63
△ X					4 < L ≤ 16
△ X					L ≤ 4
					ANGULAR
					± 5°

DSND	DATE	SCALE: N/A	MODEL TYPE: X1002WRS-XXB-XXSW
DWN	DATE	VIEW:	PART NO.:
CHKD	DATE	UNIT: mm	DWG NO.:
APPD	DATE	SIZE: A4	REVISION
			WEIGHT 1.0g
			SHEET 1/1
			REVISION A0

Recommended P.C.B Layout  
 General Tolerance ±0.05



PART NO	MATERIAL	FINISH
X1002WRS-XXB-9TSM	PA 9T UL 94V-0	Tri-Plated
X1002WRS-XXB-9TSM	PA9T UL 94V-0	Phorpos Bronze
X1002WRS-XXB-HTSM	HTN 6T UL 94V-0	
X1002WRS-XXB-TTSM	PA 10T UL 94V-0	
X1002WRS-XXBH-F9TSM	PA9T UL 94V-0 (Halogen Free)	

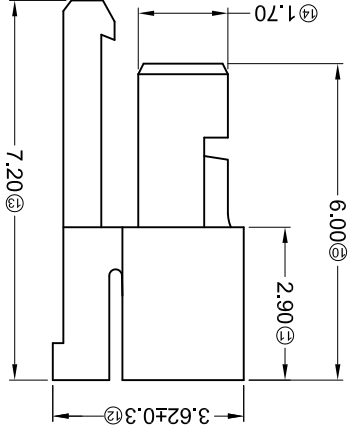
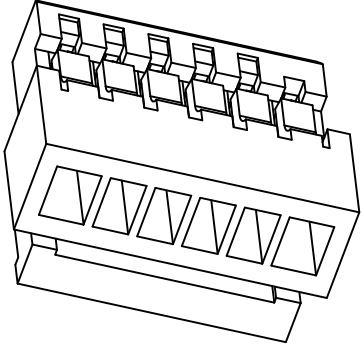
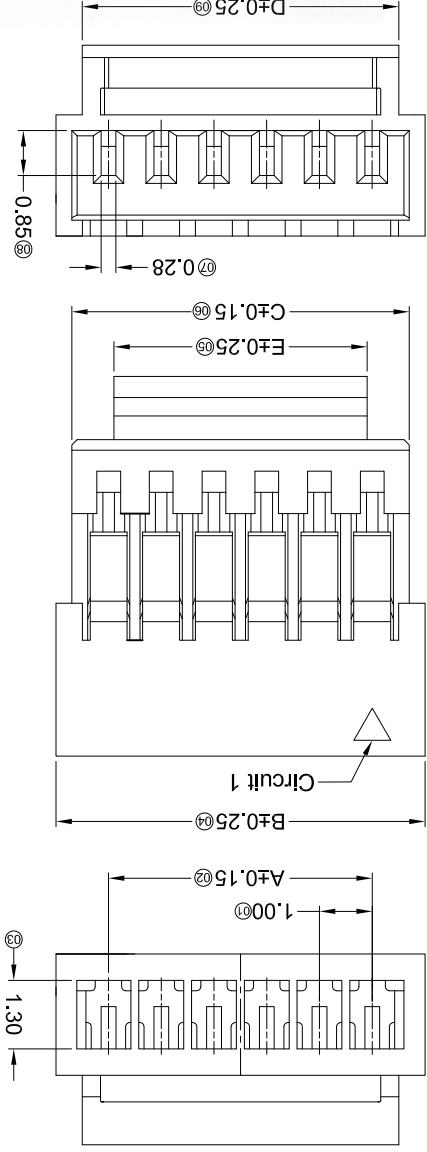
Poles	Dimensions (mm)		
	A	B	C
11	10.00	12.90	11.50
10	9.00	11.90	10.50
09	8.00	10.90	9.50
08	7.00	9.90	8.50
07	6.00	8.90	7.50
06	5.00	7.90	6.50
05	4.00	6.90	5.50
04	3.00	5.90	4.50
03	2.00	4.90	3.50
02	1.00	3.90	2.50
C	A	B	C

- ① Series No.  
 ② Category: W-water  
 ③ Welding Board Angle: R- Right Angle 90°  
 ④ Welding Way: S-SMT  
 ⑤ Row No.-Pin No.: XX-02P~20P  
 ⑥ Plug the Pin & Special NO.: B-Ultra-thin With Lock  
 ⑦ HF-Halogen Free  
 ⑧ Material: 9T-PA9T ; 1T-PA10T ; HT-TN 6T 94V-0  
 ⑨ Plating Category:  
 SN-Bright tin plating 70" Min.; 30" Ni Min.  
 SW-Matte Tin plating 70" Min.; 30" Ni Min.  
 ⑩ Color: Blank-Natural color

- Specifications :
- Voltage rating: 125V AC / DC
  - Current rating: 1A AC / DC
  - Withstanding voltage: 500V AC/minute
  - Temperature range: -25°C~+85°C
  - Insulation resistance: ≥100MΩ
  - Contact resistance: ≤20mΩ
  - After environmental testing: ≤40mΩ

8 7 6 5 4 3 2 1

A B C D E F



Poles	Dimensions(mm)				
	A	B	C	D	E
06	5.00	7.00	6.40	6.00	4.80
07	6.00	8.00	7.40	6.00	4.80
08	7.00	9.00	8.40	6.00	4.80
09	8.00	10.00	9.40	6.00	4.80
10	9.00	11.00	10.40	6.00	4.80
11	10.00	12.00	11.40	6.00	4.80
12	11.00	13.00	12.40	6.00	4.80
13	12.00	14.00	13.40	6.00	4.80
14	13.00	15.00	14.40	6.00	4.80
15	14.00	16.00	15.40	6.00	4.80
16	15.00	17.00	16.40	6.00	4.80
17	16.00	18.00	17.40	6.00	4.80
18	17.00	19.00	18.40	6.00	4.80
19	18.00	20.00	19.40	6.00	4.80
20	19.00	21.00	20.40	6.00	4.80

- ① Series No.  
 ② Category: H-HSG  
 ③ Row No.-Pin No.: XX-02P~20P  
 ④ Plug the Pin & special No.:  
 B4-Ultra-thin hook,6.00mm  
 ⑤ Material: NO-PA66 94V-0  
 ⑥ Color: Blank-Natural Color  
 ⑦ HF-Halogen Free

- Specifications :
- Voltage rating: 125 AC / DC
  - Current rating: 1A AC / DC
  - Withstanding voltage: 500V AC/minute
  - Temperature range: -25°C~+85°C
  - Insulation resistance: ≥100MΩ
  - Contact resistance: ≤20mΩ
  - After environmental testing: ≤40mΩ

PART NO	Material	Suitable XKB Terminal	Suitable XKB
X1002H-XXB4-N0HF	PA66 UL 94V-0 Halogen Free	1002T-A	1002W

DWND		DATE	SCALE: N/A	MODEL TYPE: X1002H-XXB4-N0HF
DWN	DATE	VIEW:	PART NO.:	1.00 mm Crimp Style Connectors
CHKD	DATE	UNIT: mm	DWG NO.:	
APPD	DATE	SIZE: A4	WEIGHT	1.0g
UNSPECIFIED TOLERANCES		APPROVED	REVISION	A0
±5°	ANGULAR			
±0.2	L ≤ 4			
±0.3	4 < L ≤ 16			
±0.4	16 < L ≤ 63			
±0.5	L > 63			

For and on behalf of  
 XKB INDUSTRIAL PRECISION CO., LIMITED  
 香港星坤工業精密有限公司  
 REVISIONS  
 Authorized Signature(s)

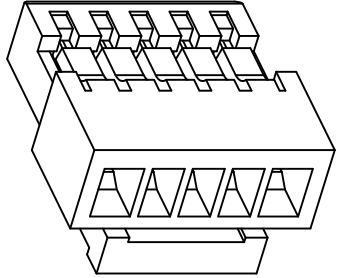
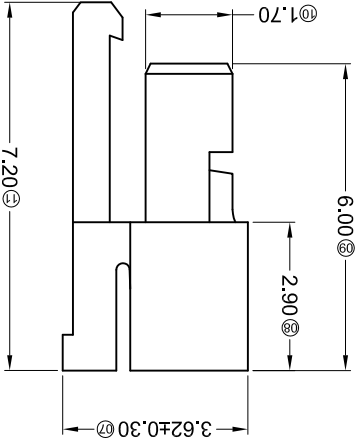
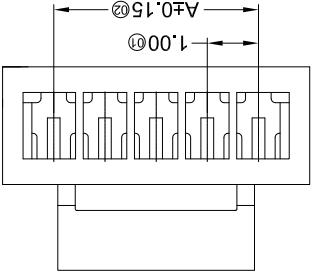
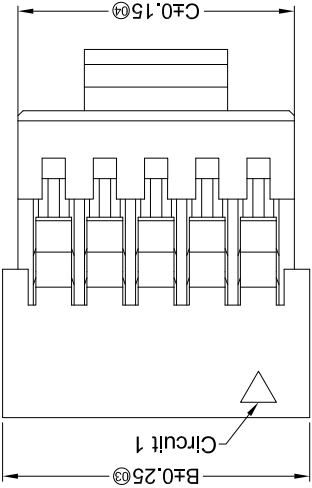
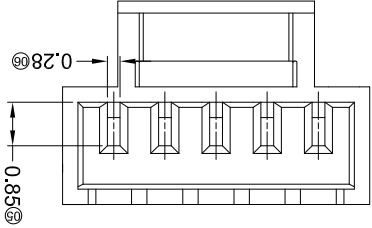
REVISION	SHEET	1/1
8		

For and on behalf of  
**XKB INDUSTRIAL PRECISION CO., LIMITED**  
 香港星坤工業精密有限公司

REVISIONS  
 Authorized Signatures(s)

MARK	DESCRIPTION	DATE	REVISED	APPROVED	UNSPECIFIED TOLERANCES
△ X					L > 63 ± 0.5
△ X					16 < L ≤ 63 ± 0.4
△ X					4 < L ≤ 16 ± 0.3
△ X					L ≤ 4 ± 0.2
					ANGULAR ± 5°

DSND	DATE	SCALE: N/A	MODEL TYPE: X1002H-XXB2-N0HF
APPD	DATE <td>SIZE: A4</td> <td></td>	SIZE: A4	
CHKD	DATE <td>UNIT: mm</td> <td>DWG NO.:</td>	UNIT: mm	DWG NO.:
DWN	DATE <td>VIEW: </td> <td>PART NO.:</td>	VIEW:	PART NO.:
			1,00 mm Crimp Style Connectors
			WEIGHT: 1.0g
			SHEET: 1/1
			REVISION: A0



PART NO	Material	Suitable XKB Terminal	Suitable K B
X1002H-XXB2-N0HF	PA66 UL 94V-0 Halogen Free	1002T-A	1002ZW
X1002H-XXB2-N0	PA66 UL 94V-0	1002T-A	1002ZW

Poles	Dimensions(mm)		
	A	B	C
02	1.00	3.00	2.40
03	2.00	4.00	3.40
04	3.00	5.00	4.40
05	4.00	6.00	5.40
06	5.00	7.00	6.40
07	6.00	8.00	7.40
08	7.00	9.00	8.40
09	8.00	10.00	9.40
10	9.00	11.00	10.40
11	10.00	12.00	11.40

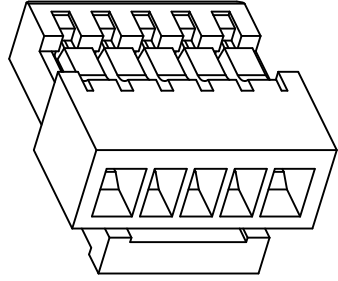
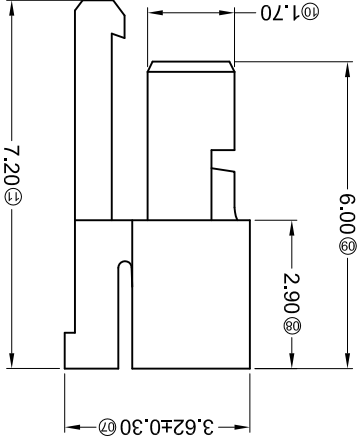
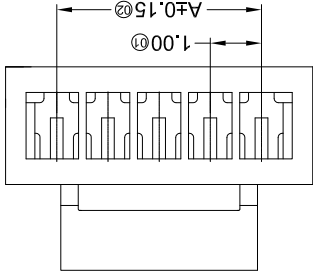
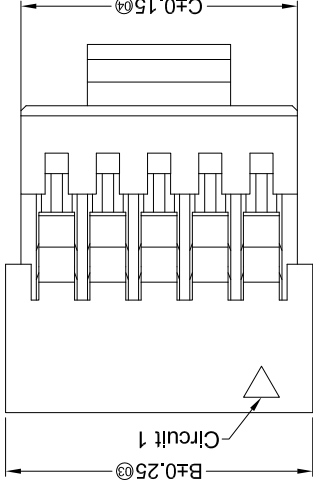
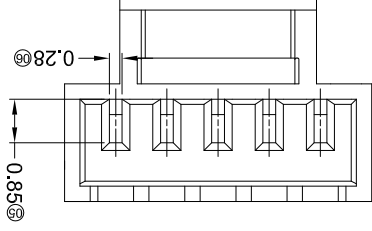
- Specifications :
- Voltage rating: 125 AC / DC
  - Current rating: 1A AC / DC
  - Withstanding voltage: 500V AC/minute
  - Temperature range: -25°C~+85°C
  - Insulation resistance: ≥100MΩ
  - Contact resistance: ≤20mΩ
  - After environmental testing: ≤40mΩ
- X1002 H-XX B2-N0 XX HF
- ① Series No.      ② Category: H-HSG  
 ③ Row No.-Pin No.: XX-02P~20P  
 ④ Plug the Pin & special No.: B2-Ultra-thin hook  
 ⑤ Material: N0-PA66 94V-0  
 ⑥ Color: Blank-Natural Color  
 ⑦ HF-Halogen Free

For and on behalf of  
**XKB INDUSTRIAL PRECISION CO., LIMITED**  
 香港星坤工業精密有限公司

REVISIONS  
 Authorized Signature(s)

MARK	DESCRIPTION	DATE	REVISED	APPROVED	UNSPECIFIED TOLERANCES
△ X					±0.5
△ X					16 < L ≤ 63
△ X					4 < L ≤ 16
△ X					L ≤ 4
					ANGULAR ±5°

DSND	DATE	SCALE: N/A	MODEL TYPE: X1002H-XXB-N0HF
APPD	DATE <td>SIZE: A4</td> <td></td>	SIZE: A4	
CHKD	DATE <td>UNIT: mm</td> <td>DWG NO.:</td>	UNIT: mm	DWG NO.:
DWN	DATE <td>VIEW: </td> <td>PART NO.:</td>	VIEW:	PART NO.:
			1,00 mm Crimp Style Connectors
			WEIGHT 1.0g
			SHEET 1/1
			REVISION A0

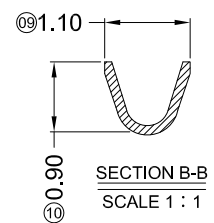
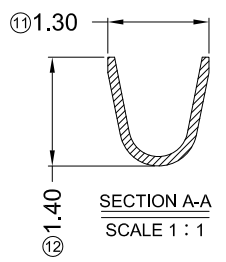
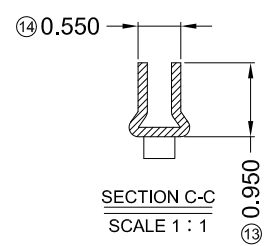
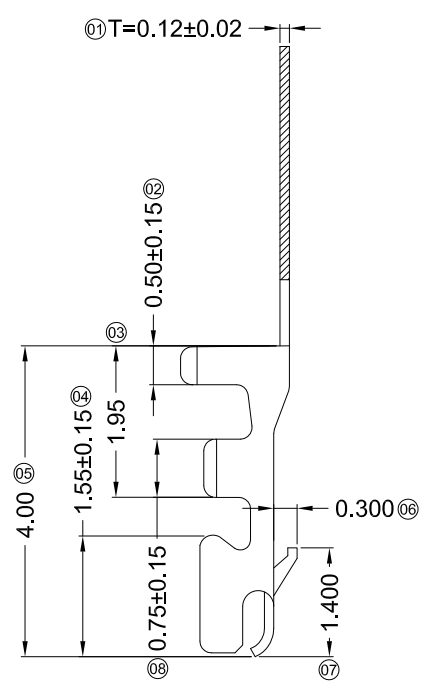
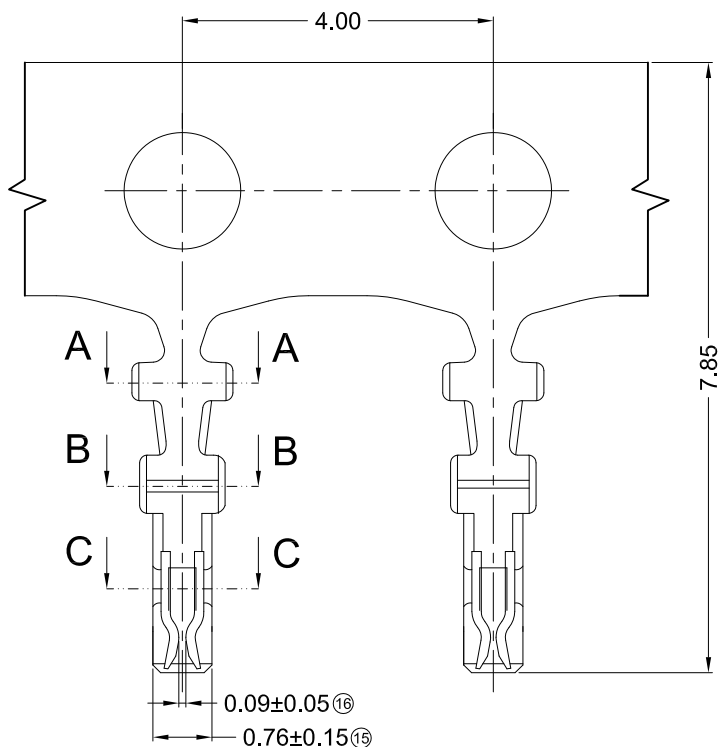


PART NO	Material	Suitable XKB Terminal	Suitable XKB
X1002H-XXB-N0	PA66 UL 94V-0	1002T-A	1002W
X1002H-XXB-N0HF	PA66 UL 94V-0 Halogen Free	1002T-A	1002W

Poles	Dimensions(mm)		
	A	B	C
02	1.00	3.00	2.40
03	2.00	4.00	3.40
04	3.00	5.00	4.40
05	4.00	6.00	5.40
06	5.00	7.00	6.40
07	6.00	8.00	7.40
08	7.00	9.00	8.40
09	8.00	10.00	9.40
10	9.00	11.00	10.40
11	10.00	12.00	11.40

■ **Specifications :**  
 • Voltage rating: 125 AC / DC  
 • Current rating: 1A AC / DC  
 • Withstanding voltage: 500V AC/minute  
 • Temperature range: -25°C~+85°C  
 • Insulation resistance: ≥100MΩ  
 • Contact resistance: ≤20mΩ  
 • After environmental testing: ≤40mΩ

X1002 H-XX B-N0 XX HF  
 ① Series No.  
 ② Category: H-HSG  
 ③ Row No.-Pin No.: XX-02P~20P  
 ④ Plug the Pin & special No.: B-Ultra-thin hook  
 ⑤ Material: N0-PA66 94V-0  
 ⑥ Color: Blank-Natural Color  
 ⑦ HF-Halogen Free



- Specifications :
- Voltage rating: 125V AC / DC
  - Current rating: 1A AC / DC
  - Withstanding voltage: 500V AC/minute
  - Temperature range: -25°C~+85°C
  - Insulation resistance: ≥100MΩ
  - Contact resistance: ≤20mΩ
  - After environmental testing: ≤40mΩ

**X1002 T X-P XX X**

- ① Series Number  
 ② Category: T-terminal  
 ③ Shape: Blank-ordinary  
 ④ Material: P-Phosphor bronze  
 ⑤ Plating Style:  
     V01-All Gold Flash  
     SN-Bright tin plating 70u" ; 30u" Ni  
     SN2-50u" Ni Min, 120u" Tin Min  
 ⑥ Plating method: Blank-Stamping before plating

X1002T-PSN2	Phospho Bronze	AWG#28-32	0.92mm	Stamping Before Plating:50u" Min Ni ; 120u"Sn Min	1002H-A, 1002H-B
X1002T-PV01				Stamping Before Plating:30u" Ni ; Whole Gold :Gold Flash	
X1002T-PSN				Stamping Before Plating:30u" Ni ; 70u"Sn	
PART NO	Material	Wire Range	Insulation O.D.	Finish	Suitable XKB Terminal

For and on behalf of  
**XKB INDUSTRIAL PRECISION CO., LIMITED**  
 香港星坤工業精密有限公司

△ X					ANGULAR	±5°
△ X					L ≤ 4	±0.2
△ X					4 < L ≤ 16	±0.3
MARK	DESCRIPTION	DATE	REVISED	APPROVED	16 < L ≤ 63	±0.4
					L > 63	±0.5
					UNSPECIFIED TOLERANCES	

DSND		DATE		SCALE: N/A	MODEL TYPE:		
DWN		DATE		VIEW:	1.00 mm Crimp Style Connectors		
CHKD		DATE		UNIT: mm	PART NO.:		
APPD		DATE		SIZE: A4	X1002T-PXX		
					DWG NO.:		
					WEIGHT	SHEET	REVISION
					1.0g	1/1	A0

**XKB INDUSTRIAL PRECISION CO., LIMITED**

## X-ON Electronics

Largest Supplier of Electrical and Electronic Components

*Click to view similar products for [Headers & Wire Housings](#) category:*

*Click to view products by [XKB](#) manufacturer:*

Other Similar products are found below :

[95000-104TRLF](#) [10135584-644402LF](#) [DF62W-EP2022PCA](#) [95000-106TRLF](#) [DF62W-2022SCA](#) [DF62W-EP2022PC](#) [2203348](#) [DF62W-2022SC](#) [1084018](#) [1029039](#) [1084017](#) [802-10-012-10-002000](#) [1112640](#) [1112639](#) [891-007-9SS-BST1T](#) [000-34000](#) [0008550134](#) [0009482033](#) [0009507031](#) [57102-F02-18ULF](#) [57102-S06-03LF](#) [57202-S52-04LF](#) [PCN6-15S-2.5E](#) [0039019024](#) [58102-G61-06LF](#) [582553-1](#) [0009485154](#) [0009508121](#) [0022285053](#) [0050291907](#) [018731A](#) [LY20-4P-DT1-P1E-BR](#) [02.125.8002.8](#) [60101931](#) [60598-1 \(Cut Strip\)](#) [M1625-3R/100](#) [61062-3](#) [61082-181009](#) [CSU011177004](#) [636-1427](#) [638009-1](#) [641938-9](#) [641991-4](#) [644168-1](#) [644827-2](#) [647662-1](#) [65039-019ELF](#) [65692-001LF](#) [65781-018](#) [65781-047](#)