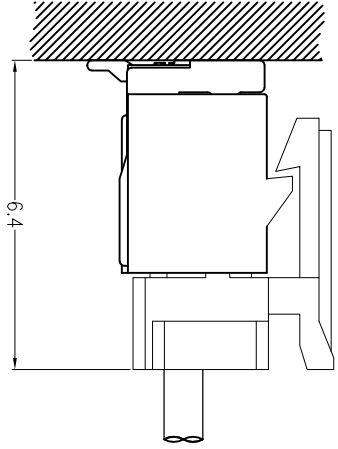
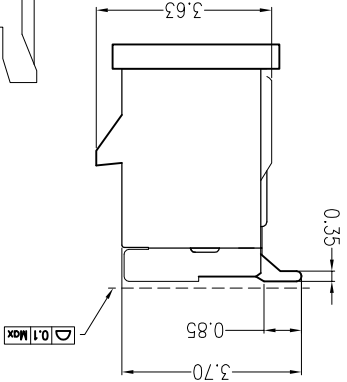
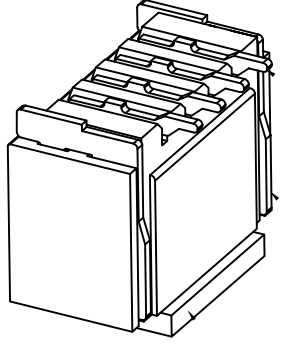
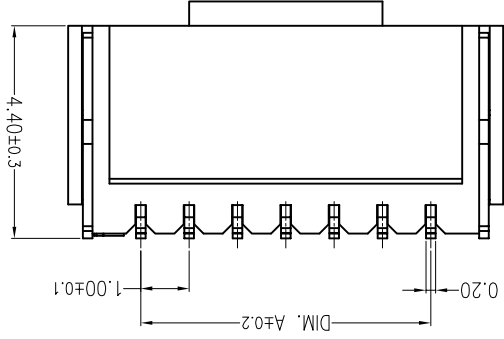
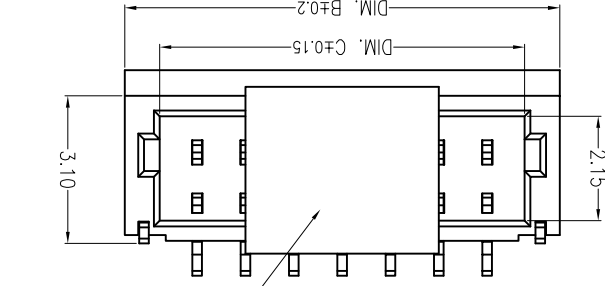
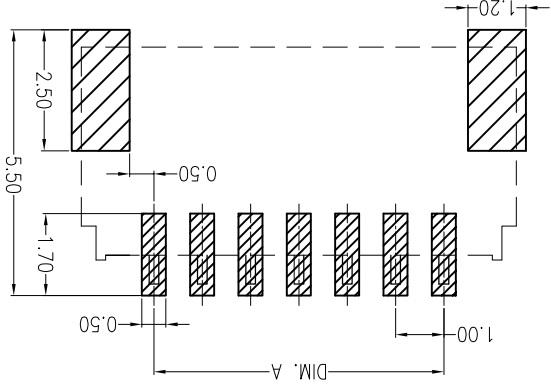


REVISIONS
APPROVED REVISED DATE

香港星坤工業精密有限公司
XKB INDUSTRIAL PRECISION CO., LIMITED

Recommend PCB Layout
For and on behalf of



PART NO	Material	Material(Pin And Solder Tabs)	Finish(Pin And Solder Tabs)	Suitable XKB Terminal
X1002WVS-XXL-HF-LPSW	Nylon 46 UL 94V-0	Brass	Tin-Plated	X1002H-L
X1002WVS-XXL-LPSWHF	Nylon 46 UL 94V-0	Brass	Tin-Plated	X1002H-L

Poles	Dimensions(mm)			Poles	Dimensions(mm)		
	A	B	C		A	B	C
02	1.00	4.00	2.50	10	9.00	12.00	10.50
03	2.00	5.00	3.50	11	10.00	13.00	11.50
04	3.00	6.00	4.50	12	11.00	14.00	12.50
05	4.00	7.00	5.50	13	12.00	15.00	13.50
06	5.00	8.00	6.50	14	13.00	16.00	14.50
07	6.00	9.00	7.50	15	14.00	17.00	15.50
08	7.00	10.00	8.50	16	15.00	18.00	16.50
09	8.00	11.00	9.50	20	19.00	22.00	20.50

■ Specifications :

- Voltage rating: 50V AC / DC
- Current rating: 1A AC / DC
- Withstanding voltage: 500V AC/minute
- Temperature range: -25°C~+85°C
- Insulation resistance: ≥100MΩ
- Contact resistance: ≤20mΩ
- After environmental testing: ≤40mΩ

X1002 W V S-XX L-PSW-XX-XX
 ① ② ③ ④ ⑤ ⑥ ⑦ ⑧ ⑨ ⑩

- ① Series No.
- ② Category: W-water
- ③ Welding Board Angle: V-180°
- ④ Welding Way: S-SMT
- ⑤ Row No.-Pin No.: XX-Single row
- ⑥ Plug the Pin & Special NO.: L-With Lock
- ⑦ Material: LP-LCP 94V-0
- ⑧ Planting Category: SW-Matte Tin plating (Tin: 70u Min)
- ⑨ Color: Blank-natural color
- ⑩ HF-Halogen Free ; Blank-Halogen

MARK	DESCRIPTION	DATE	REVISED	APPROVED	UNSPECIFIED TOLERANCES
△ X					L > 63 ±0.5
△ X					16 < L ≤ 63 ±0.4
△ X					4 < L ≤ 16 ±0.3
△ X					L ≤ 4 ±0.2
					ANGULAR ±5°

DSND	DATE	SCALE: N/A	MODEL TYPE: X1002WVS-XXL-LPSWHF
CHKD <th>DATE</th> <th>UNIT: mm</th> <th>DWG NO.:</th>	DATE	UNIT: mm	DWG NO.:
APPD <th>DATE</th> <th>SIZE: A4</th> <th>REVISION</th>	DATE	SIZE: A4	REVISION

REVISIONS	APPROVED	REVISED	DATE	DESCRIPTION
1/1				

WEIGHT	SHEET	REVISION
1.0g	1/1	A0

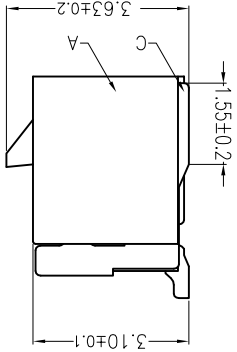
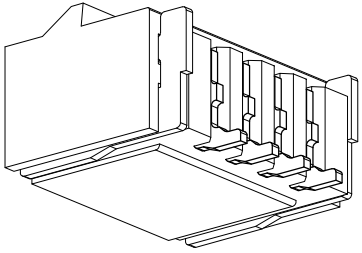
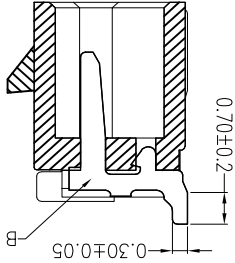
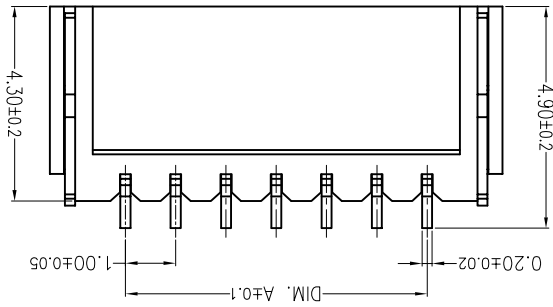
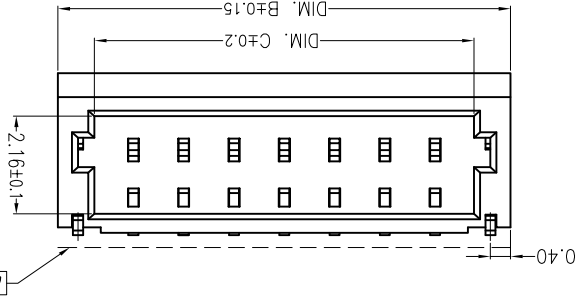
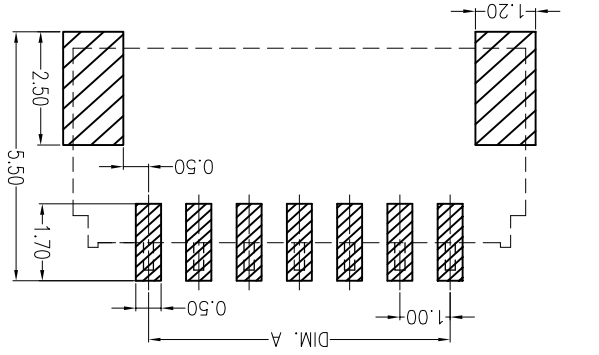
For and on behalf of
KXB INDUSTRIAL PRECISION CO., LIMITED
 香港星洲工業精密有限公司

Authorized Signatures

MARK	DESCRIPTION	DATE	REVISED	APPROVED	UNSPECIFIED TOLERANCES
△ X					± 0.5
△ X					$16 < L \leq 63$
△ X					$4 < L \leq 16$
△ X					$L \leq 4$
					ANGULAR $\pm 5^\circ$

DSND	DATE	SCALE: N/A	MODEL TYPE: X1002WRS-XXL-LPSWHF
DWN	DATE <td>VIEW: </td> <td>PART NO.: 1.00 mm Crimp Shle Connectors</td>	VIEW:	PART NO.: 1.00 mm Crimp Shle Connectors
CHKD	DATE <td>UNIT: mm</td> <td>DWG NO.:</td>	UNIT: mm	DWG NO.:
APPD	DATE <td>SIZE: A4</td> <td>WEIGHT: 1.0g</td>	SIZE: A4	WEIGHT: 1.0g
			SHEET: 1/1
			REVISION: A0

Recommend PCB Layout



PART NO	Material	Material(Fin And Solder Tabs)	Finish(Fin And Solder Tabs)	Suitable XKB Terminal
X1002WRS-XXL-LPSWHF	PA46 UL 94V-0	Brass	Bright tin plating	X 1002HL
X1002WRS-XXL-LPSWHF	PA46 UL 94V-0	Brass	Bright tin plating	X 1002HL

Poles	Dimensions(mm)		Poles	Dimensions(mm)	
	A	B		C	A
02	1.00	4.00	10	9.00	12.00
03	2.00	5.00	11	10.00	13.00
04	3.00	6.00	12	11.00	14.00
05	4.00	7.00	13	12.00	15.00
06	5.00	8.00	14	13.00	16.00
07	6.00	9.00	15	14.00	17.00
08	7.00	10.00	16	15.00	18.00
09	8.00	11.00	20	19.00	22.00
					20.50

■ Specifications :

- Voltage rating: 50V AC / DC
- Current rating: 1A AC / DC
- Withstanding voltage: 500V AC/minute
- Temperature range: -25°C~+85°C
- Insulation resistance: ≥100MΩ
- Contact resistance: ≤20mΩ
- After environmental testing: ≤40mΩ

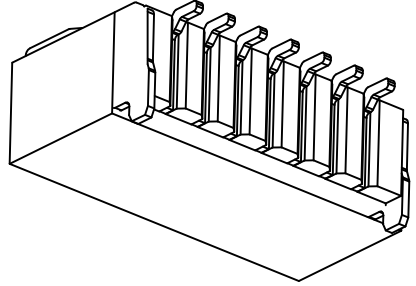
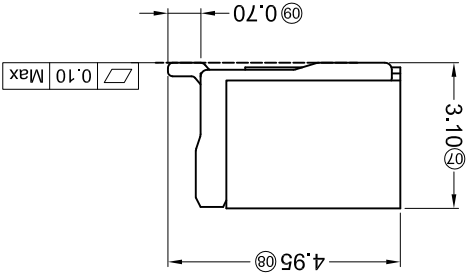
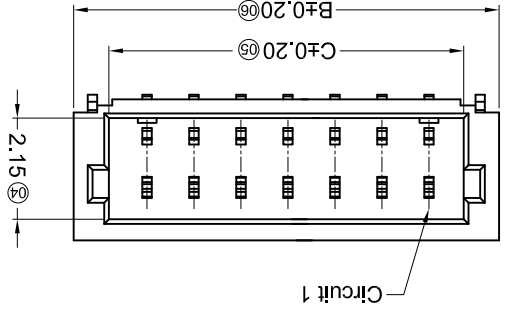
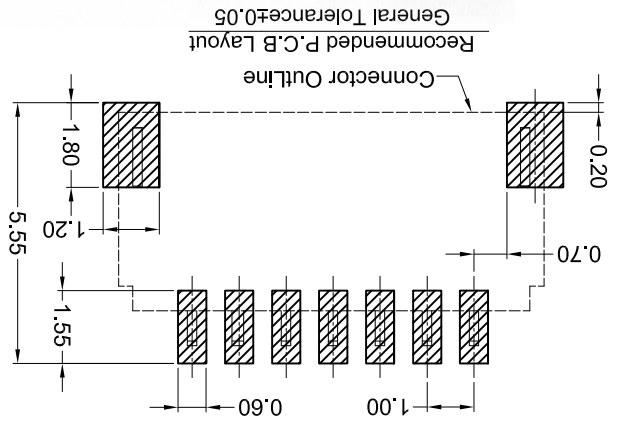
X1002 W R S-XX L-LPXX XX XX
 ① Series No.
 ② Category: W-water
 ③ Welding Board Angle: R-90°
 ④ Welding Way: S-SMT
 ⑤ Row No.-Pin No.: XX-02P~20P
 ⑥ Plug the Pin & Special No.: L-With Lock
 ⑦ Material: 6T-PA6T 94V-0; LP-LCP 94V-0;
 ⑧ 9T-PA9T 94V-0
 ⑨ Planting Category: SW-Matte Tin plating (Tin: 70u Min)
 ⑩ Color: Blank-natural color
 ⑪ HF-Halogen Free ; Blank-Halogen

For and on behalf of
XKB INDUSTRIAL PRECISION CO., LIMITED
 香港星坤工業精密有限公司

MARK	DESCRIPTION	DATE	REVISED	APPROVED	UNSPECIFIED TOLERANCES	
					L > 63	± 0.5
△ X					16 < L ≤ 63	± 0.4
△ X					4 < L ≤ 16	± 0.3
△ X					L ≤ 4	± 0.2
					ANGULAR	± 5°

REVISIONS	SIGNATURE(S)	
DATE	APPROVED	REVISED
DATE	APPROVED	REVISED
DATE	APPROVED	REVISED
DATE	APPROVED	REVISED

DSND	DATE	SCALE: N/A	MODEL TYPE: X1002WRS-XXE-LPSWHF
DWN	DATE	VIEW:	PART NO.: 1.00 mm Crimp Style Connectors
CHKD	DATE	UNIT: mm	DWG NO.:
APPD	DATE	SIZE: A4	WEIGHT: 1.0g
			SHEET: 1/1
			REVISION: A0



PART NO	Material	Material (Pth)	Material (Solder Tabs)	Finish (Pin and Solder Tabs)	Suitable XKB Terminal
X1002WRS-XXE-LPSWHF	LCP UL 94V-0	Phosphor Bronze	Brass	Gold Flash	X1002H-L
X1002WRS-XXE-LPV01	LCP UL 94V-0	Phosphor Bronze	Brass	Matte Tin	
X1002WRS-XXE-LPSWH	LCP UL 94V-0	Phosphor Bronze	Brass	Tin-Plated	

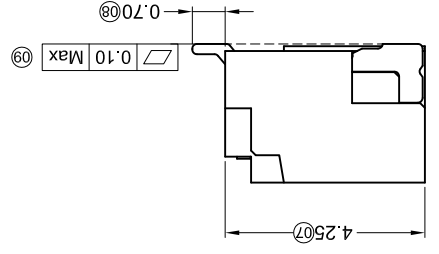
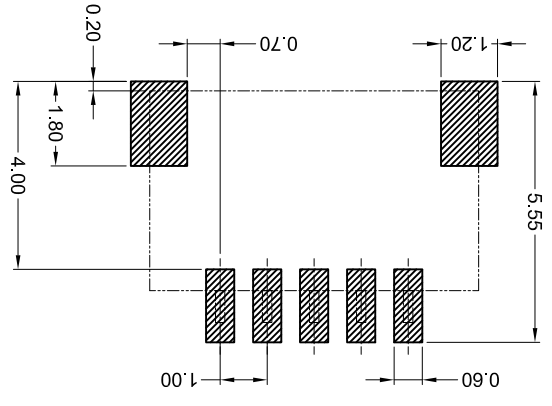
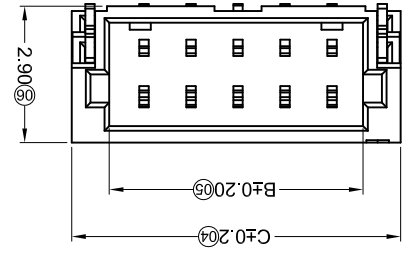
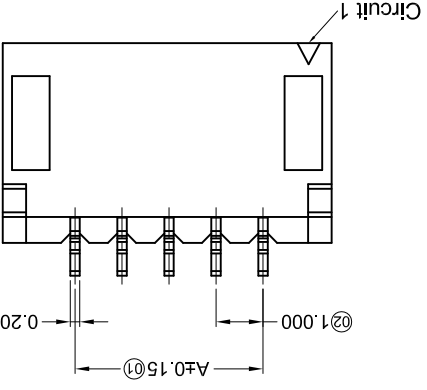
Poles	Dimensions(mm)		
	A	B	C
02	1.00	4.00	2.50
03	2.00	5.00	3.50
04	3.00	6.00	4.50
05	4.00	7.00	5.50
06	5.00	8.00	6.50
07	6.00	9.00	7.50
08	7.00	10.00	8.50
09	8.00	11.00	9.50
Poles			
A			
B			
C			
Dimensions(mm)			
10.50	13.00	11.00	12.00
11.50	14.00	11.00	13.00
12.50	15.00	12.00	14.00
13.50	16.00	13.00	15.00
14.50	17.00	14.00	16.00
15.50	18.00	15.00	17.00
16.50	19.00	16.00	18.00
17.50	20.00	17.00	19.00
18.50	21.00	18.00	20.00
19.50	22.00	19.00	21.00
20.50	23.00	20.00	22.00

- ① Series No.
 ② Category: W-wafer
 ③ Welding Board Angle: R-90°
 ④ Welding Way: S-SMT
 ⑤ Row No.-Pin No.: XX-02P~20P
 ⑥ Plug the Pin & Special No.: E-Ear clip
 ⑦ Material: LP-LCP 94V-0
 ⑧ Plating Category:
 V**:All Gold-Plated *01-Gold Flash
 SW-Fog Tin plating SN-Bright tin plating
 Color: Blank-natural color
 ⑩ HF-Halogen Free ; Blank-Halogen

- Specifications :
- Voltage rating: 50V AC / DC
 - Current rating: 1A AC / DC
 - Withstanding voltage: 500V AC/minute
 - Temperature range: -25°C~+85°C
 - Insulation resistance: ≥100MΩ
 - Contact resistance: ≤20mΩ
 - After environmental testing: ≤40mΩ

X1002 W R S-XX E-LP XX XX X

- ① ② ③ ④ ⑤ ⑥ ⑦ ⑧ ⑨ ⑩



Specifications :

- Voltage rating: 50V AC / DC
- Current rating: 1A AC / DC
- Withstanding voltage: 500V AC/minute
- Temperature range: -25°C~+85°C
- Insulation resistance: ≥100MΩ
- Contact resistance: ≤20mΩ
- After environmental testing: ≤40mΩ

X1002 W R S-XX X-LP SN XX

- Series No.
- Category: W-water
- Welding Board Angle: R- Right Angle 90°
- Welding Way: S-SMT
- Row No.-Pin No.: XX-02P~22P
- Plug the Pin & Special No.:
- Material: LCP-LCP 94V-0
- Planting Category: SN-Bright tin plating
- Color: Blank-Natural Color

Poles	Dimensions(mm)		
	A	B	C
02	1.00	2.40	4.00
03	2.00	3.40	5.00
04	3.00	4.40	6.00
05	4.00	5.40	7.00
06	5.00	6.40	8.00
07	6.00	7.40	9.00
08	7.00	8.40	10.00
09	8.00	9.40	11.00
10	9.00	10.40	12.00
11	10.00	11.40	13.00
Poles			
Dimensions(mm)			
A			
B			
C			

PART NO	Material	Material(Fin And Solder Tabs)	Finish(Fin And Solder Tabs)	Suitable XKB Terminal
X1002WRS-XX-LP-SN	LCP UL 94V-0	Phosphor Bronze	Tin-Plated	X-1002H

DATE	SCALE: N/A	MODEL TYPE: X1002WRS-XX-LP-SN
DNSD	VIEW:	PART NO.:
DWN	UNIT: mm	DWG NO.:
CHKD	DATE	1,00 mm Crimp Style Connectors
APPD	DATE	SIZE: A4
WEIGHT 1.0g		
SHEET 1/1		
REVISION A0		

DATE	APPROVED	REVISD	REVISIONS	Signature(s)
±5°	ANGULAR			
±0.2	L ≤ 4			
±0.3	4 < L ≤ 16			
±0.4	16 < L ≤ 63			
±0.5	L > 63			

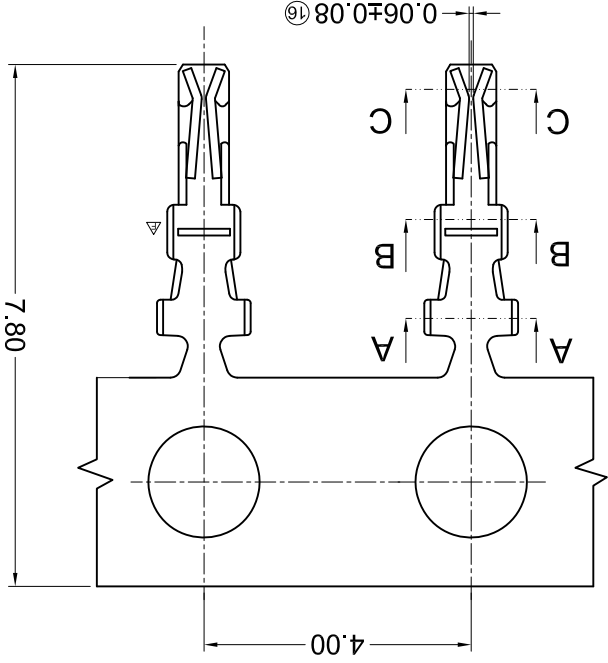
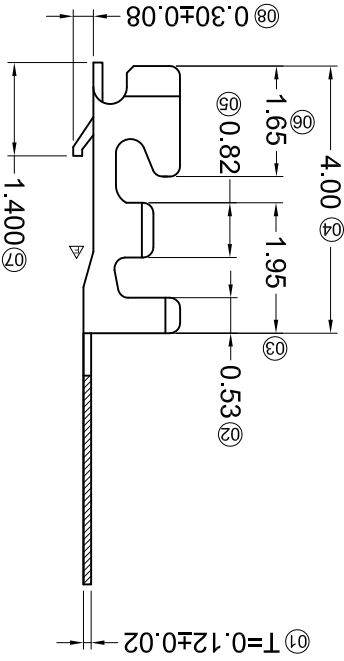
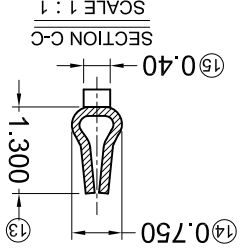
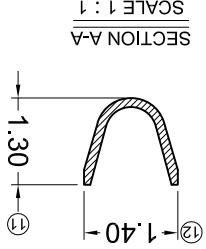
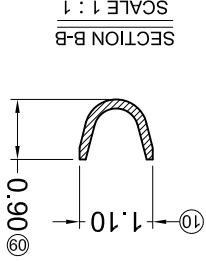
For and on behalf of
XKB INDUSTRIAL PRECISION CO., LIMITED
 香港星洲工業精密有限公司

For and on behalf of
XKB INDUSTRIAL PRECISION CO., LIMITED
 香港星洲工業精密有限公司

MARK	DESCRIPTION	DATE	REVISED	APPROVED	UNSPECIFIED TOLERANCES
△ X					L > 63
△ X					16 < L ≤ 63
△ X					4 < L ≤ 16
					L ≤ 4
					ANGULAR
					± 5°

REVISIONS	XKB INDUSTRIAL PRECISION CO., LIMITED				
APPD	DATE	SCALE: N/A	MODEL TYPE: X1002T-PXX	VIEW:	DATE
CHKD	DATE	UNIT: mm	PART NO.:	VIEW:	DATE
DWN	DATE	SCALE: N/A	MODEL TYPE: X1002T-PXX	VIEW:	DATE
		SIZE: A4	DWG NO.:		
		WEIGHT: 1.0g	SHEET: 1/1		
		REVISION: A0			

PART NO	Material	Wire Range	Insulation O.D.	Finish	Suitable XKB Terminal
X1002T-PV03	Phosphor Bronze AWG#26-32 0.80mm(Max)			Stamping Before Plating: 30-50u" Ni; 70-120u" Sn	X1002H
X1002T-PV01				Stamping Before Plating: 50u" Min. Ni; 120u" Sn Min.	
X1002T-FSN2				Stamping Before Plating: 50u" Min. Ni; 120u" Sn Min.	
X1002T-FSN				Stamping Before Plating: 30-50u" Ni; 70-120u" Sn	



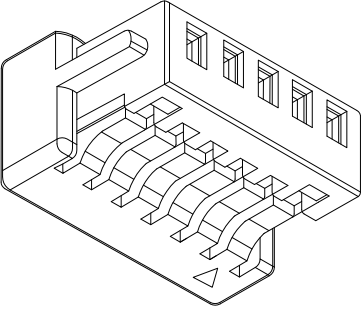
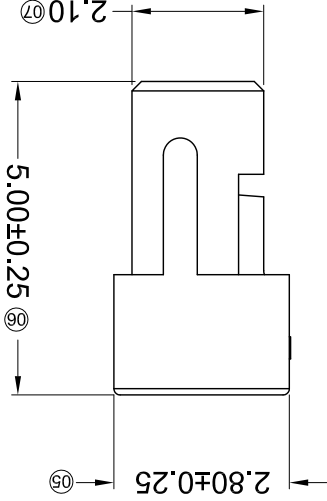
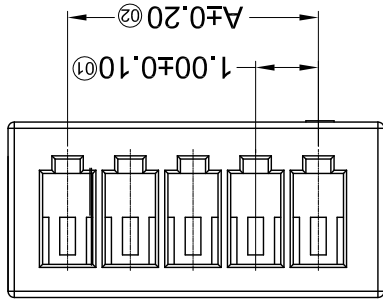
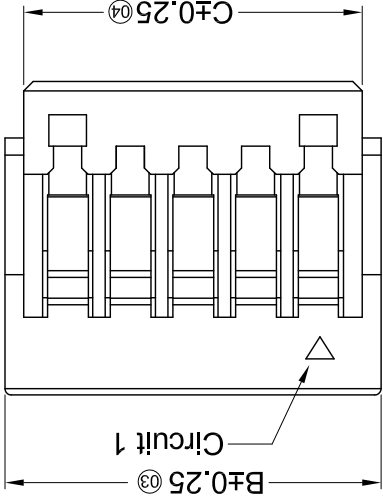
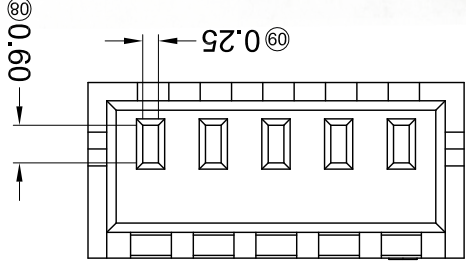
- Specifications :**
- Voltage rating: 50V AC / DC
 - Current rating: 1A AC / DC
 - Withstanding voltage: 500V AC/minute
 - Temperature range: -25°C~+85°C
 - Insulation resistance: ≥100MΩ
 - Contact resistance: ≤20mΩ
 - After environmental testing: ≤40mΩ
- Series Number: X1002 T X-P XX X-X
- ① ② ③ ④ ⑤ ⑥ ⑦
- ① Series Number
 - ② Category: T-terminal
 - ③ Shape: Blank-ordinary
 - ④ Material: P-Phosphor bronze
 - ⑤ Plating style: V*-All Gold-Plated ; *01-Gold Flash ; *03-3u" SN2-Bright tin plating 70-120u" SN2-Bright tin plating 120u"Min. Ni ; 50u" Min.
 - ⑥ Plating method: Blank-Stamping before plating
 - ⑦ B-Plating before stamping
 - ⑧ Mold No./Mark/Special No.

For and on behalf of
XKB INDUSTRIAL PRECISION CO., LIMITED
 香港星洲工業精密有限公司

REVISIONS
 Authorized Signatures(s)

MARK	DESCRIPTION	DATE	REVISED	APPROVED	UNSPECIFIED TOLERANCES
△ X					L > 63
△ X					16 < L ≤ 63
△ X					4 < L ≤ 16
					L ≤ 4
					ANGULAR
					± 5°

REVISION	SHEET	WEIGHT	1/1	1.0g	8
XKB INDUSTRIAL PRECISION CO., LIMITED					7
APPD	DATE	DATE	DATE	DATE	DATE
CHKD	DATE	DATE	DATE	DATE	DATE
DWN	DATE	DATE	DATE	DATE	DATE
DSND	DATE	DATE	DATE	DATE	DATE
MODEL TYPE: X1002H-XX-XXHF SCALE: N/A		VIEW:	UNIT: mm	SIZE: A4	
PART NO.:		DWG NO.:			
X1002H-XX-XXHF		1.00 mm Crimp Style Connectors			



PART NO	Material	Suitable XKB Terminal	Suitable XKB Terminal
X1002H-XX-PT	PBT UL 94V-0		Suitable XKB Terminal
X1002H-XX-N0	PA66 UL 94V-0		
X1002H-XX-N0HF	PA66 UL 94V-0 Halogen Free		

Poles	Dimensions(m)			Poles	Dimensions(m)		
	A	B	C		A	B	C
02	1.00	3.00	2.40	13	12.00	14.00	13.40
03	2.00	4.00	3.40	14	13.00	15.00	14.40
04	3.00	5.00	4.40	15	14.00	16.00	15.40
05	4.00	6.00	5.40	16	15.00	17.00	16.40
06	5.00	7.00	6.40	17	16.00	18.00	17.40
07	6.00	8.00	7.40	18	17.00	19.00	18.40
08	7.00	9.00	8.40	19	18.00	20.00	19.40
09	8.00	10.00	9.40	20	19.00	21.00	20.40
10	9.00	11.00	10.40	22	21.00	23.00	22.40
11	10.00	12.00	11.40	24	23.00	25.00	24.40
12	11.00	13.00	12.40				

- X1002 H X-XX X-XX XX XX
- ① Series No.
 - ② Category: H-HSG
 - ③ Welding Board Angle: Blank-ordinary
 - ④ Row No.-Pin No.: XX-02P~24P
 - ⑤ Plug the Pin & special No.
 - ⑥ Material: PT-PBT N0-PA66 94V-0
 - ⑦ Color: Blank-natural color
 - ⑧ HF-Halogen Free ; Blank- Halogen

- Specifications :
- Voltage rating: 50V AC / DC
 - Current rating: 1A AC / DC
 - Withstanding voltage: 500V AC/minute
 - Temperature range: -25°C~+85°C
 - Insulation resistance: ≥100MΩ
 - Contact resistance: ≤20mΩ
 - After environmental testing: ≤40mΩ

X-ON Electronics

Largest Supplier of Electrical and Electronic Components

Click to view similar products for [Headers & Wire Housings](#) category:

Click to view products by [XKB](#) manufacturer:

Other Similar products are found below :

[95000-104TRLF](#) [10135584-644402LF](#) [DF62W-EP2022PCA](#) [95000-106TRLF](#) [DF62W-2022SCA](#) [DF62W-EP2022PC](#) [2203348](#) [DF62W-2022SC](#) [1084018](#) [1029039](#) [1084017](#) [802-10-012-10-002000](#) [1112640](#) [1112639](#) [891-007-9SS-BST1T](#) [000-34000](#) [0008550134](#) [0009482033](#) [0009507031](#) [57102-F02-18ULF](#) [57102-S06-03LF](#) [57202-S52-04LF](#) [PCN6-15S-2.5E](#) [0039019024](#) [58102-G61-06LF](#) [582553-1](#) [0009485154](#) [0009508121](#) [0022285053](#) [0050291907](#) [018731A](#) [LY20-4P-DT1-P1E-BR](#) [02.125.8002.8](#) [60101931](#) [60598-1 \(Cut Strip\)](#) [M1625-3R/100](#) [61062-3](#) [61082-181009](#) [CSU011177004](#) [636-1427](#) [638009-1](#) [641938-9](#) [641991-4](#) [644168-1](#) [644827-2](#) [647662-1](#) [65039-019ELF](#) [65692-001LF](#) [65781-018](#) [65781-047](#)