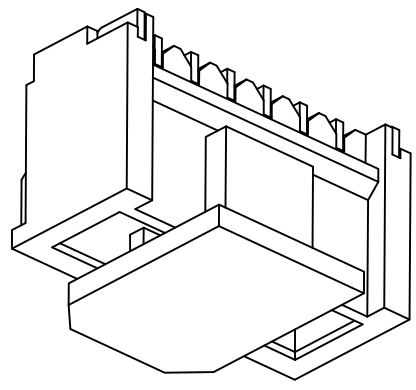
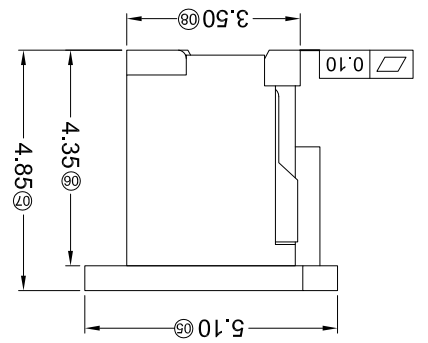
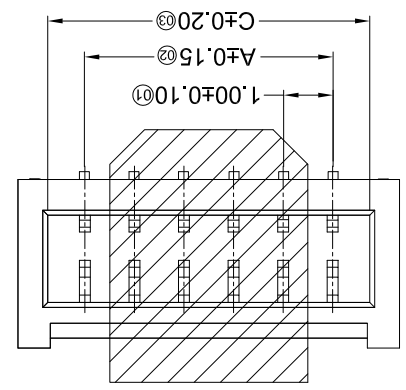
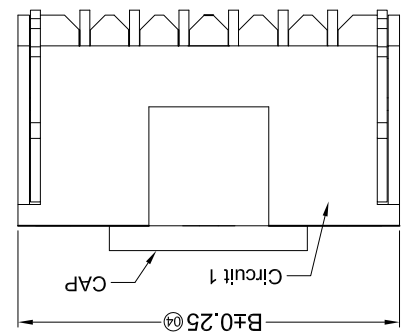
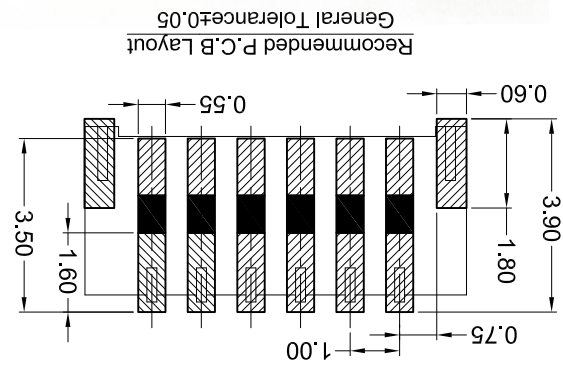


For and on behalf of
XKB INDUSTRIAL PRECISION CO., LIMITED
 香港星坤工業精密有限公司
 REVISIONS
 Authorized Signatures(s)

MARK	DESCRIPTION	DATE	REVISD	APPROVED	UNSPCIFIED TOLERANCES
△ X					± 0.5
△ X					$16 > L \leq 63$
△ X					$4 < L \leq 16$
					$L \leq 4$
					± 0.2
					ANGULAR
					$\pm 5^\circ$

DATE	SCALE: N/A	MODEL TYPE: X1002W/S-XXB-XXXX	VIEW:	DATE	DATE	DATE	SIZE: A4	WEIGHT: 1.0g	SHEET: 1/1	REVISION: A0
DNSD										
DWN										
CHKD										
APPD										



PART NO	Material (Ph And Solder Cap)	Material (Ph And Solder Tabs)	Finish (Ph And Solder Tabs)	Suitable XKB Terminal
X1002W/S-XXB-9T-SN	PA 9T UL 94V-0		Thi-Plated	1002HB
X1002W/S-XXB-9T-SW	PA 9T UL 94V-0		Thi-Plated	
X1002W/S-XXB-HT-SW	HTN PA6T UL 94V-0		Matte Thi Plating	
X1002W/S-XXB-1T-SW	PA10T UL 94V-0		Matte Thi Plating	
PA9T UL 94V-0				
X1002W/S-XXBHF-9T-SW				

Poles	A	B	C	Dimensions(mm)
02	1.00	3.70	2.50	12.50
03	2.00	4.70	3.50	13.50
04	3.00	5.70	4.50	14.50
05	4.00	6.70	5.50	15.50
06	5.00	7.70	6.50	16.50
07	6.00	8.70	7.50	17.50
08	7.00	9.70	8.50	18.50
09	8.00	10.70	9.50	19.50
10	9.00	11.70	10.50	20.50
11	10.00	12.70	11.50	20.50

① Series No.
 ② Category: W-water
 ③ Welding Board Angle: V-Stright Angle 180°
 ④ Welding Way: S-SMT
 ⑤ Row No.-Pin No.: XX-02P~20P
 ⑥ Plug the Pin & Special NO:
 B-With ultra-thin and With Lock;
 HF-Halgen Free
 ⑦ Material: 9T-PA9T ; HT-HTN 6T ; 1T-PA10T
 ⑧ Planting Category:
 SN-Bright tin plating 70"Min.; 30" NI
 SW-Matte Thi plating 70"Min.; 30" NI
 ⑨ Color: Blank-Natural color

X1002 W V S-XX B-XX XX XX

① ② ③ ④ ⑤ ⑥ ⑦ ⑧ ⑨

- Specifications :
- Voltage rating: 125V AC / DC
 - Current rating: 1A AC / DC
 - Withstanding voltage: 500V AC/minute
 - Temperature range: -25°C~+85°C
 - Insulation resistance: $\geq 100M\Omega$
 - Contact resistance: $\leq 20m\Omega$
 - After environmental testing: $\leq 40m\Omega$

For and on behalf of
XKB INDUSTRIAL PRECISION CO., LIMITED
 香港星洲工業精密有限公司

REVISIONS
 Authorized Signatures(s)

MARK	DESCRIPTION	DATE	REVISED	APPROVED	UNSPECIFIED TOLERANCES
△ X					± 0.5
△ X					$16 > L \leq 63$
△ X					$4 < L \leq 16$
					$L \leq 4$
					± 0.2
					ANGULAR $\pm 5^\circ$

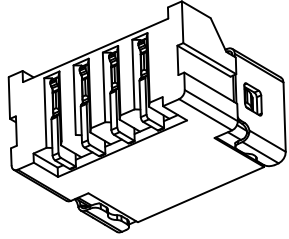
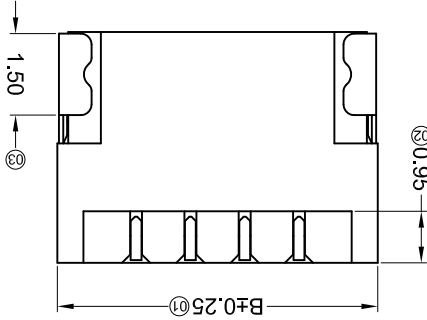
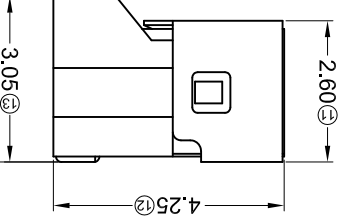
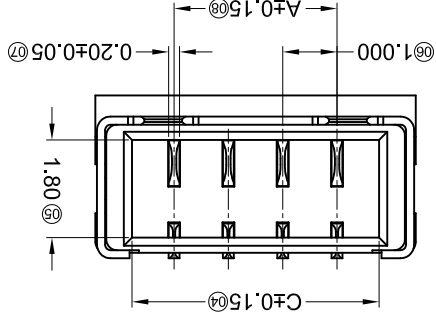
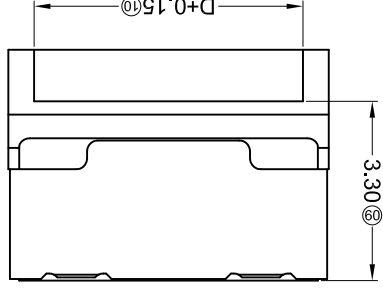
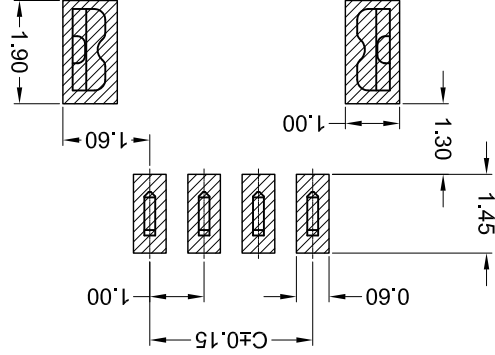
REVISION	SHEET	WEIGHT	1/1	1.0g	8
A0					

DATE	SCALE: N/A	MODEL TYPE: X1002WRS-XXBS-LPSW
DNSD		
DWN		
CHKD		
APPD		

DATE	VIEW:	PART NO.: X1002WRS-XXBS-LPSW

DATE	UNIT: mm	SIZE: A4

Recommended P.C.B Layout
 General Tolerance ± 0.05



Poles	Dimensions (mm)			
	A	B	C	D
03	2.00	4.90	3.50	3.95
04	3.00	5.90	4.50	4.95
06	5.00	7.90	6.50	6.95
12	11.00	13.90	12.50	12.95

- Series No. ①
 Category: W-water ②
 Welding Board Angle: R- Right Angle 90° ③
 Welding Way: S-SMT ④
 Row No.-Pin No.: XX-Single Row ⑤
 Plug the Pin & Special NO: ⑥
 B-With ultra-thin and With Lock: ⑦
 S-With Shell ⑧
 Material: LP-LCP 94V-0 ⑨
 Planting Category: SW-Matte Tin plating ⑩
 Color: Blank-Natural color ⑪

X1002 W R S-XX BS-LP SW XX

- Specifications :
- Voltage rating: 125V AC / DC
 - Current rating: 1A AC / DC
 - Withstanding voltage: 500V AC/minute
 - Temperature range: -25°C~+85°C
 - Insulation resistance: $\geq 100M\Omega$
 - Contact resistance: $\leq 20m\Omega$
 - After environmental testing: $\leq 40m\Omega$

PART NO	Material(Water)	Material(Pin)	Finish(Pin)	Material(Shell)	Finish(Shell)	Suitable XKB
X1002WRS-XXBS-LPSW	LCP 94V-0	Phosphor Bronze	Matte Plating	Alloy Steel	Nickel Plating	1002H-B

REVISIONS									
MARK	DESCRIPTION	DATE	REVISED	APPROVED	UNSPECIFIED TOLERANCES	REVISIONS <i>(Authorized Signatures)</i>			
△ X					L > 63	±0.5			
△ X					16 < L ≤ 63	±0.4			
△ X					4 < L ≤ 16	±0.3			
△ X					L ≤ 4	±0.2			
					ANGULAR	±5°			

For and on behalf of
KXB INDUSTRIAL PRECISION CO., LIMITED
 香港星洲工業精密有限公司

DSND	DATE	SCALE: N/A	MODEL TYPE: X1002WRS-XXB-XXSW
DWN	DATE	VIEW:	PART NO.:
CHKD	DATE	UNIT: mm	DWG NO.:
APPD	DATE	SIZE: A4	

PART NO	Material	(Pin And Solder Tabs) (Pin And Solder Tabs)	Finish
X1002WRS-XXBH-F9T5W	PA9T UL 94V-0	PA9T UL 94V-0	Tri-Plated
X1002WRS-XXB-HT5W	HTN 6T UL 94V-0	PA9T UL 94V-0	Matte Tin Plating
X1002WRS-XXB-T15W	PA 10T UL 94V-0	PA9T UL 94V-0	
X1002WRS-XXB-9T5W	Phorpos Bronze		
X1002WRS-XXB-9T5W	PA 9T UL 94V-0		
X1002WRS-XXB-9T5N	PA 9T UL 94V-0		

Poles	Dimensions (mm)		
	A	B	C
11	10.00	12.90	11.50
10	9.00	11.90	10.50
09	8.00	10.90	9.50
08	7.00	9.90	8.50
07	6.00	8.90	7.50
06	5.00	7.90	6.50
05	4.00	6.90	5.50
04	3.00	5.90	4.50
03	2.00	4.90	3.50
02	1.00	3.90	2.50
C	A	B	C
Poles	Dimensions (mm)		
	A	B	C
11	19.00	21.90	20.50
10	18.00	20.90	19.50
09	17.00	19.90	18.50
08	16.00	18.90	17.50
07	15.00	17.90	16.50
06	14.00	16.90	15.50
05	13.00	15.90	14.50
04	12.00	14.90	13.50
03	11.00	13.90	12.50
C	A	B	C

Specifications :

- Voltage rating: 125V AC / DC
- Current rating: 1A AC / DC
- Withstanding voltage: 500V AC/minute
- Temperature range: -25°C~+85°C
- Insulation resistance: ≥100MΩ
- Contact resistance: ≤20mΩ
- After environmental testing: ≤40mΩ

① Series No.

② Category: W-water

③ Welding Board Angle: R- Right Angle 90°

④ Welding Way: S-SMT

⑤ Row No.-Pin No.: XX-02P~20P

⑥ Plug the Pin & Special NO.: B-Ultra-thin With Lock

⑦ HF-Halogen Free

⑧ Material: 9T-PA9T ; 1T-PA10T ; HT-TN 6T 94V-0

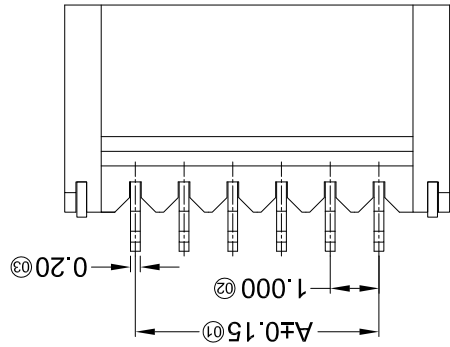
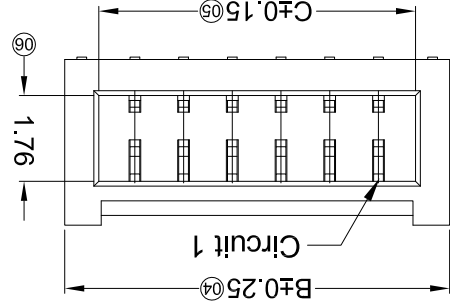
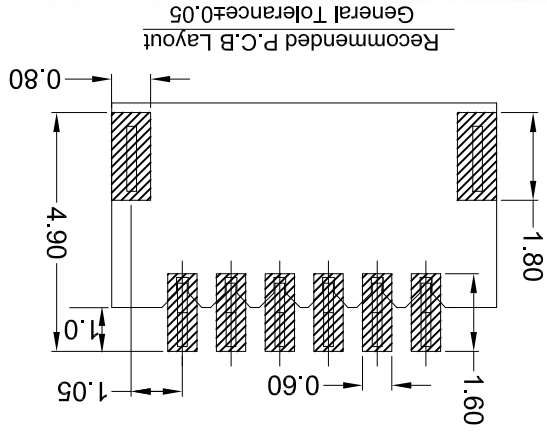
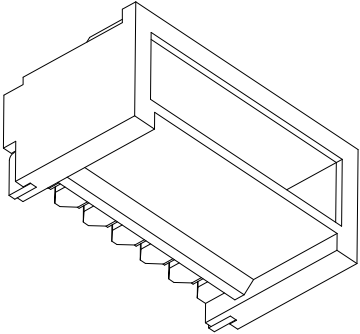
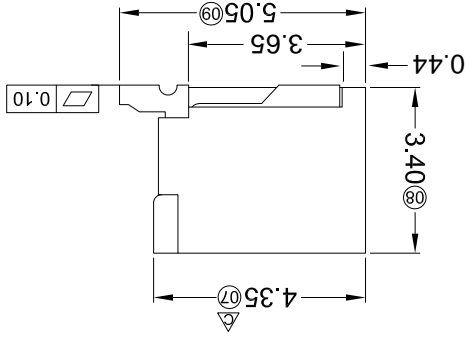
⑨ Plating Category:

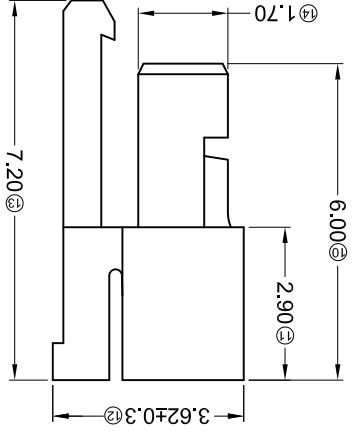
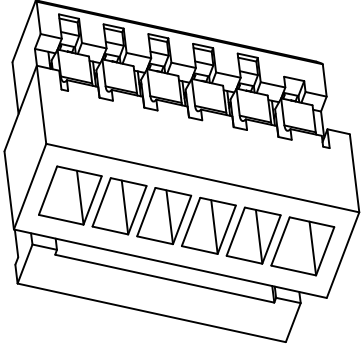
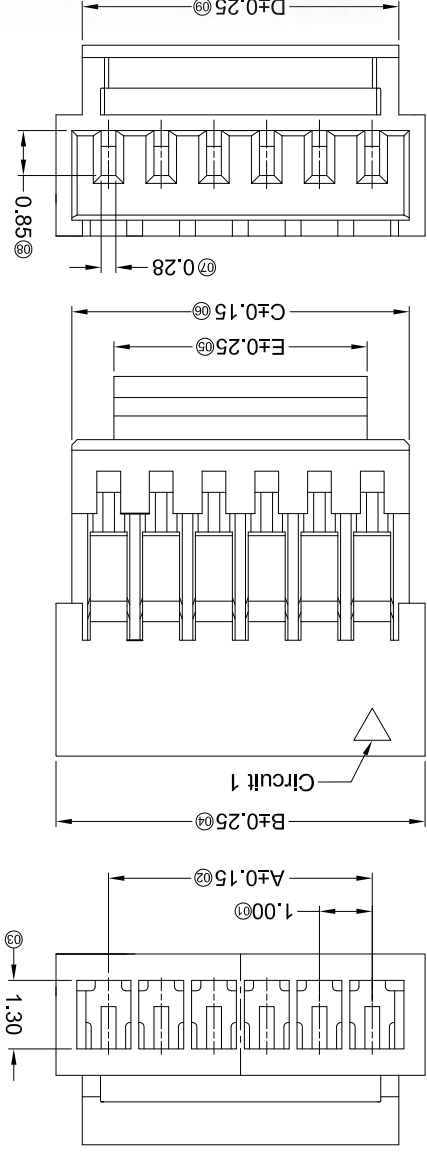
SN-Bright tin plating 70" Min.; 30" Ni Min.

SW-Matte Tin plating 70" Min.; 30" Ni Min.

⑩ Color: Blank-Natural color

X1002 W R S-XX B HF-XX XX XX





Poles	Dimensions(mm)				
	A	B	C	D	E
06	5.00	7.00	6.40	6.00	4.80
07	6.00	8.00	7.40	6.00	4.80
08	7.00	9.00	8.40	6.00	4.80
09	8.00	10.00	9.40	6.00	4.80
10	9.00	11.00	10.40	6.00	4.80
11	10.00	12.00	11.40	6.00	4.80
12	11.00	13.00	12.40	6.00	4.80
13	12.00	14.00	13.40	6.00	4.80
14	13.00	15.00	14.40	6.00	4.80
15	14.00	16.00	15.40	6.00	4.80
16	15.00	17.00	16.40	6.00	4.80
17	16.00	18.00	17.40	6.00	4.80
18	17.00	19.00	18.40	6.00	4.80
19	18.00	20.00	19.40	6.00	4.80
20	19.00	21.00	20.40	6.00	4.80

- ① Series No.
 ② Category: H-HSG
 ③ Row No.-Pin No.: XX-02P~20P
 ④ Plug the Pin & special No.:
 B4-Ultra-thin hook,6.00mm
 ⑤ Material: NO-PA66 94V-0
 ⑥ Color: Blank-Natural Color
 ⑦ HF-Halogen Free

- Specifications :**
 • Voltage rating: 125 AC / DC
 • Current rating: 1A AC / DC
 • Withstanding voltage: 500V AC/minute
 • Temperature range: -25°C~+85°C
 • Insulation resistance: ≥100MΩ
 • Contact resistance: ≤20mΩ
 • After environmental testing: ≤40mΩ

PART NO	Material	Suitable XKB Terminal	Suitable XKB
X1002H-XXB4-N0HF	PA66 UL 94V-0 Halogen Free	1002T-A	1002W

DSNL DATE SCALE: N/A MODEL TYPE: X1002H-XXB4-N0HF		DWN DATE VIEW: PART NO.: 1.00 mm Crimp Style Connectors		CHKD DATE UNIT: mm DWG NO.:		APPD DATE SIZE: A4		REVISIONS UNspecified TOLERANCES	
MARK	DESCRIPTION	DATE	REVISD	APPROVED	UNSPecIFIED TOLERANCES	DATE	REVISD	APPROVED	UNSPecIFIED TOLERANCES
△ X					L > 63				L > 63
△ X					16 < L ≤ 63				16 < L ≤ 63
△ X					4 < L ≤ 16				4 < L ≤ 16
△ X					L ≤ 4				L ≤ 4
					ANGULAR				ANGULAR
					±5°				±5°

For and on behalf of
XKB INDUSTRIAL PRECISION CO., LIMITED
 香港星坤工業精密有限公司
 Authorized Signatures(s)

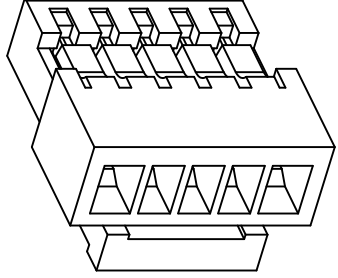
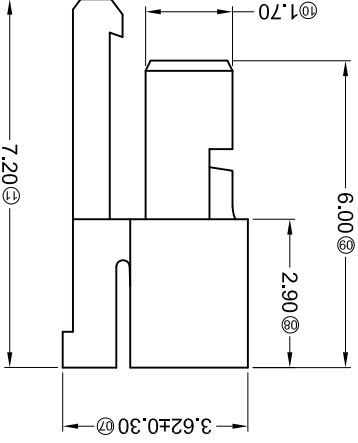
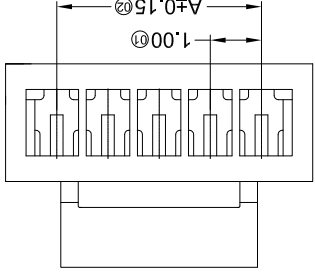
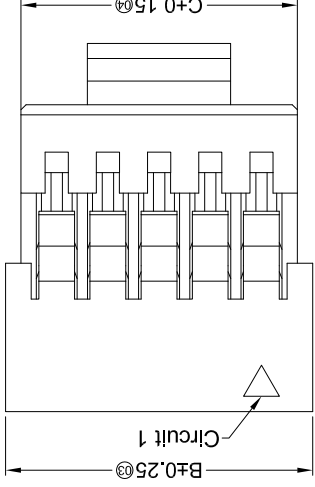
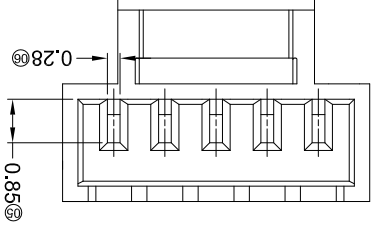
WEIGHT	SHEET	REVISION
1.0g	1/1	A0

For and on behalf of
XKB INDUSTRIAL PRECISION CO., LIMITED
 香港星坤工業精密有限公司

MARK	DESCRIPTION	DATE	REVISED	APPROVED	UNSPECIFIED TOLERANCES
△ X					L > 63 ± 0.5
△ X					16 < L ≤ 63 ± 0.4
△ X					4 < L ≤ 16 ± 0.3
					L ≤ 4 ± 0.2
					ANGULAR ± 5°

Authorized Signatures

DSND	DATE	SCALE: N/A	MODEL TYPE: X1002H-XXB2-N0HF
DWN	DATE <td>VIEW: </td> <td>PART NO.:</td>	VIEW:	PART NO.:
CHKD	DATE <td>UNIT: mm</td> <td>DWG NO.:</td>	UNIT: mm	DWG NO.:
APPD	DATE <td>SIZE: A4</td> <td></td>	SIZE: A4	
			WEIGHT 1.0g
			SHEET 1/1
			REVISION A0



PART NO	Material	Suitable XKB Terminal	Suitable K B
X1002H-XXB2-N0HF	PA66 UL 94V-0 Halogen Free	1002T-A	1002W
X1002H-XXB2-N0	PA66 UL 94V-0	1002T-A	1002W



Poles	Dimensions(mm)		
	A	B	C
02	1.00	3.00	2.40
03	2.00	4.00	3.40
04	3.00	5.00	4.40
05	4.00	6.00	5.40
06	5.00	7.00	6.40
07	6.00	8.00	7.40
08	7.00	9.00	8.40
09	8.00	10.00	9.40
10	9.00	11.00	10.40
11	10.00	12.00	11.40

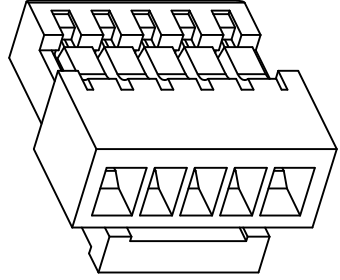
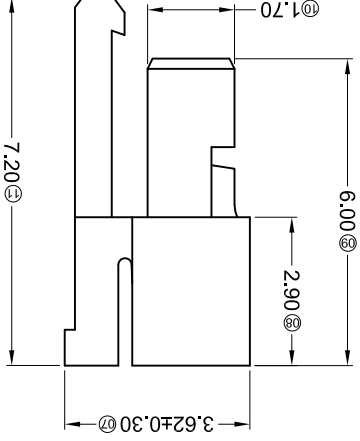
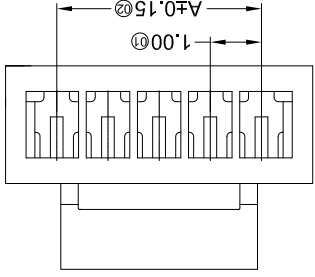
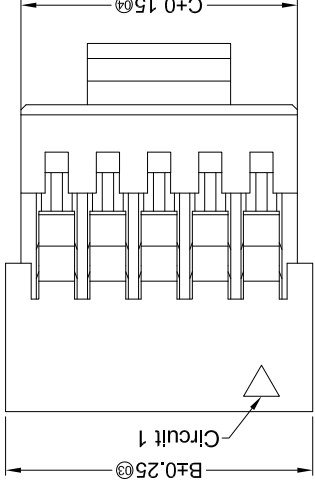
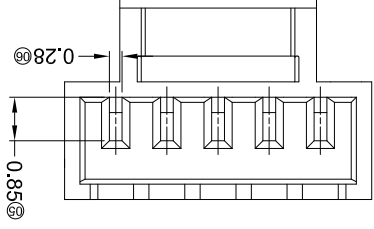
- Specifications :**
- Voltage rating: 125 AC / DC
 - Current rating: 1A AC / DC
 - Withstanding voltage: 500V AC/minute
 - Temperature range: -25°C~+85°C
 - Insulation resistance: ≥100MΩ
 - Contact resistance: ≤20mΩ
 - After environmental testing: ≤40mΩ
- X1002 H-XX B2-N0 XX HF
- ① Series No. ② Category: H-HSG ③ Row No.-Pin No.: XX-02P~20P
 ④ Plug the Pin & special No.: B2-Ultra-thin hook ⑤ Material: N0-PA66 94V-0
 ⑥ Color: Blank-Natural Color ⑦ HF-Halogen Free

For and on behalf of
XKB INDUSTRIAL PRECISION CO., LIMITED
 香港星坤工業精密有限公司

REVISIONS
 Authorized Signature(s)

MARK	DESCRIPTION	DATE	REVISED	APPROVED	UNSPECIFIED TOLERANCES
△ X					±0.5
△ X					16 < L ≤ 63
△ X					4 < L ≤ 16
△ X					L ≤ 4
					ANGULAR ±5°

DSND	DATE	SCALE: N/A	MODEL TYPE: X1002H-XXB-N0HF
APPD	DATE <td>SIZE: A4</td> <td></td>	SIZE: A4	
CHKD	DATE <td>UNIT: mm</td> <td>DWG NO.:</td>	UNIT: mm	DWG NO.:
DWN	DATE <td>VIEW: </td> <td>PART NO.:</td>	VIEW: 	PART NO.:
			1,00 mm Crimp Style Connectors
			WEIGHT 1.0g
			SHEET 1/1
			REVISION A0

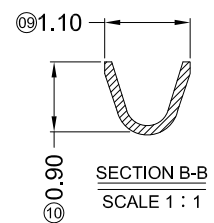
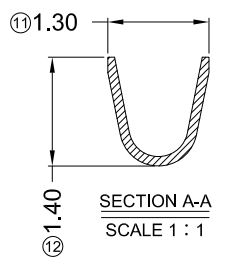
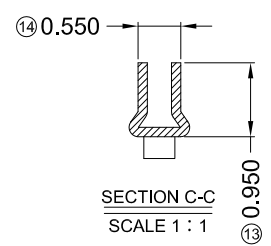
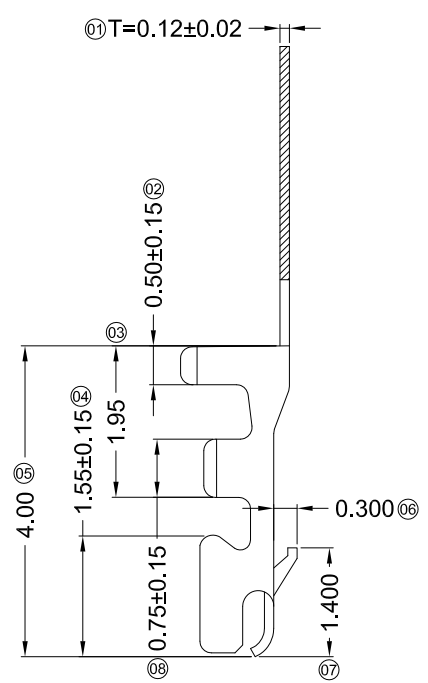
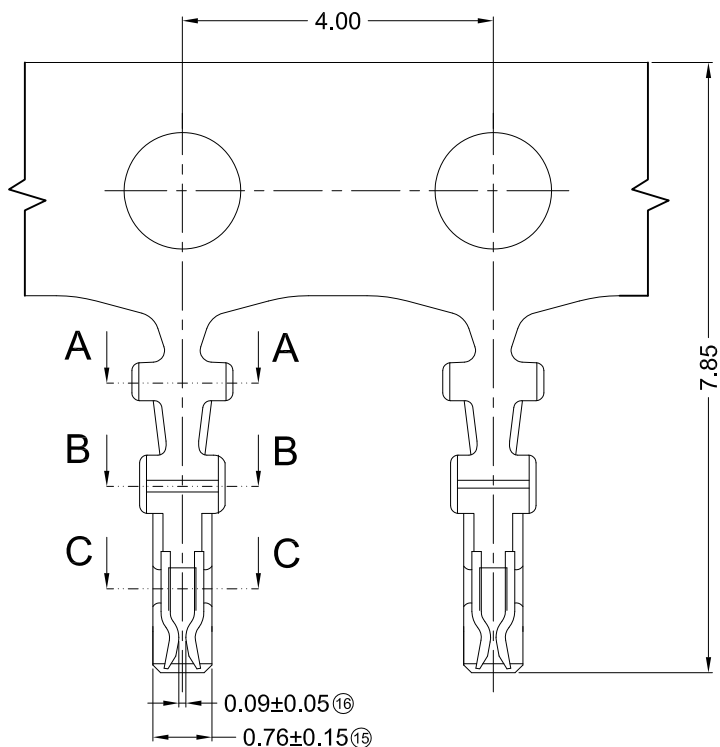


PART NO	Material	Suitable XKB Terminal	Suitable XKB
X1002H-XXB-N0	PA66 UL 94V-0	1002T-A	1002W
X1002H-XXB-N0HF	PA66 UL 94V-0 Halogen Free	1002T-A	1002W

Poles	Dimensions(mm)		
	A	B	C
02	1.00	3.00	2.40
03	2.00	4.00	3.40
04	3.00	5.00	4.40
05	4.00	6.00	5.40
06	5.00	7.00	6.40
07	6.00	8.00	7.40
08	7.00	9.00	8.40
09	8.00	10.00	9.40
10	9.00	11.00	10.40
11	10.00	12.00	11.40

① Series No.
 ② Category: H-HSG
 ③ Row No.-Pin No.: XX-02P~20P
 ④ Plug the Pin & special No.: B-Ultra-thin hook
 ⑤ Material: N0-PA66 94V-0
 ⑥ Color: Blank-Natural Color
 ⑦ HF-Halogen Free

- Specifications :
- Voltage rating: 125 AC / DC
 - Current rating: 1A AC / DC
 - Withstanding voltage: 500V AC/minute
 - Temperature range: -25°C~+85°C
 - Insulation resistance: ≥100MΩ
 - Contact resistance: ≤20mΩ
 - After environmental testing: ≤40mΩ



- Specifications :
- Voltage rating: 125V AC / DC
 - Current rating: 1A AC / DC
 - Withstanding voltage: 500V AC/minute
 - Temperature range: -25°C~+85°C
 - Insulation resistance: ≥100MΩ
 - Contact resistance: ≤20mΩ
 - After environmental testing: ≤40mΩ

X1002 T X-P XX X

- ① Series Number
 ② Category: T-terminal
 ③ Shape: Blank-ordinary
 ④ Material: P-Phosphor bronze
 ⑤ Plating Style:
 V01-All Gold Flash
 SN-Bright tin plating 70u" ; 30u" Ni
 SN2-50u" Ni Min, 120u" Tin Min
 ⑥ Plating method: Blank-Stamping before plating

X1002T-PSN2	Phospho Bronze	AWG#28-32	0.92mm	Stamping Before Plating:50u" Min Ni ; 120u"Sn Min	1002H-A, 1002H-B
X1002T-PV01				Stamping Before Plating:30u" Ni ; Whole Gold :Gold Flash	
X1002T-PSN				Stamping Before Plating:30u" Ni ; 70u"Sn	
PART NO	Material	Wire Range	Insulation O.D.	Finish	Suitable XKB Terminal

For and on behalf of
XKB INDUSTRIAL PRECISION CO., LIMITED
香港星坤工業精密有限公司

△ X					ANGULAR	±5°
△ X					L ≤ 4	±0.2
△ X					4 < L ≤ 16	±0.3
MARK	DESCRIPTION	DATE	REVISED	APPROVED	16 < L ≤ 63	±0.4
					L > 63	±0.5
REVISIONS					UNSPECIFIED TOLERANCES	
Authorized Signature(s)					XKB INDUSTRIAL PRECISION CO., LIMITED	

DSND		DATE		SCALE: N/A	MODEL TYPE:
DWN		DATE		VIEW:	1.00 mm Crimp Style Connectors
CHKD		DATE		UNIT: mm	PART NO.:
APPD		DATE		SIZE: A4	X1002T-PXX
					DWG NO.:
				WEIGHT	SHEET
				1.0g	1/1
				REVISION	A0

X-ON Electronics

Largest Supplier of Electrical and Electronic Components

Click to view similar products for [Headers & Wire Housings](#) category:

Click to view products by [XKB](#) manufacturer:

Other Similar products are found below :

[95000-104TRLF](#) [10135584-644402LF](#) [DF62W-EP2022PCA](#) [95000-106TRLF](#) [DF62W-2022SCA](#) [DF62W-EP2022PC](#) [2203348](#) [DF62W-2022SC](#) [1084018](#) [1029039](#) [1084017](#) [802-10-012-10-002000](#) [1112640](#) [1112639](#) [891-007-9SS-BST1T](#) [000-34000](#) [0008550134](#) [0009482033](#) [0009507031](#) [57102-F02-18ULF](#) [57102-S06-03LF](#) [57202-S52-04LF](#) [PCN6-15S-2.5E](#) [0039019024](#) [58102-G61-06LF](#) [582553-1](#) [0009485154](#) [0009508121](#) [0022285053](#) [0050291907](#) [018731A](#) [LY20-4P-DT1-P1E-BR](#) [02.125.8002.8](#) [60101931](#) [60598-1 \(Cut Strip\)](#) [M1625-3R/100](#) [61062-3](#) [61082-181009](#) [CSU011177004](#) [636-1427](#) [638009-1](#) [641938-9](#) [641991-4](#) [644168-1](#) [644827-2](#) [647662-1](#) [65039-019ELF](#) [65692-001LF](#) [65781-018](#) [65781-047](#)